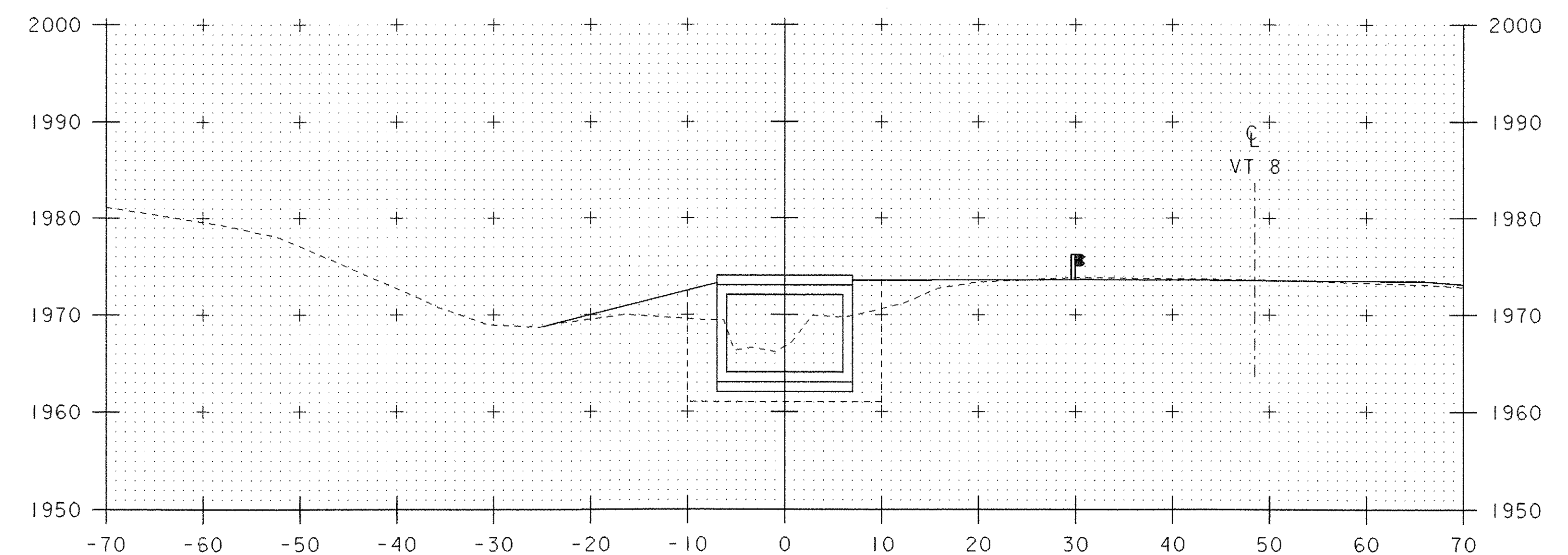
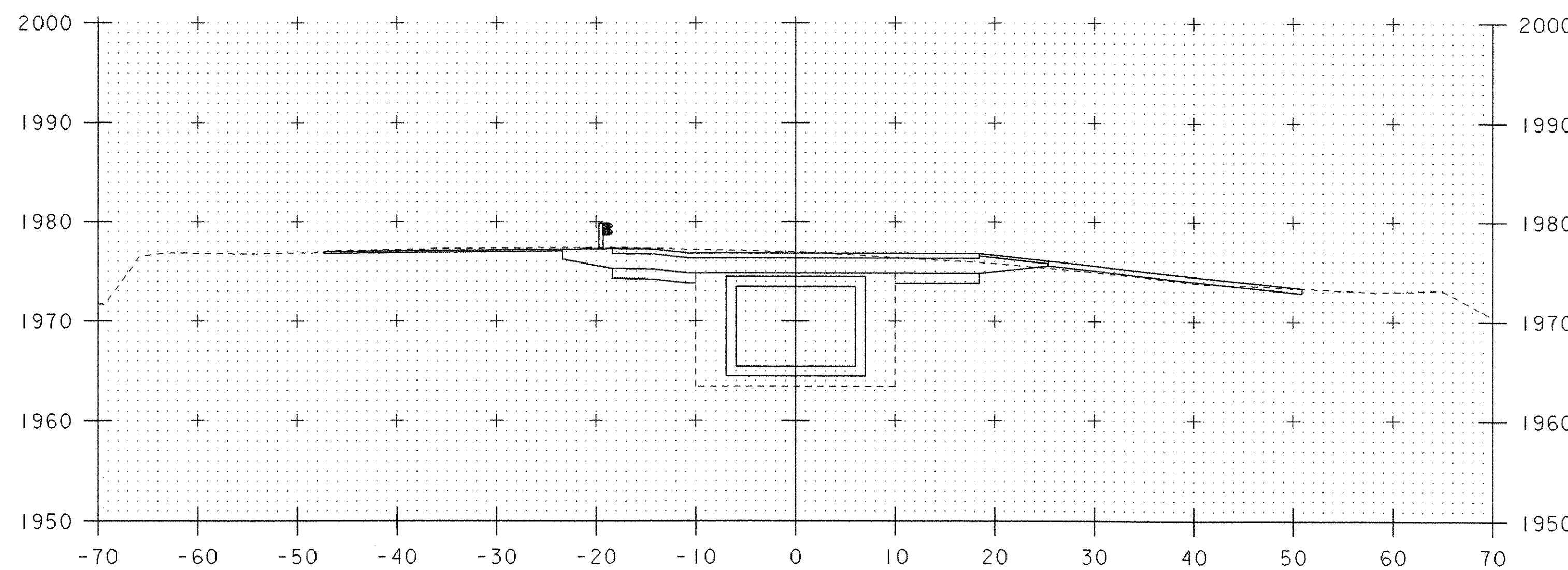


STA 11+66.00 LT
 END STONE FILL TYPE II
 END GEOTEXTILE UNDER STONE FILL
 END GRUBBING MATERIAL
 END UNCLASSIFIED CHANNEL EXCAVATION

STA 11+78.00 RT
 END STONE FILL TYPE II
 END GEOTEXTILE UNDER STONE FILL
 END GRUBBING MATERIAL
 END UNCLASSIFIED CHANNEL EXCAVATION



STA 11+50.97 LT & RT
 BEGIN STONE FILL TYPE II FOR CHANNEL STABILIZATION
 BEGIN GEOTEXTILE UNDER STONE FILL
 BEGIN GRUBBING MATERIAL
 BEGIN UNCLASSIFIED CHANNEL EXCAVATION

SCALE 1" = 10'-0"

PROJECT: READSBORO	PROJECT NO.: ST CULV (4)
DESIGN FILE NAME: 04c176/structures/s04c176xs.dgn	PLOT DATE: 18-JUL-2006
IPARM FILE NAME: s04c176ch2.i	DRAWN BY: E.L.RUSTAY
DESIGNED BY: E.L.RUSTAY	CHECKED BY: M.GAGULIC
SQUAD LEADER: C.P.WILLIAMS	SHEET: 28 OF 39
CHANNEL STA. 11+00 TO STA. 11+75	