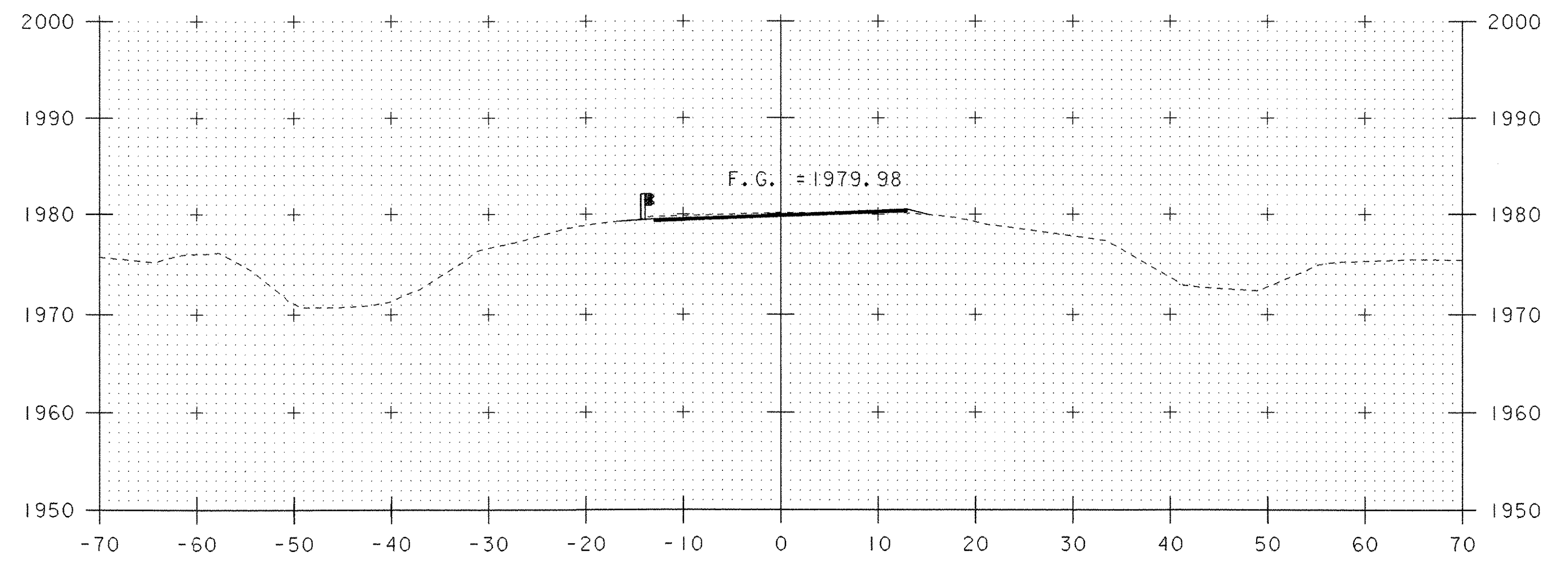
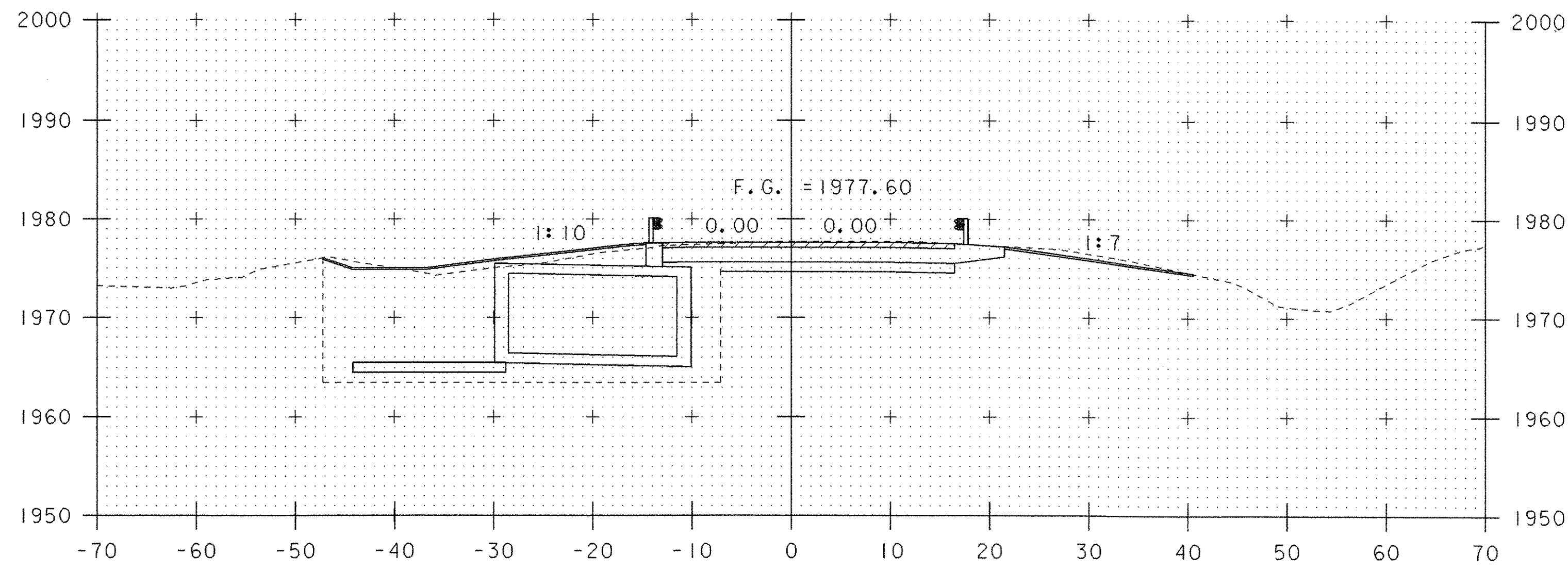


71+75

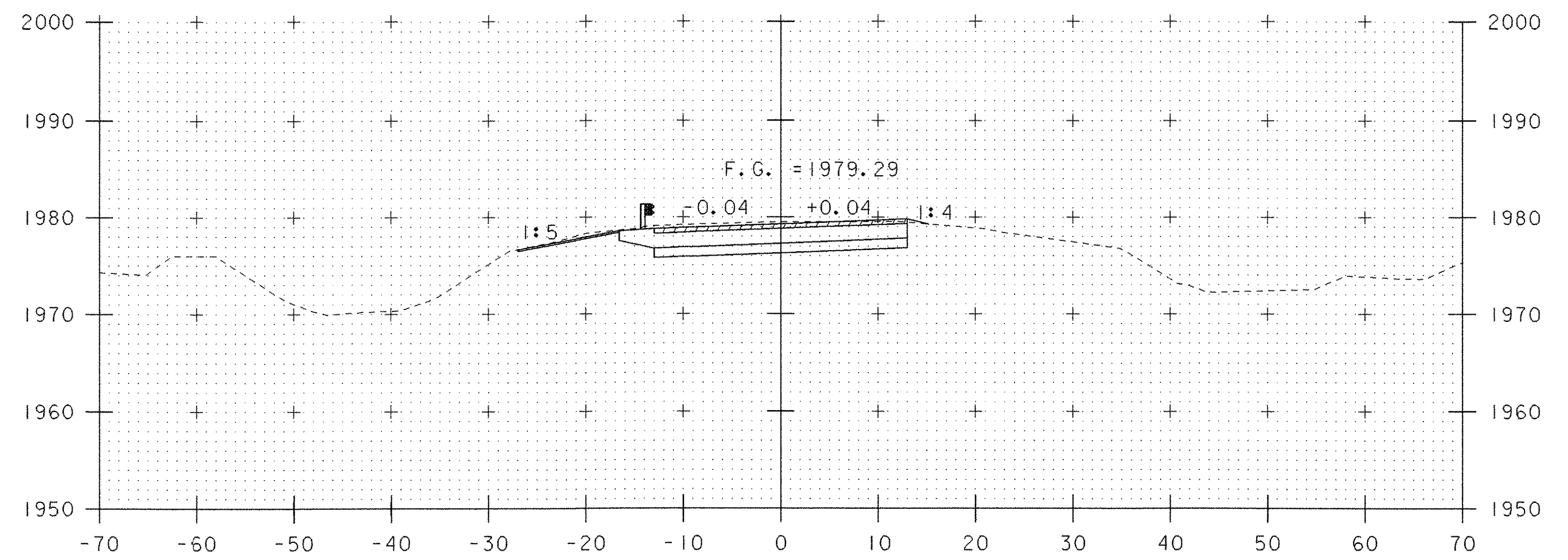


72+25



71+50

STA 71+56.16 LI  
INLET INVERT ELEV = 1968.500



72+00

END PROJECT

PROJECT: READSBORO	PROJECT NO.: ST CULV (4)
DESIGN FILE NAME: 04c176/structures/s04c176xs.dgn	PLOT DATE: 18-JUL-2006
IPARM FILE NAME: s04c176m13.i	DRAWN BY: M.FESSEL
DESIGNED BY: E.L.RUSTAY	CHECKED BY: E.L.RUSTAY
SQUAD LEADER: C.P.WILLIAMS	SHEET: 25 OF 39
ML STA. 71+50 TO STA. 72+25	

