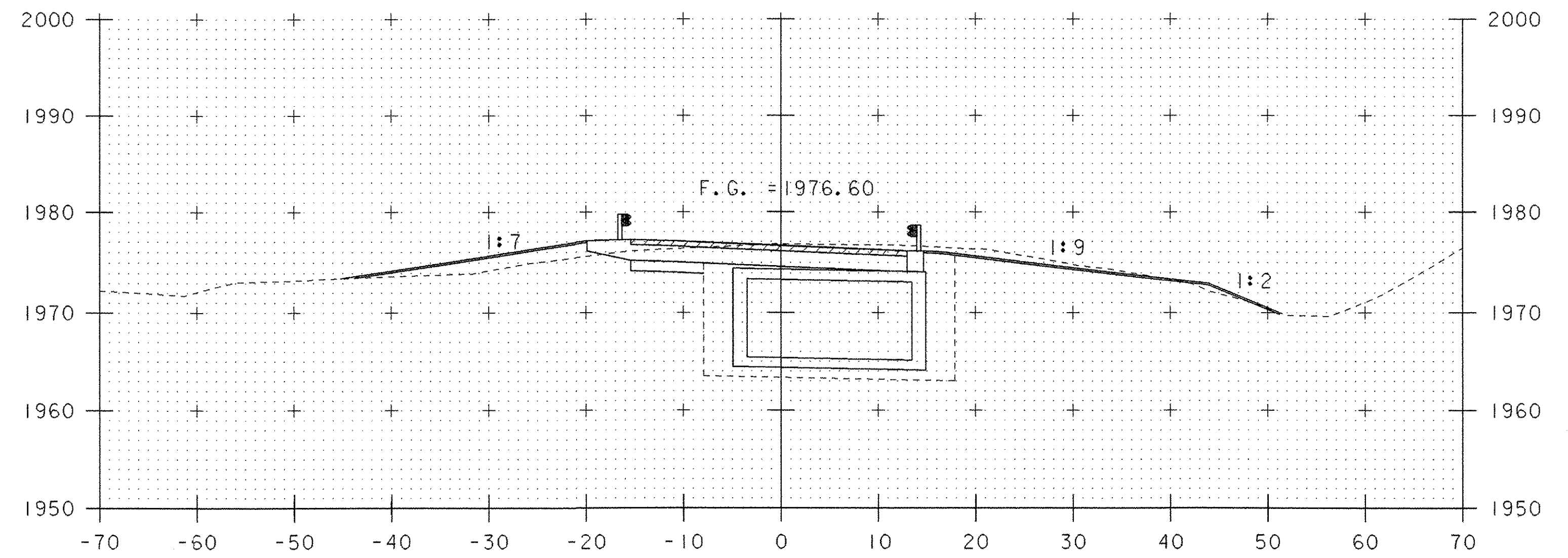
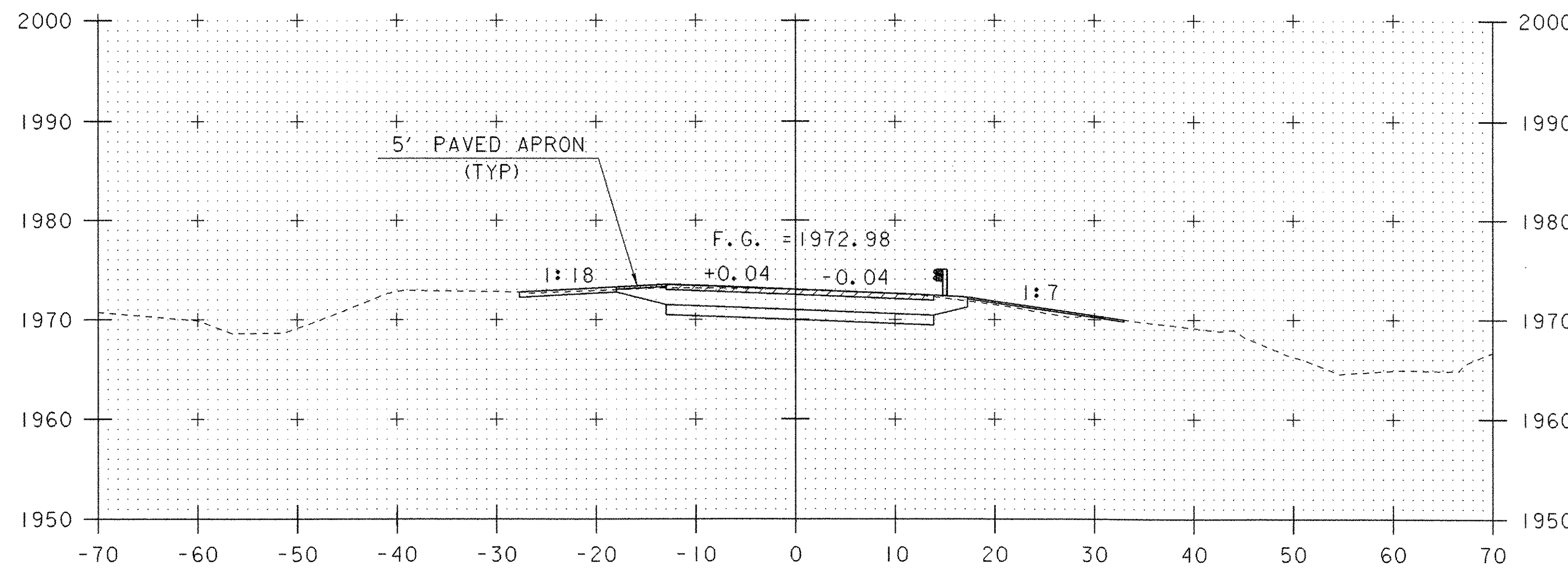


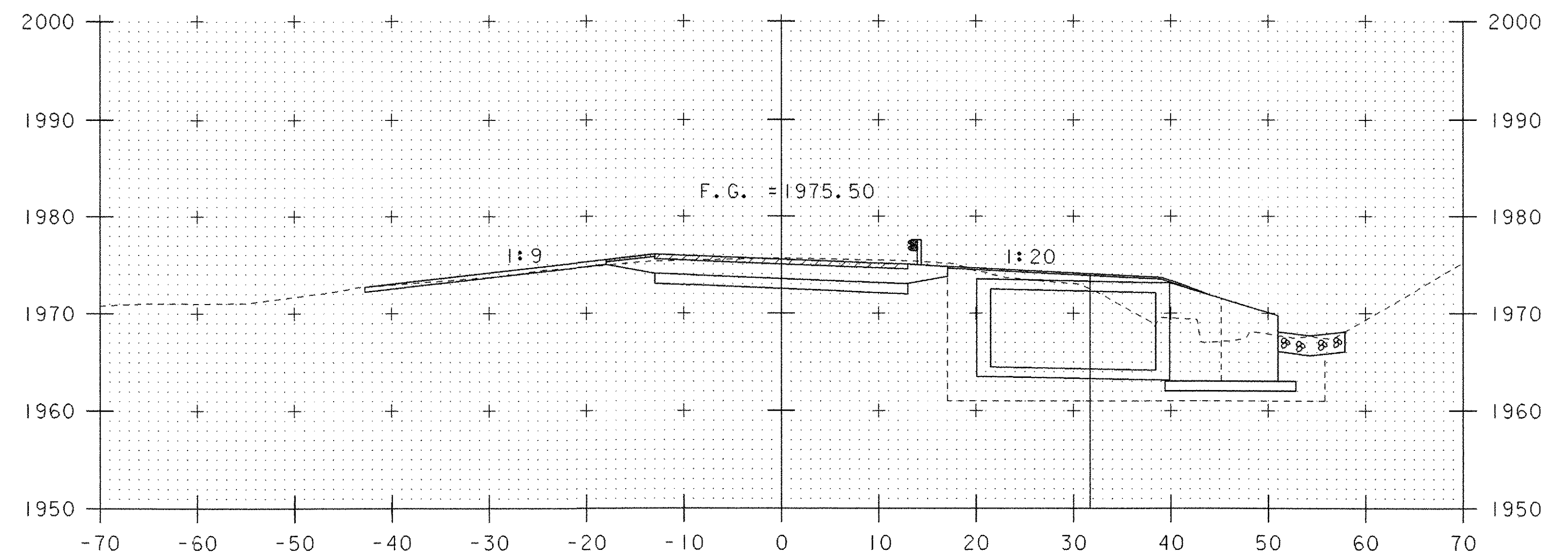
70+75



71+25

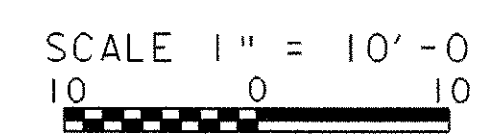


70+50  
BEGIN PROJECT



71+00

STA 70+93.79 RT  
OUTLET INVERT ELEV = 1966.000



PROJECT: READSBORO	PROJECT NO.: ST CULV (4)
DESIGN FILE NAME: 04c176/structures/s04c176xs.dgn	PLOT DATE: 18-JUL-2006
IPARM FILE NAME: s04c176m12.i	DRAWN BY: M.FESSEL
DESIGNED BY: E.L.RUSTAY	CHECKED BY: M.GAGULIC
SQUAD LEADER: C.P.WILLIAMS	SHEET: 24 OF 39
ML STA. 70+50 TO STA. 71+25	