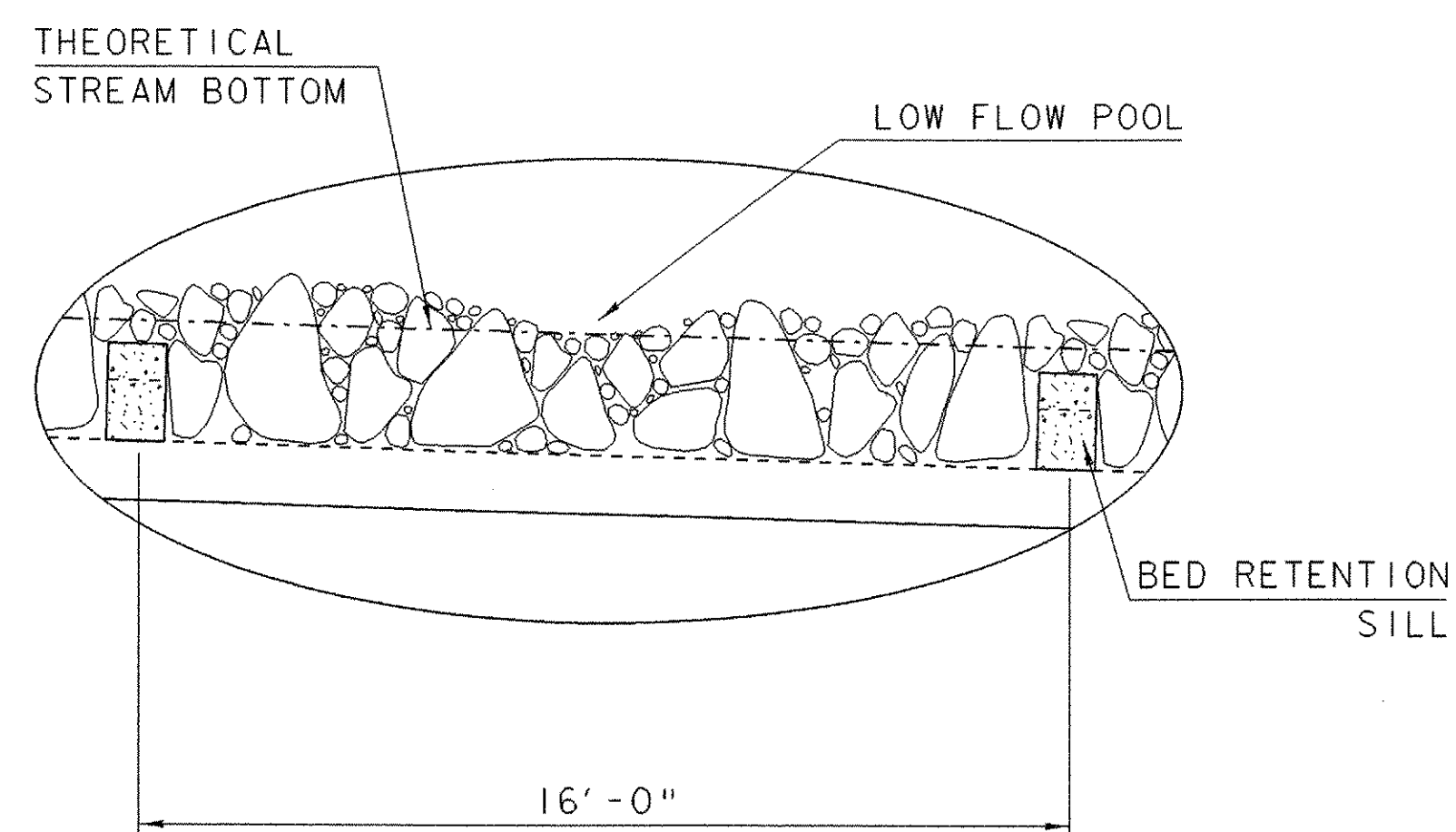


STONE FILL TYPICAL LAYOUT

SCALE 1" = 3'-0"

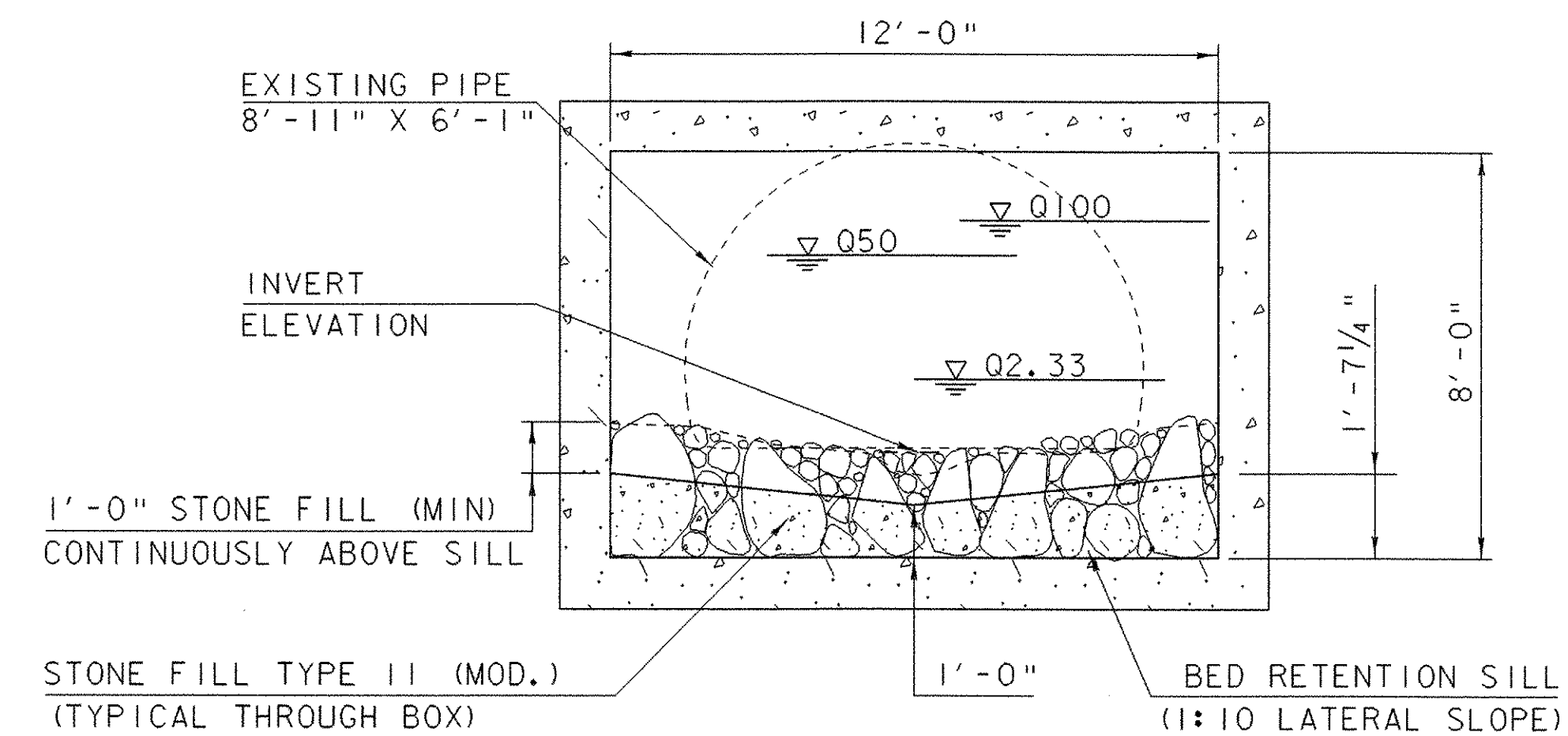
STONE FILL NOTES:

1. LARGE ROCKS (STONE FILL TYPE II (MOD.)) SHALL BE LOCATED IN ROCK BANDS PLACED IMMEDIATELY UPSTREAM OF THE BED RETENTION SILLS.
2. LARGE ROCKS (STONE FILL TYPE II (MOD.)) SHALL BE LOCATED THE LENGTH OF THE BOX ALONG BOTH WALLS.
3. STONE FILL SHALL BE INSTALLED AT 1:10 SLOPES TO BOX CENTERLINE AND TO A DEPTH OF ONE FOOT ABOVE THE CREST OF THE BED RETENTION SILLS.
4. STONE FILL OVER THE REMAINING BOX BED SHALL CONSIST OF TYPE II (MOD.) STONE WELL CHINKED WITH SMALLER STONE MATERIALS PROPORTIONATELY REPRESENTATIVE OF ALL PARTICLE SIZE CLASSES OF THE NATURAL STREAM BED LOCATED UPSTREAM OF THE PROJECT. THE LARGER STONE WILL BE WELL-CHINKED WITH FINE MATERIALS TO PREVENT SUBSURFACE FLOW. CHINK MATERIALS WILL BE POWER WASHED IN PLACE TO MAXIMIZE PENETRATION AND COMPACTION.



SECTION C

SCALE 1" = 3'-0"

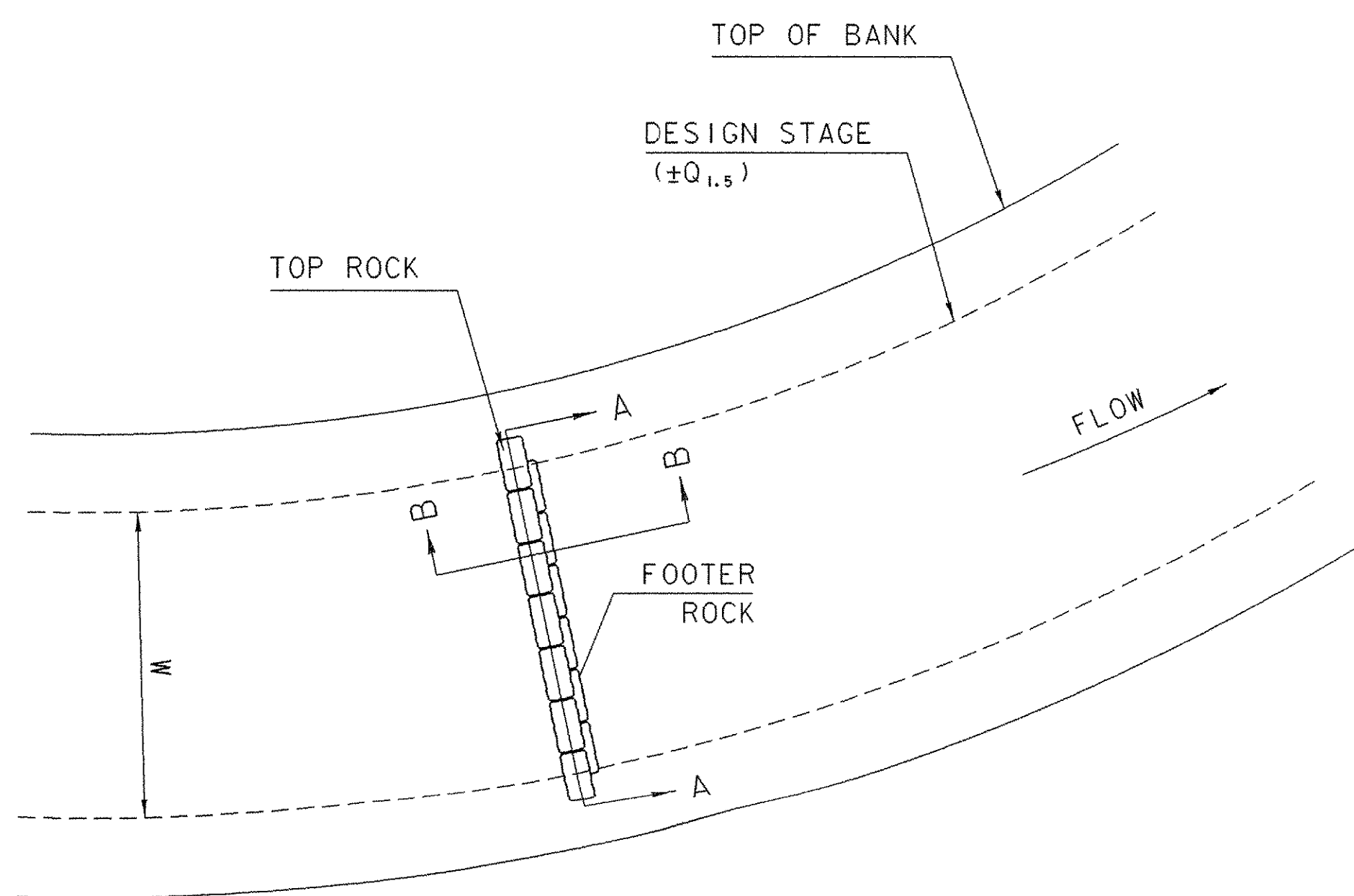


PRECAST CONCRETE BOX CROSS SECTION

SCALE 1" = 3'-0"

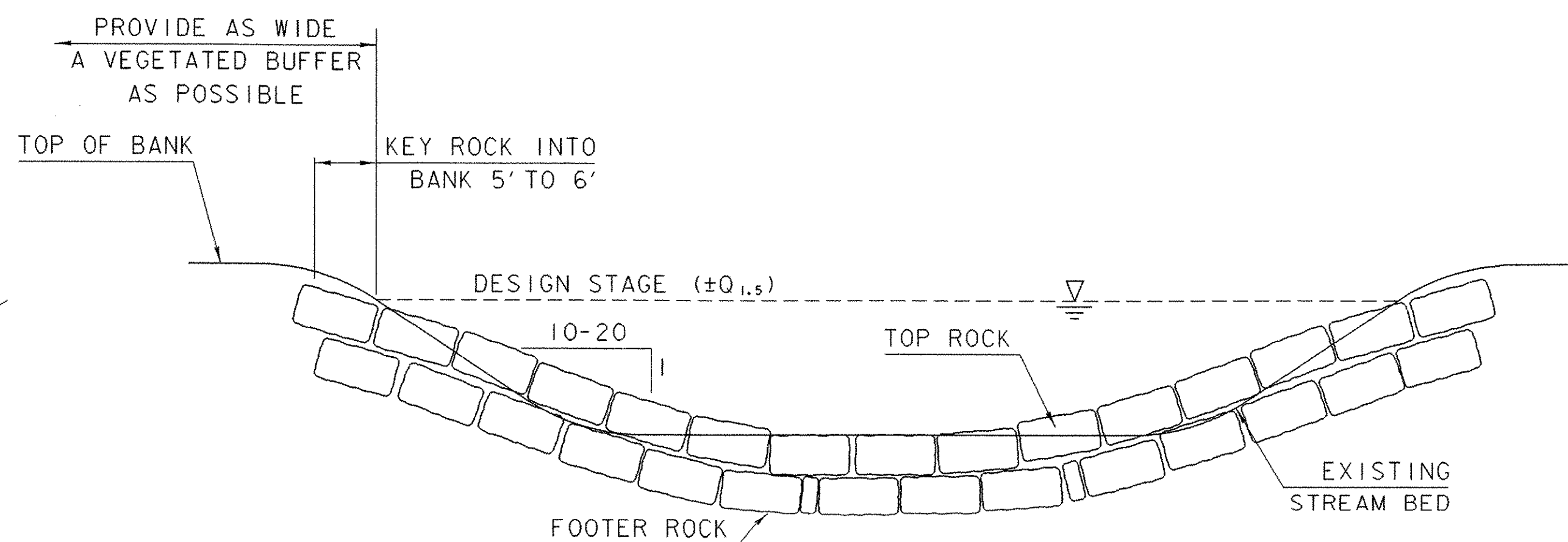
ROCK WEIR NOTES:

1. ASSURE COMPATIBILITY OF STRUCTURE WITH PLAN FORM LOCATION, ASSOCIATED BED FEATURES, AND CHANNEL LONGITUDINAL SLOPE.
2. ROCK MATERIAL SPECIFICATION:
 - A. BLASTED OR QUARRIED, SOUND LEDGE.
 - B. AT LEAST 2 DIMENSIONS >36" AND AT LEAST 1 DIMENSION >48"
 - C. ROCK VANE TO BE WELL CHINKED
3. CHINK MATERIAL SPECIFICATION:
 - A. 6"-12" COBBLE OR BLASTED ROCK
4. ROCK WEIRS AND THEIR CONSTRUCTION SHALL BE PAID FOR UNDER ITEM 613.13: STONE FILL TYPE IV (MOD.)



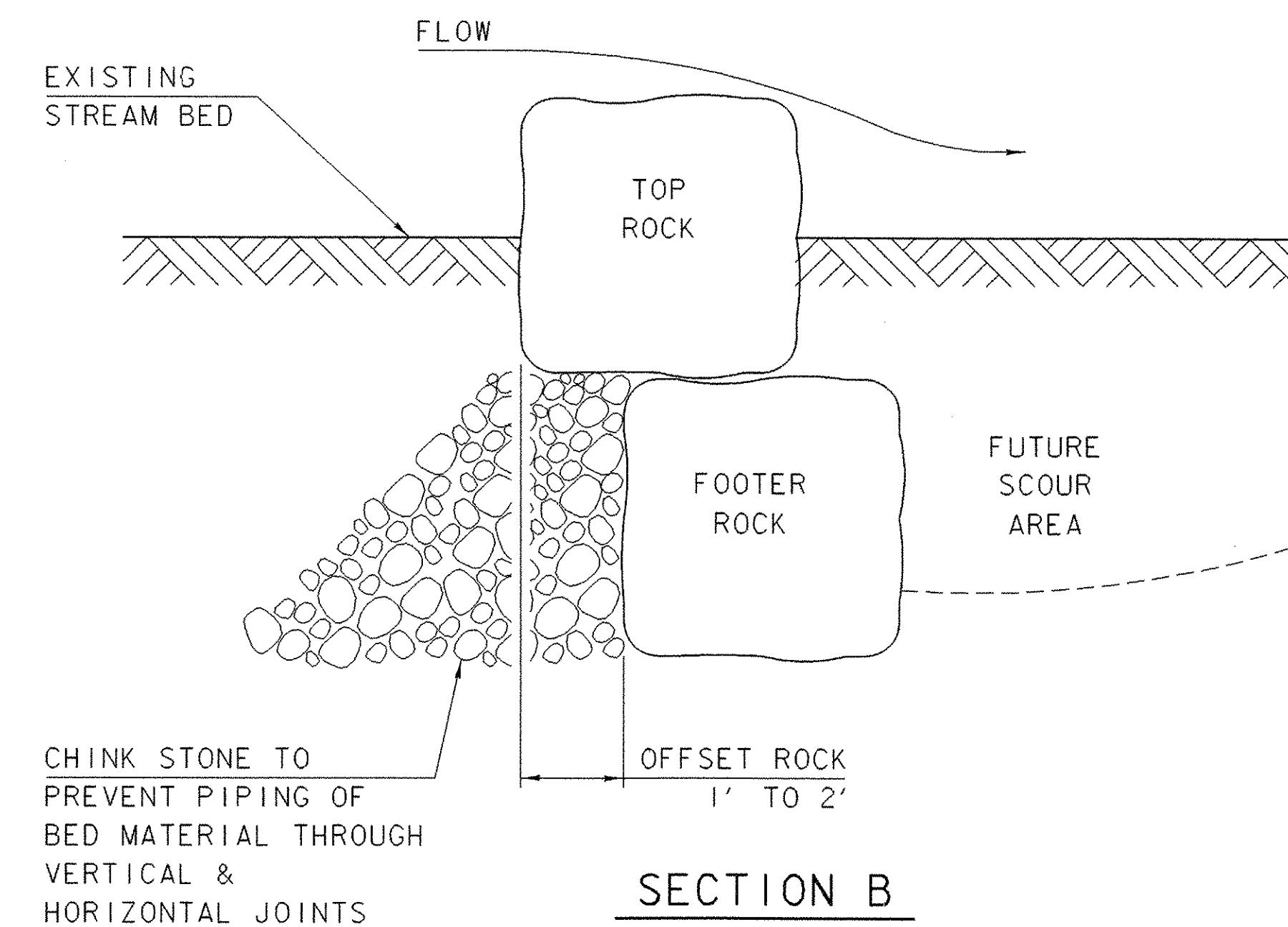
ROCK WEIR TYPICAL PLAN VIEW

NTS



SECTION A

NTS



SECTION B

NTS

SCALE 1" = 3'-0"

PROJECT: READSBORO	PROJECT NO.: ST CULV (4)
DESIGN FILE NAME: s04c176/structures/s04c176pipepro.dgn	
IPARM FILE NAME: s04c176chanstone.i PLOT DATE: 18-JUL-2006	
DESIGNED BY: E.L.RUSTAY	DRAWN BY: E.L.RUSTAY
SQUAD LEADER: C.P.WILLIAMS	CHECKED BY: M.GAGULIC
CHANNEL / STONE FILL DETAILS	SHEET: 17 OF 39