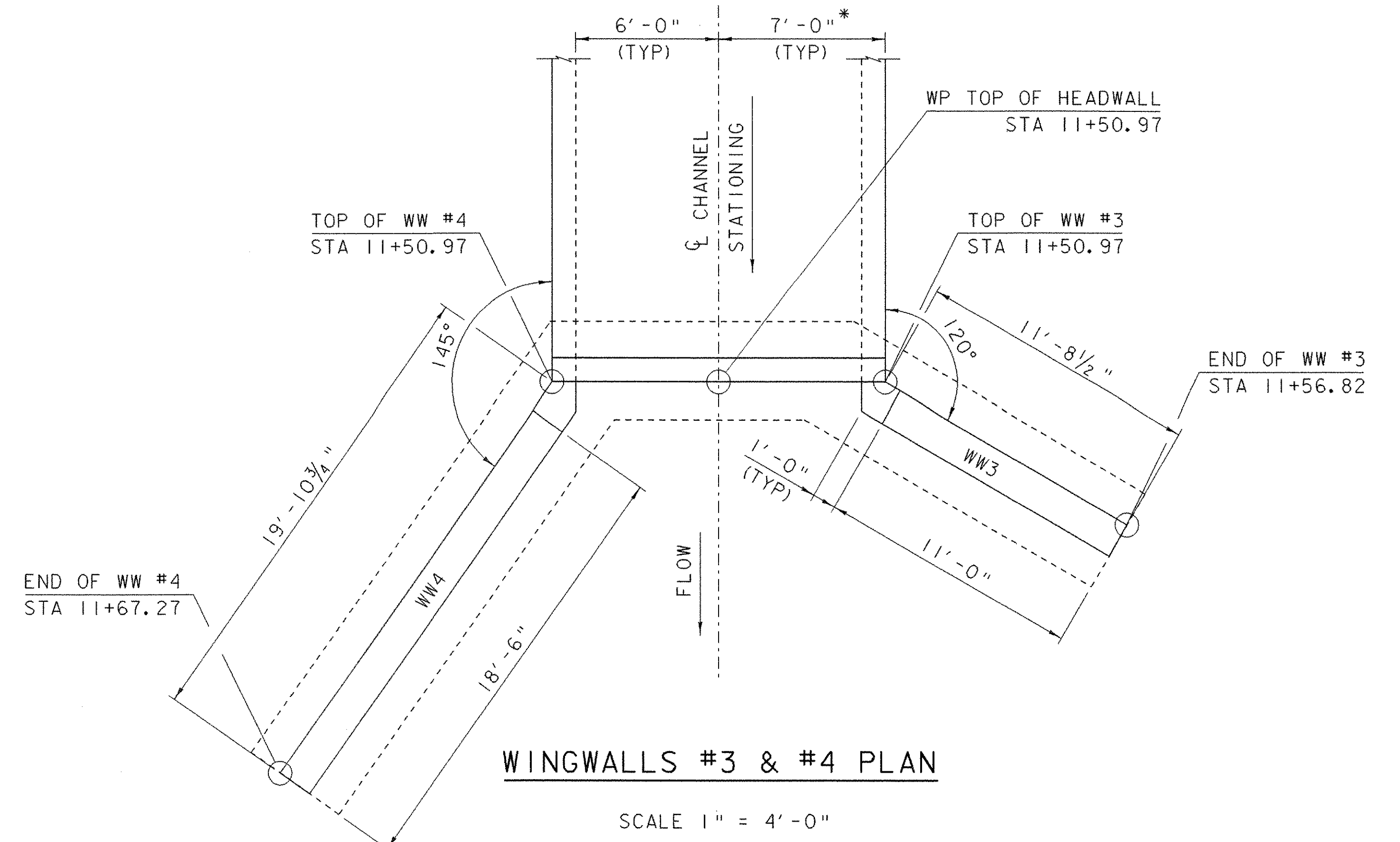


WINGWALLS #1 & #2 PLAN

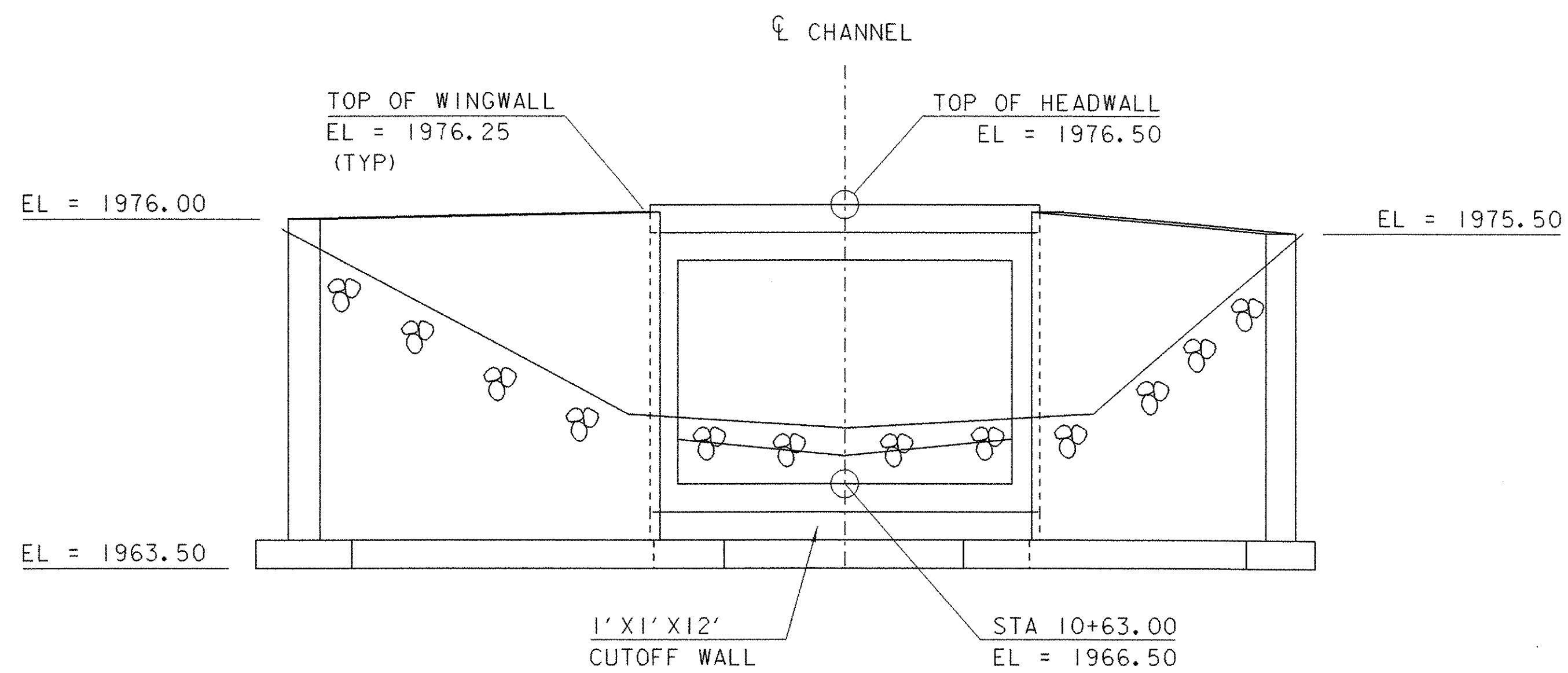
SCALE 1" = 4'-0"
4 2 0 4



WINGWALLS #3 & #4 PLAN

SCALE 1" = 4'-0"
4 2 0 4

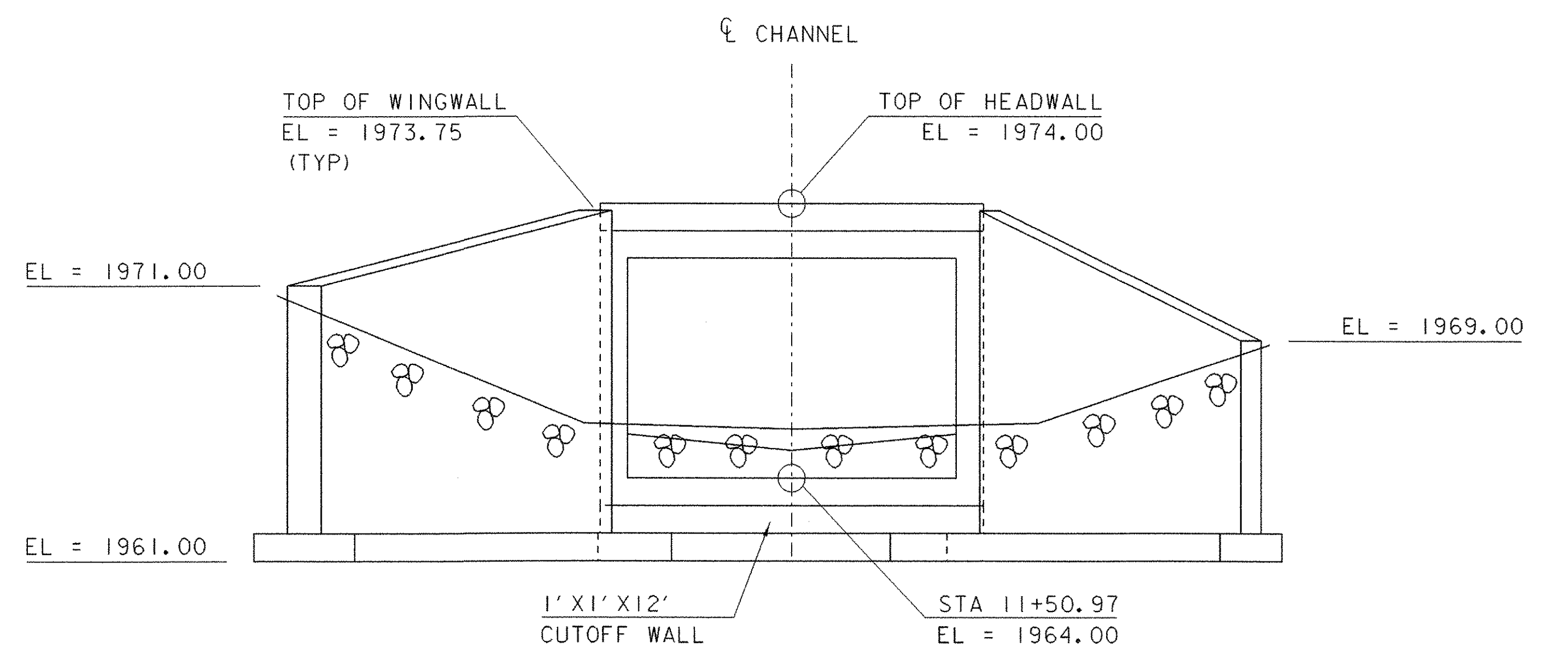
*NOTE:
DIMENSIONS SHOWN ARE MEASURED BASED
ON AN ASSUMED BOX WALL THICKNESS OF
1'-0".



WINGWALLS #1 & #2 ELEVATION

(AT INLET)

SCALE 1" = 4'-0"
4 2 0 4



WINGWALLS #3 & #4 ELEVATION

(AT OUTLET)

SCALE 1" = 4'-0"
4 2 0 4

PROJECT: READSBORO	PROJECT NO.: ST CULV (4)
DESIGN FILE NAME: 04c176/structures/s04c176pipepro.dgn	PLOT DATE: 18-JUL-2006
IPARM FILE NAME: s04c176ww.i	DESIGNED BY: E.L.RUSTAY
SQUAD LEADER: C.P.WILLIAMS	DRAWN BY: E.L.RUSTAY
WINGWALL DETAILS	CHECKED BY: M.GAGULIC
	SHEET: 16 OF 39