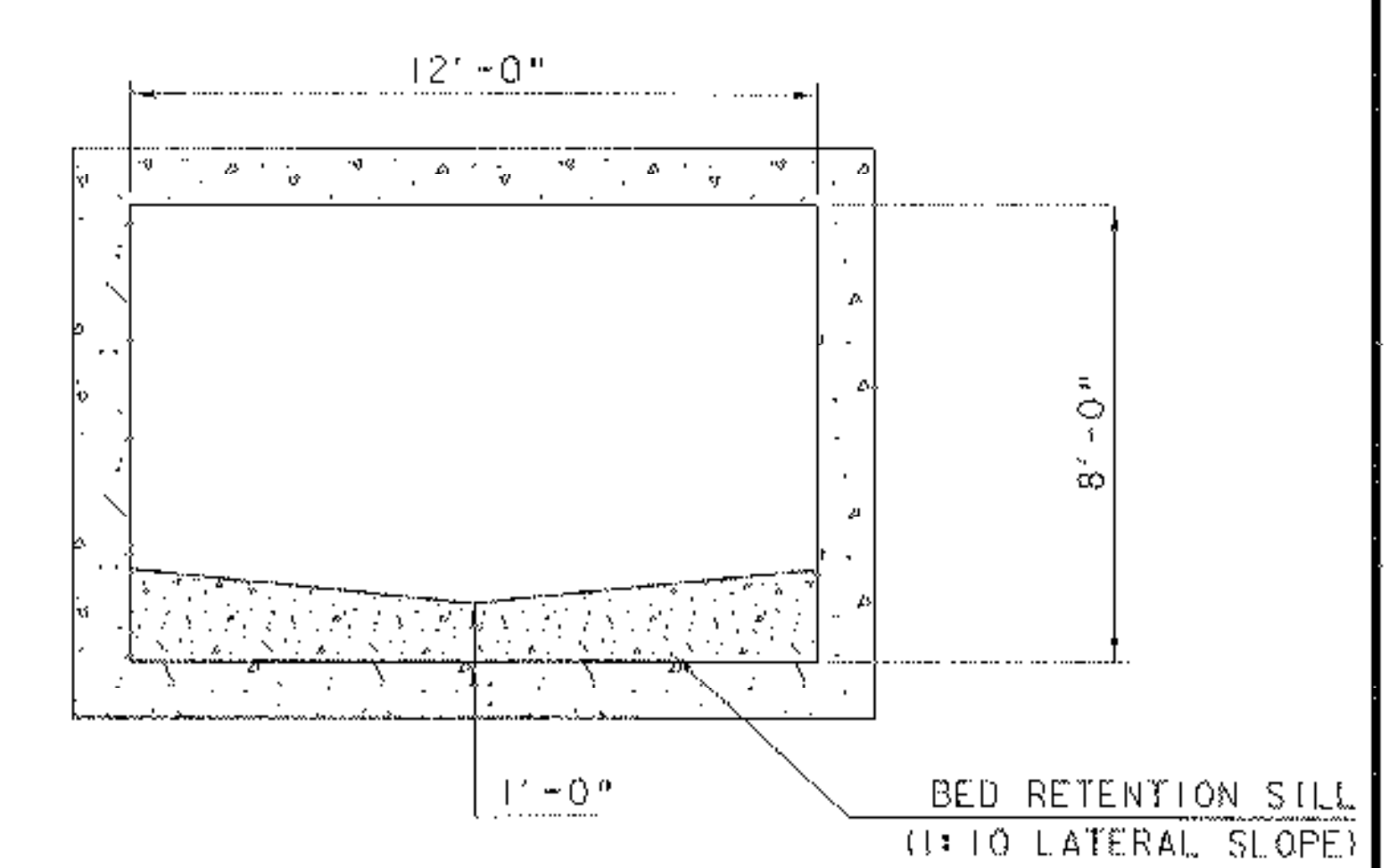
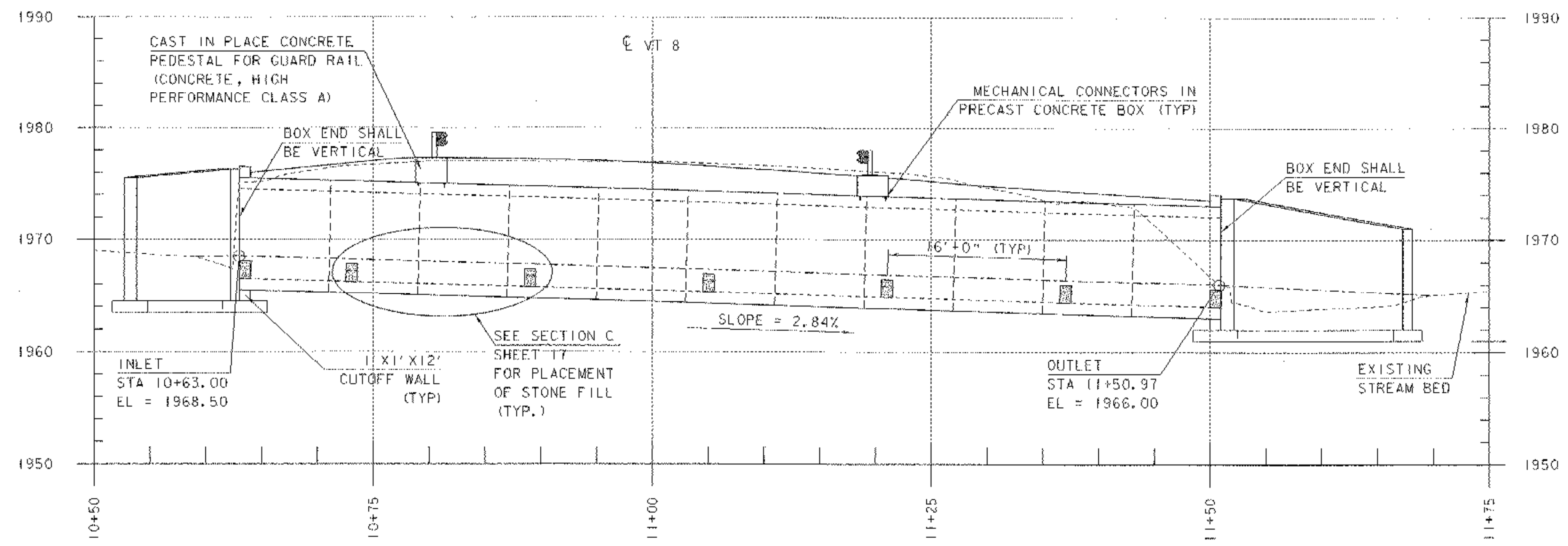


SEE SHOP DRAWINGS FOR ACTUAL DIMENSIONS



**PRECAST CONCRETE BOX LAYOUT**  
SEE SHEET 18 FOR SECTIONS A & B  
SCALE 1" = 6'-0"

**PRECAST CONCRETE BOX CROSS SECTION**  
SEE SHEET 17 FOR STONE FILL DETAILS  
SCALE 1" = 3'-0"



**PRECAST CONCRETE BOX ELEVATION VIEW**  
(PROFILE ALONG  $\bar{C}$  OF CHANNEL)  
SCALE 1" = 6'-0"

NOTE:  
BED RETENTION SILLS SHALL BE PLACED AT BOTH THE INLET AND OUTLET OF THE BOX AS SHOWN

PROJECT: <b>READSBORO</b>	PROJECT NO. 4 <b>ST CULV (4)</b>
DESIGN FILE NAME: 04c176/structures/s04c176pipepro.dgn	PLOT DATE: 18-JUL-2006
IPARM FILE NAME: s04c176pipepro.i	DRAWN BY: E.L. RUSTAY
DESIGNED BY: E.L. RUSTAY	CHECKED BY: M. GAGULIC
SQUAD LEADER: C.P. WILLIAMS	CULVERT PLAN, ELEVATION & DETAILS SHEET: 15 OF 39