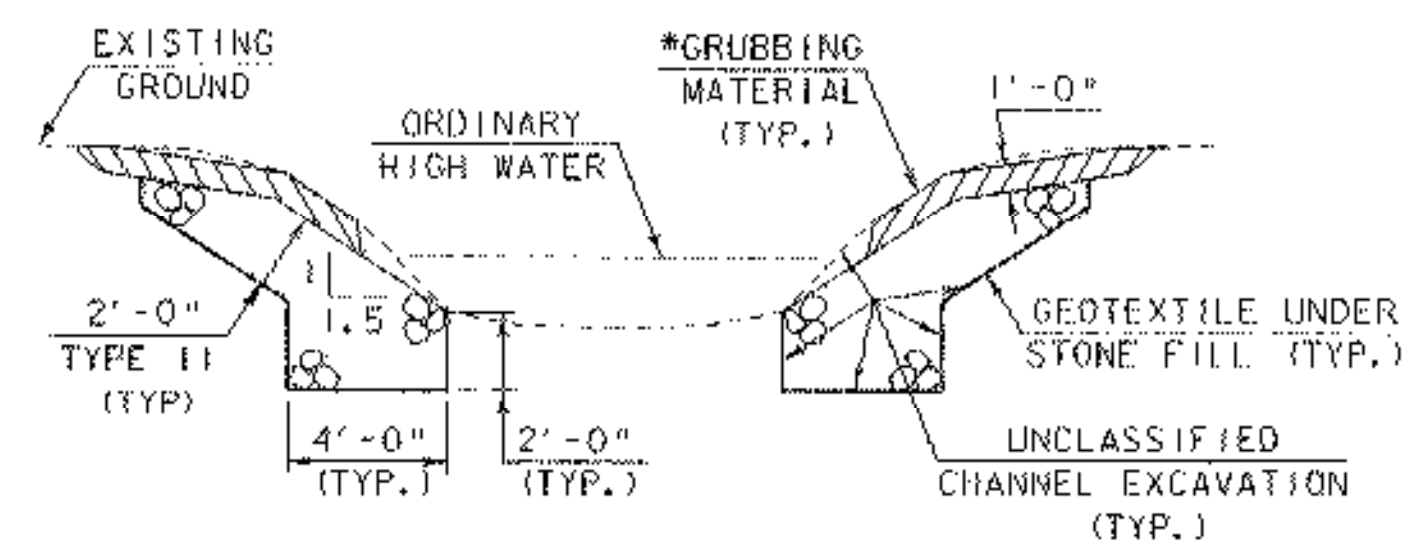
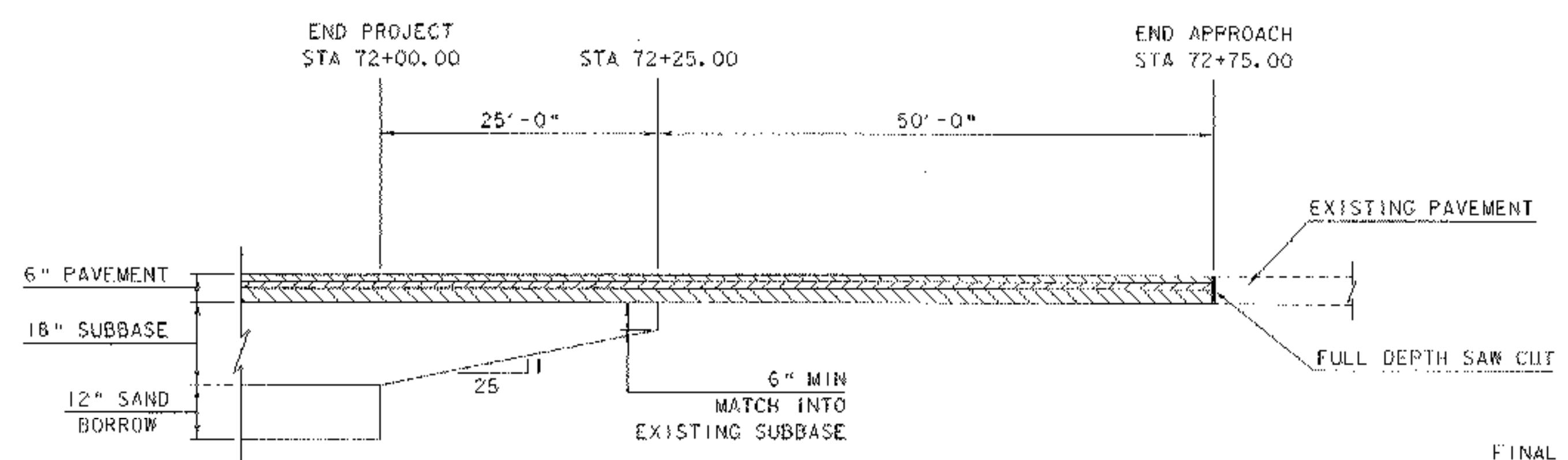


BEGIN PROJECT MATERIAL TRANSITION
(NTS)

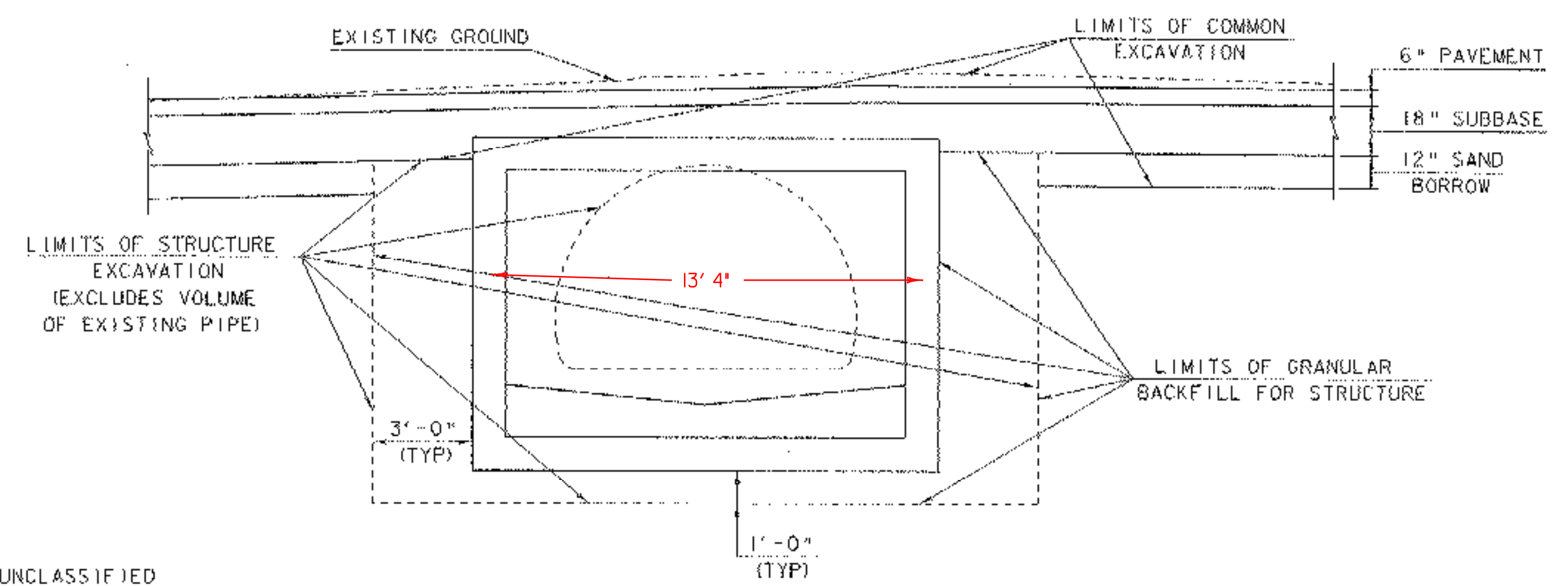


TYPICAL CHANNEL SECTION
(NOT TO SCALE)

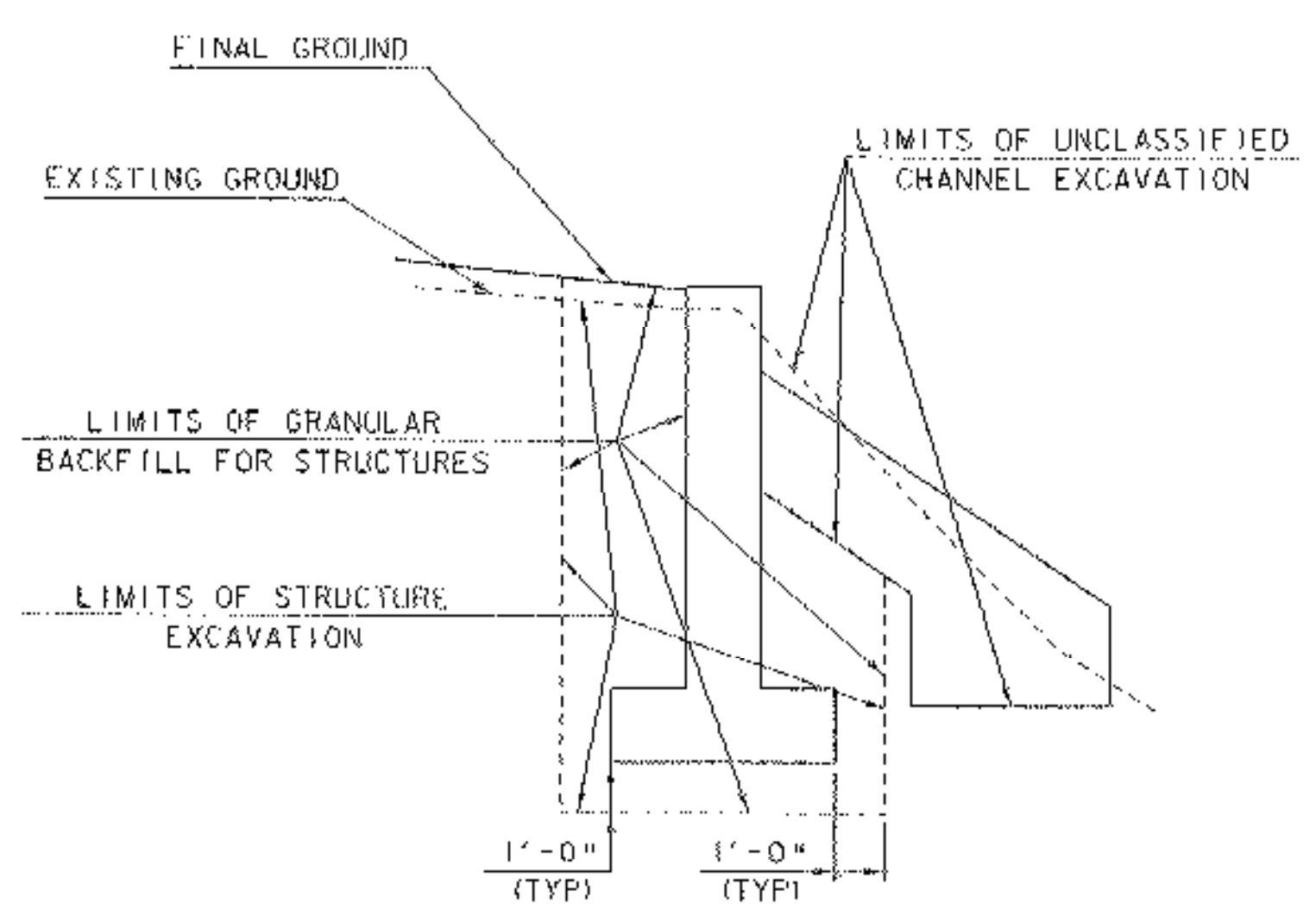
*GRUBBING MATERIAL SHALL NOT BE PLACED ON THE STONE FILL IN THE AREA UNDER THE BRIDGE. WHENEVER CHANNEL SLOPE INTERSECTS ROADWAY SUBBASE, GRUBBING MATERIAL SHALL BEGIN AT THE BOTTOM OF SUBBASE.



END PROJECT MATERIAL TRANSITION
(NTS)



TYPICAL CONCRETE BOX EXCAVATION AND FILL DETAIL
(NOT TO SCALE)



TYPICAL WINGWALL EXCAVATION AND FILL DETAIL
(NOT TO SCALE)

PROJECT: READSBORO	PROJECT NO.: ST CULV (4)
DESIGN FILE NAME: 04c176/structures/s04c176typ.dgn	PLOT DATE: 18-JUL-2006
IPARM FILE NAME: s04c176excdet.i	DRAWN BY: E.L.RUSTAY
DESIGNED BY: E.L.RUSTAY	CHECKED BY: M.GAGULIC
SQUAD LEADER: C.P.WILLIAMS	EXCAVATION & TRANSITION DETAILS
	SHEET: 6 OF 39