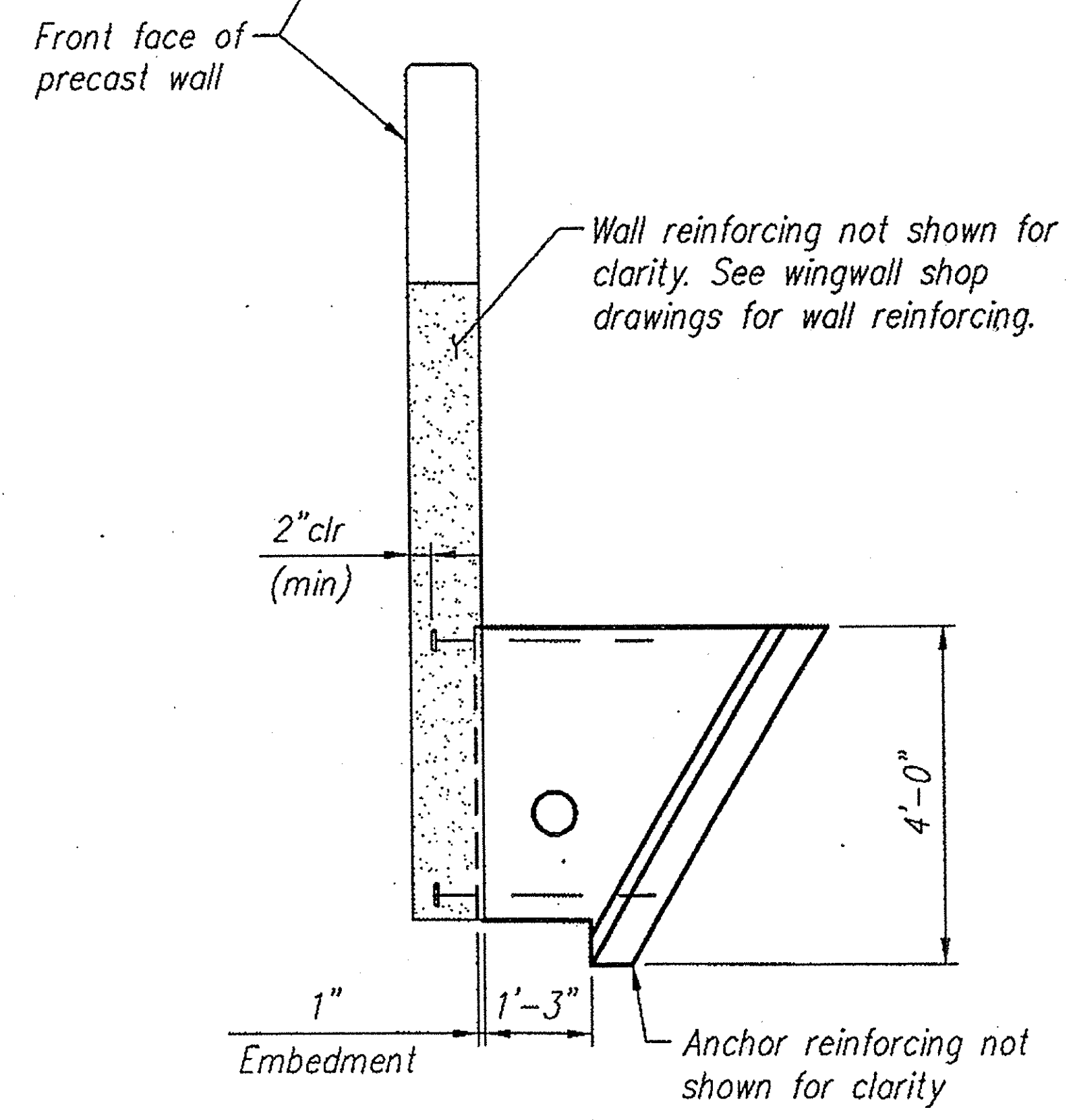


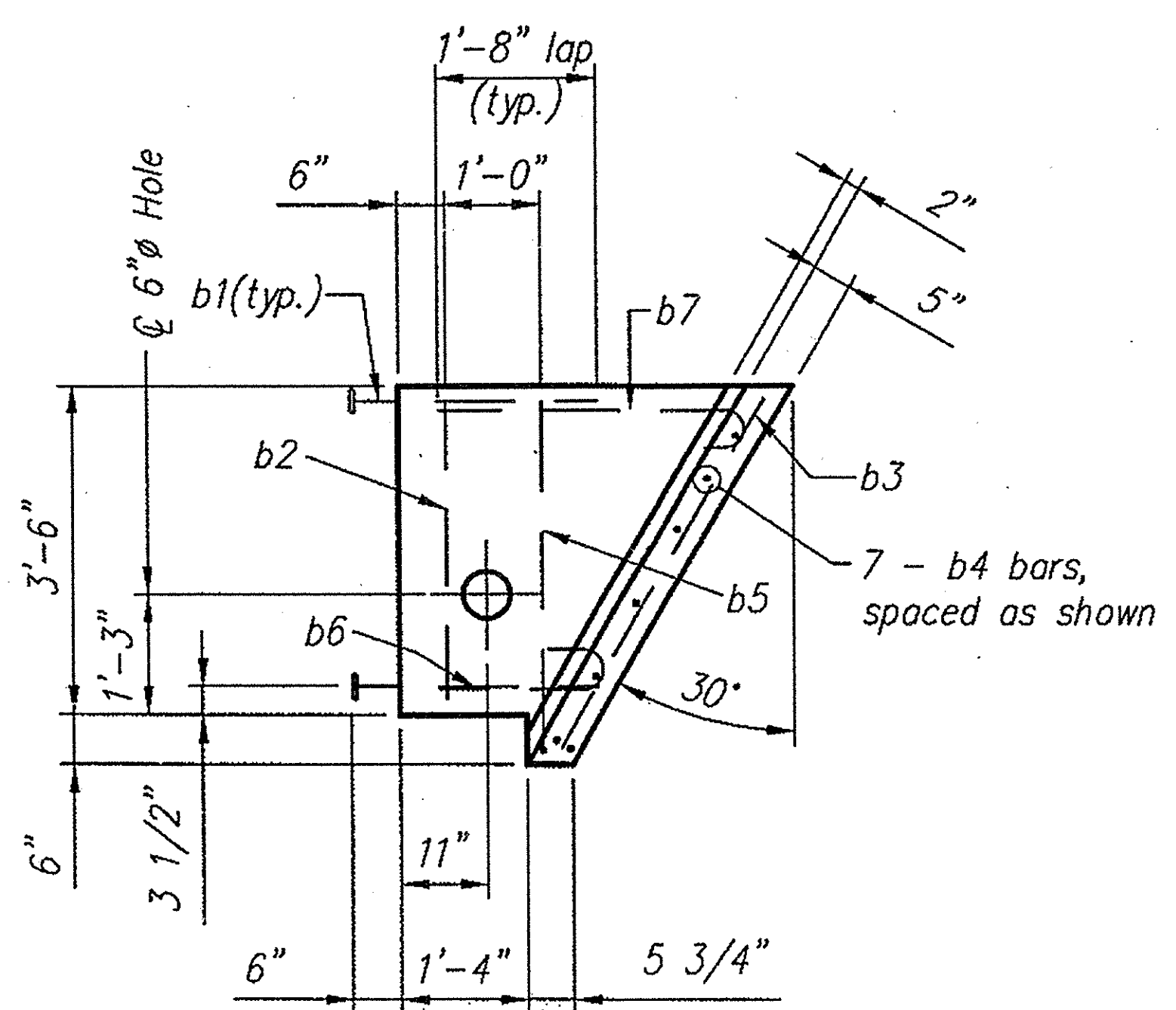
PLAN



SECTION

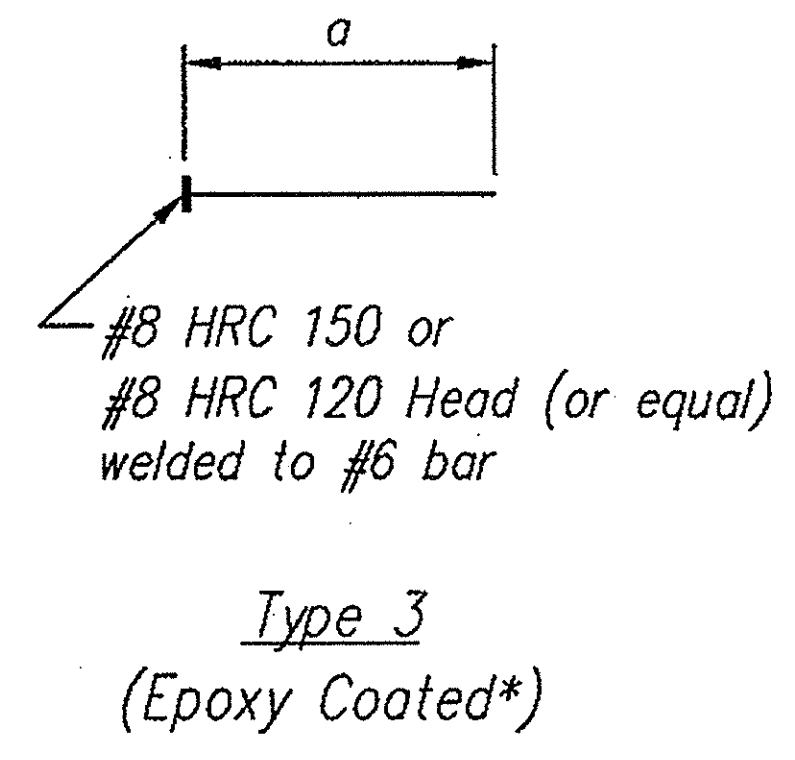
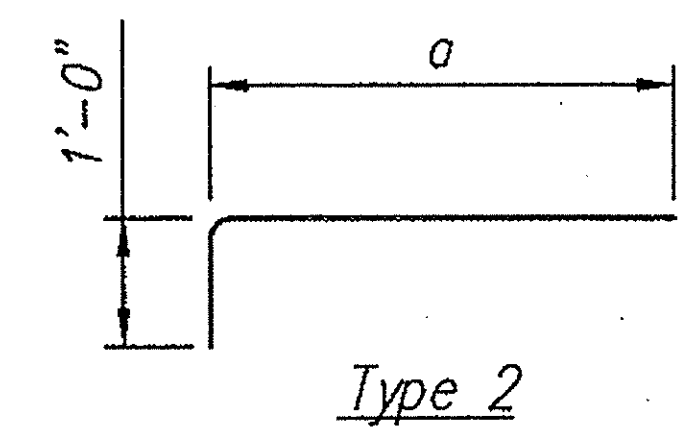
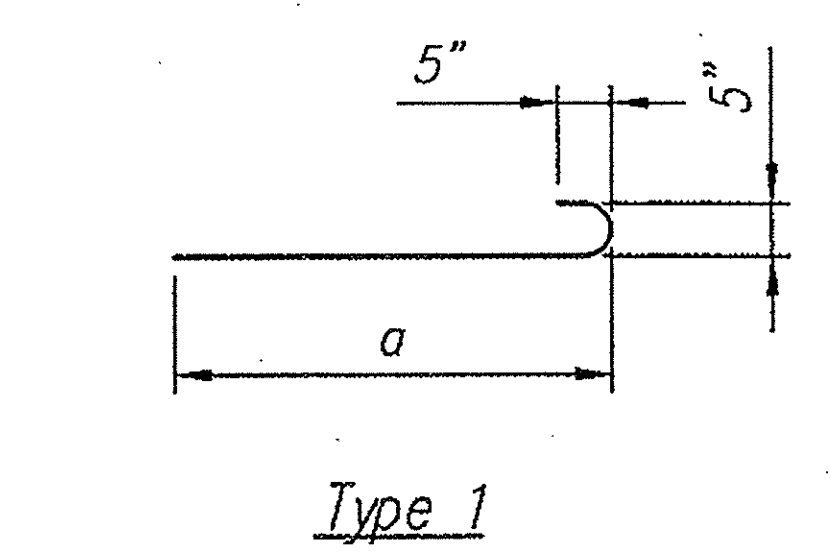
BAR LIST						
MARK	QTY.	SIZE	a	TYPE	LENGTH	FINISH
b1	2	#6	2'-7"	3	—	Epoxy*
b2	1	#5	—	Str.	3'-2"	Black
b3	4	#5	—	Str.	4'-3"	Black
b4	7	#5	—	Str.	2'-2"	Black
b5	2	#5	3'-8"	2	—	Black
b6	1	#5	1'-9"	1	—	Black
b7	1	#5	3'-2"	1	—	Black

Note: "Str." denotes straight bar.  
Standard Clearance = 2"



PRECAST ANCHOR  
TYPE B

**APPROVAL ONLY:**  
NOT FOR CONSTRUCTION



\*Note: Epoxy coating is not required on headed ends of Type 3 bars, but will not be detrimental if provided.

\*Note: HRC heads provided by Headed Reinforcement Corp.

**CONSPAN**  
BRIDGE SYSTEMS  
3100 Research Blvd. P.O. Box 20266 Dayton, Ohio 45420-0266 (800) 526-3999 © 2006

Offices:  
Dayton, OH (937) 254-2233 fax (937) 254-8365  
Charlotte NC (704) 548-8420  
Sacramento, CA (916) 787-8701  
Albany, NY (518) 371-2871

CON/SPAN® is a patented system and the furnishing of this drawing does not constitute an express or implied license.

Revisions:	No.	Date			
	1				
	2				
	3				
	4				

Sheet Title: WINGWALL ANCHOR B SHOP DRAWING

VERMONT

MONTPELIER

**BUELS GORE**

Des. By: KJG	Job No. 14688
Drawn By: WLC	Sheet No.
Chk'd By: MRW	<b>S20</b>
Date: 8/25/06	057