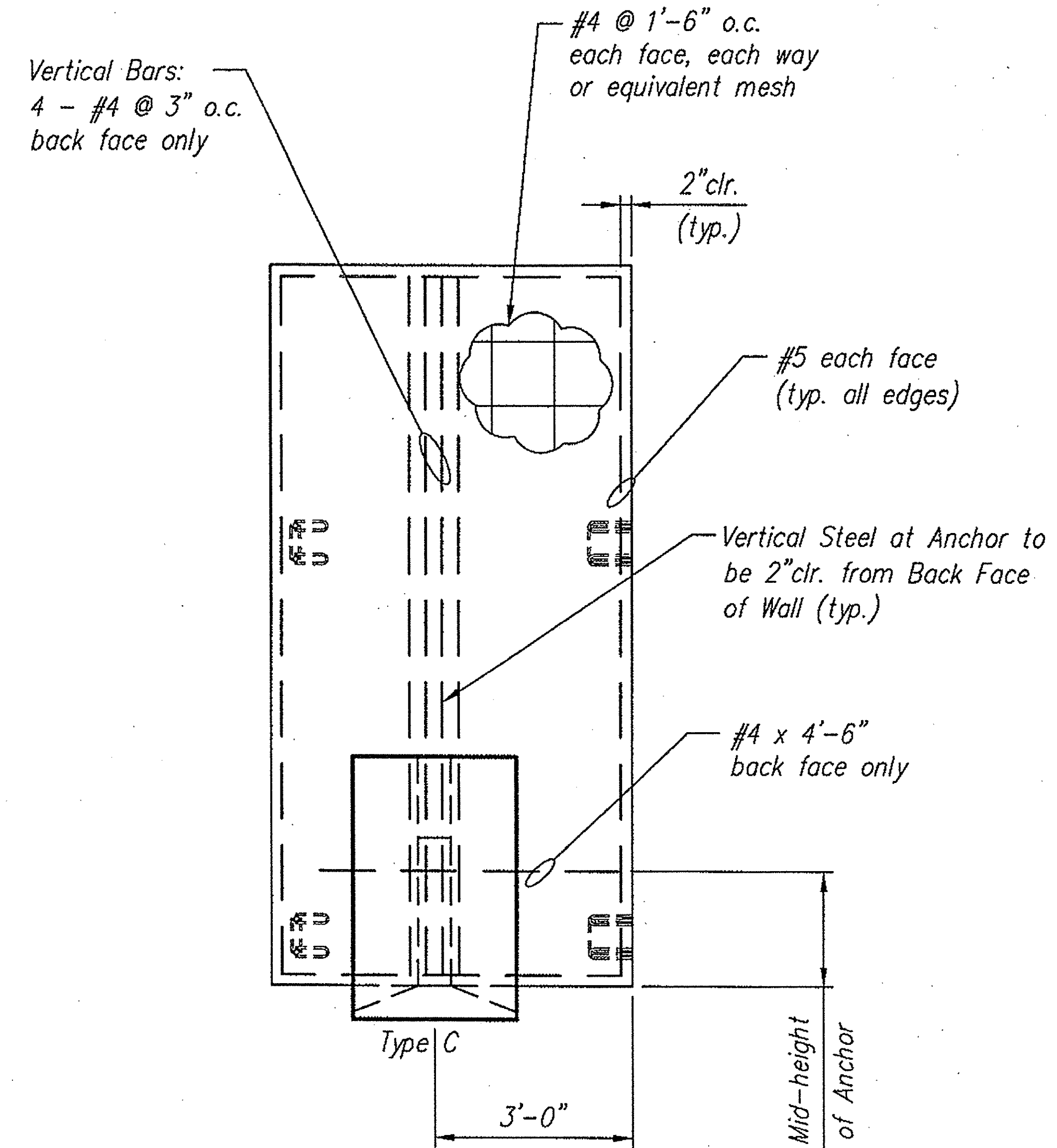


APPROVAL ONLY:
NOT FOR CONSTRUCTION

CONSPAN®
BRIDGE SYSTEMS
© 2006
3100 Research Blvd.
P.O. Box 20260
Dayton, Ohio 45420-0266
(601) 526-3999

Offices
Dayton, OH (937) 254-2233
fax (937) 254-8365
Charlotte NC (704) 548-8420
Sacramento, CA (916) 787-8701
Albany, NY (518) 371-2871

CONSPAN® is a patented system and the furnishing of this drawing does not constitute an express or implied license.



REINFORCING DETAIL
(For Anchor Reinforcing See Sheet S21)

Wingwall		
Concrete	Reinf. Steel	WWF
28-day 4000 psi	60,000 psi uncoated	65,000 psi uncoated

Wherever the reinforcing is cut for the placement of lift holes or other blockouts, reinforcing bars or wires of equivalent cross-sectional area shall be placed symmetrically around the hole. At least one bar must be on each side of the hole, and the development length of the bar must be achieved on either side of the cut.

Notes:
- All edges of Precast to have a 3/4" chamfer
- Elevation is looking at back face of Wingwall
- Back face denotes anchor side of Wingwall

Revisions:	Date				
	No.	1	2	3	4

Sheet Title:
WINGWALL REINFORCING - WW3b
SHOP DRAWING

VERMONT
MONTPELIER
BUELS GORE

Des. By: KJG	Job No. 14688
Drawn By: WLC	Sheet No. S17
Chk'd By: MRW	
Date: 8/25/06	054