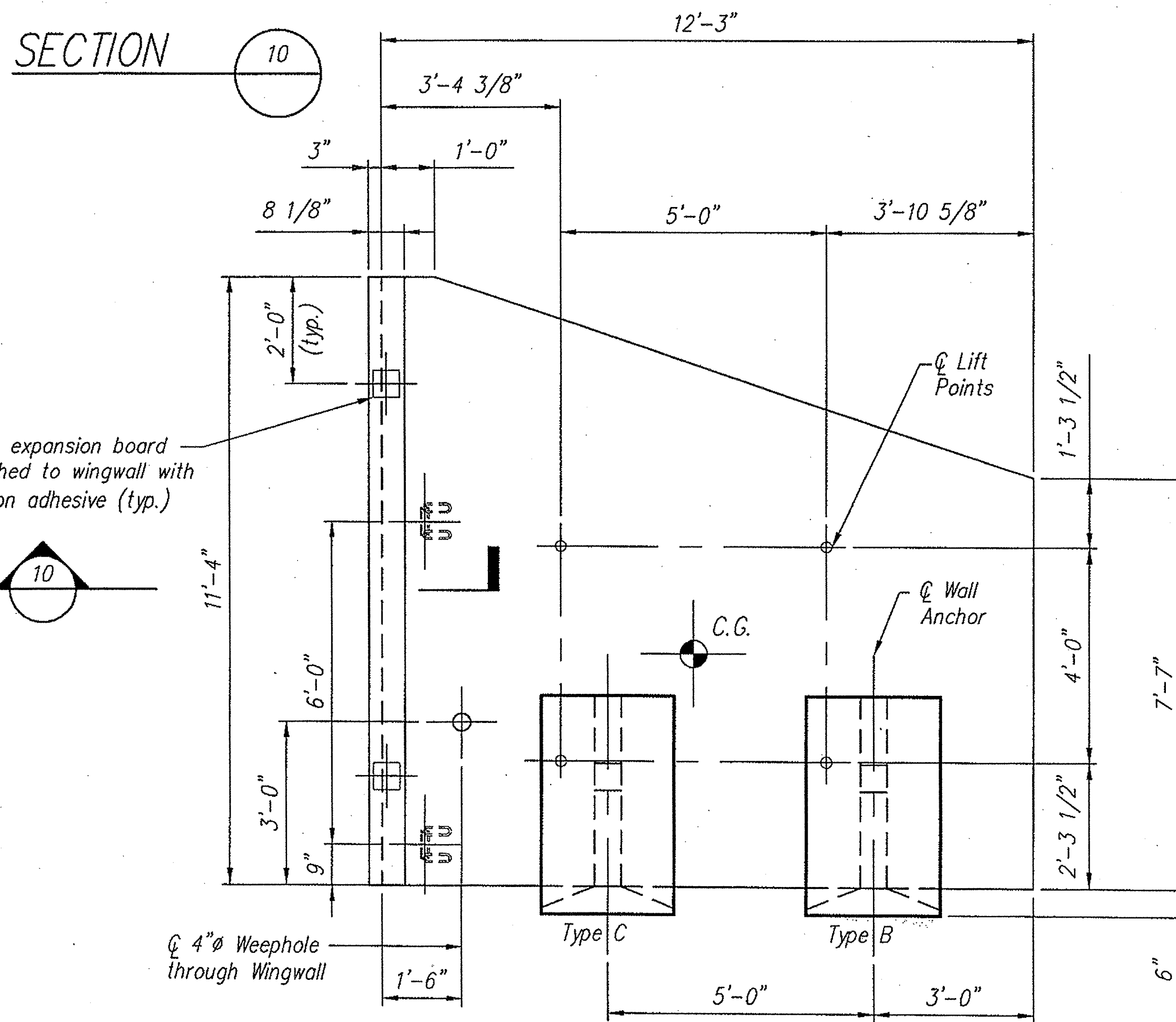


APPROVAL ONLY:
NOT FOR CONSTRUCTION

FOR LIFTING USE 8UA671
UTILITY ANCHORS



Notes:
 - All edges of Precast to have a 3/4" chamfer
 - See Sheet S13 for Reinforcing Detail
 - Elevation is looking at back face of Wingwall
 - Back face denotes anchor side of Wingwall

Total Weight = 9.0 Tons

CONSPAN
BRIDGE SYSTEMS
 3100 Research Blvd.
 P.O. Box 20266
 Dayton, Ohio 45420-0266
 (800) 526-3889
 © 2006

Offices:
 Dayton, OH (937) 254-2233
 fax (937) 254-8365
 Charlotte NC (704) 548-8420
 Sacramento, CA (916) 787-8701
 Albany, NY (518) 371-2871

CONSPAN® is a patented system and the furnishing of this drawing does not constitute an express or implied license.

Revisions:	
No.	Date
1	
2	
3	
4	

Sheet Title:
WINGWALL WW2
SHOP DRAWING

VERMONT
MONTPELIER
BUELS GORE

Des. By: KJG	Job No. 14688
Drawn By: WLC	Sheet No. S12
Chk'd By: MRW	Date: 8/25/06
	049