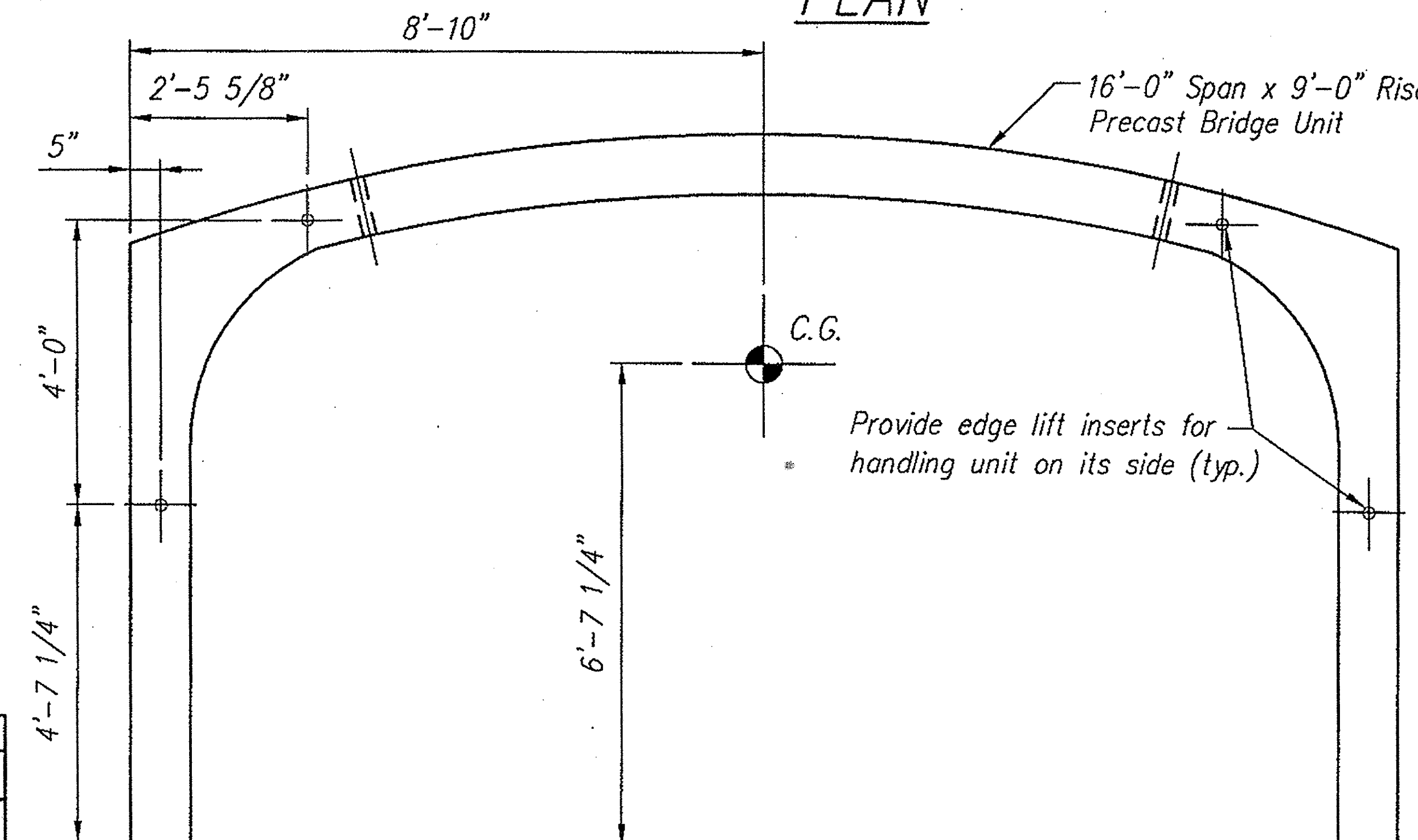


8
PLAN



ELEVATION 8

APPROVAL ONLY:
NOT FOR CONSTRUCTION

CONSPAN
BRIDGE SYSTEMS
3100 Research Blvd.
P.O. Box 20266
Dayton, Ohio 45420-0266
(600) 526-3999

Offices
Dayton, OH (937) 254-2233
fax (937) 254-8365
Charlotte NC (704) 548-8420
Sacramento, CA (916) 787-8701
Albany, NY (518) 371-2871

CONSPAN® is a patented system and the furnishing of this drawing does not constitute an express or implied license.

Revisions:	No.	Date			
	1	2	3	4	

Sheet Title:
INTERIOR UNIT - C3
SHOP DRAWING

VERMONT
MONTPELIER
BUELS GORE

Arch Unit		
Concrete	Reinf. Steel	WWF
28-day, 4000 psi	60,000 psi uncoated	65,000 psi uncoated

Wherever the reinforcing is cut for the placement of lift holes or other blockouts, reinforcing bars or wires of equivalent cross-sectional area shall be placed symmetrically around the hole. At least one bar must be on each side of the hole, and the development length of the bar must be achieved on either side of the cut.

Notes:
- All edges of Precast to have a 3/4" chamfer
- See Sheet S2 for Bridge Unit Dimensions

Total Weight = 17.6 Tons

Des. By: KJG	Job No. 14688
Drawn By: WLC	Sheet No.
Chk'd By: MRW	S9
Date: 8/25/06	046