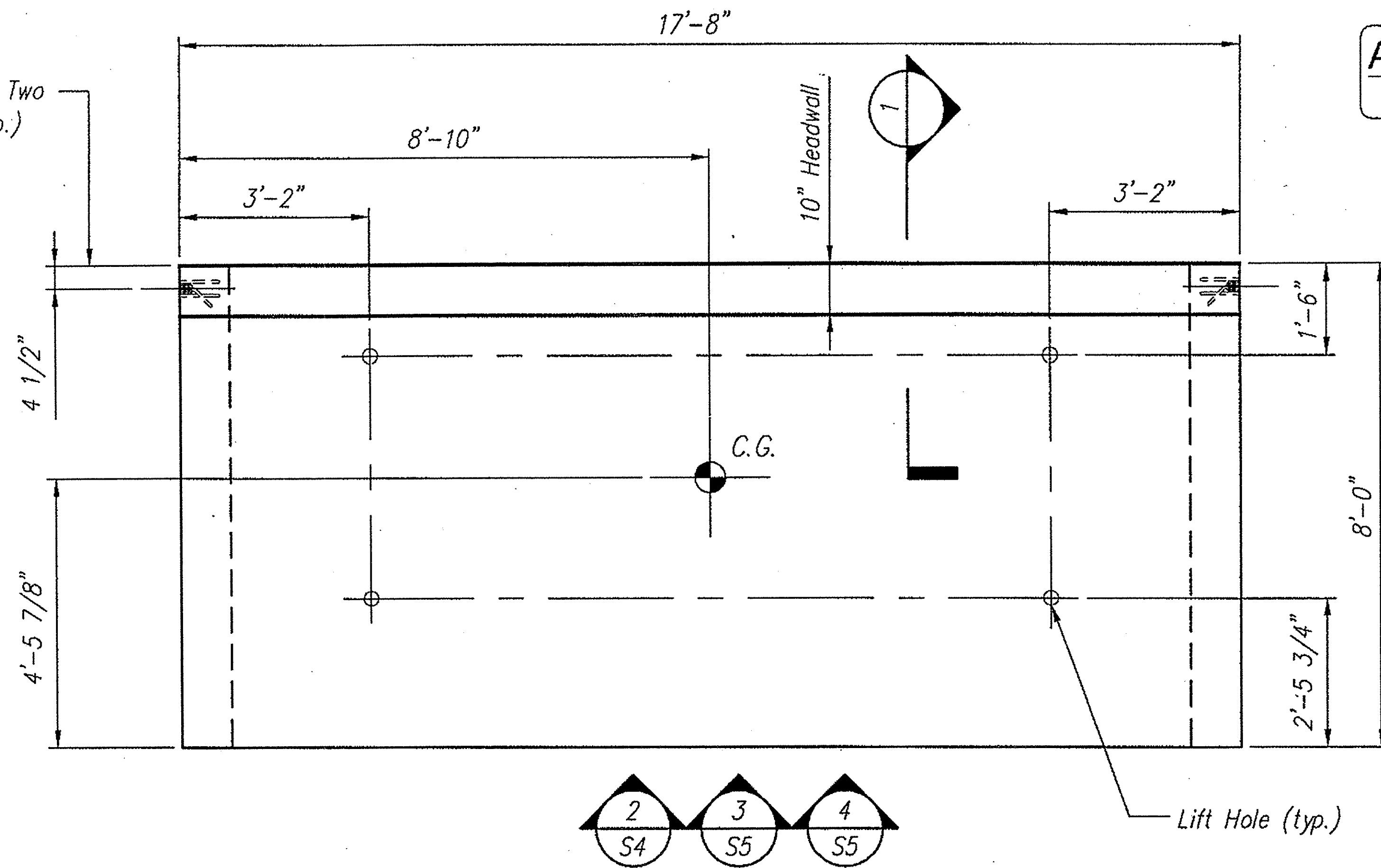


Ø 8" Dayton/Richmond Two Bolt Preset Anchor (typ.)



APPROVAL ONLY:
NOT FOR CONSTRUCTION

CONSPAN®
BRIDGE SYSTEMS
© 2006
3100 Research Blvd.
P.O. Box 20268
Dayton, Ohio 45420-0268
(603) 526-3599

Offices:
Dayton, OH (937) 254-2233
fax (937) 254-8365
Charlotte NC (704) 548-8420
Sacramento, CA (916) 787-8701
Albany, NY (518) 371-2871

CONSPAN® is a patented system and the furnishing of this drawing does not constitute an express or implied license.

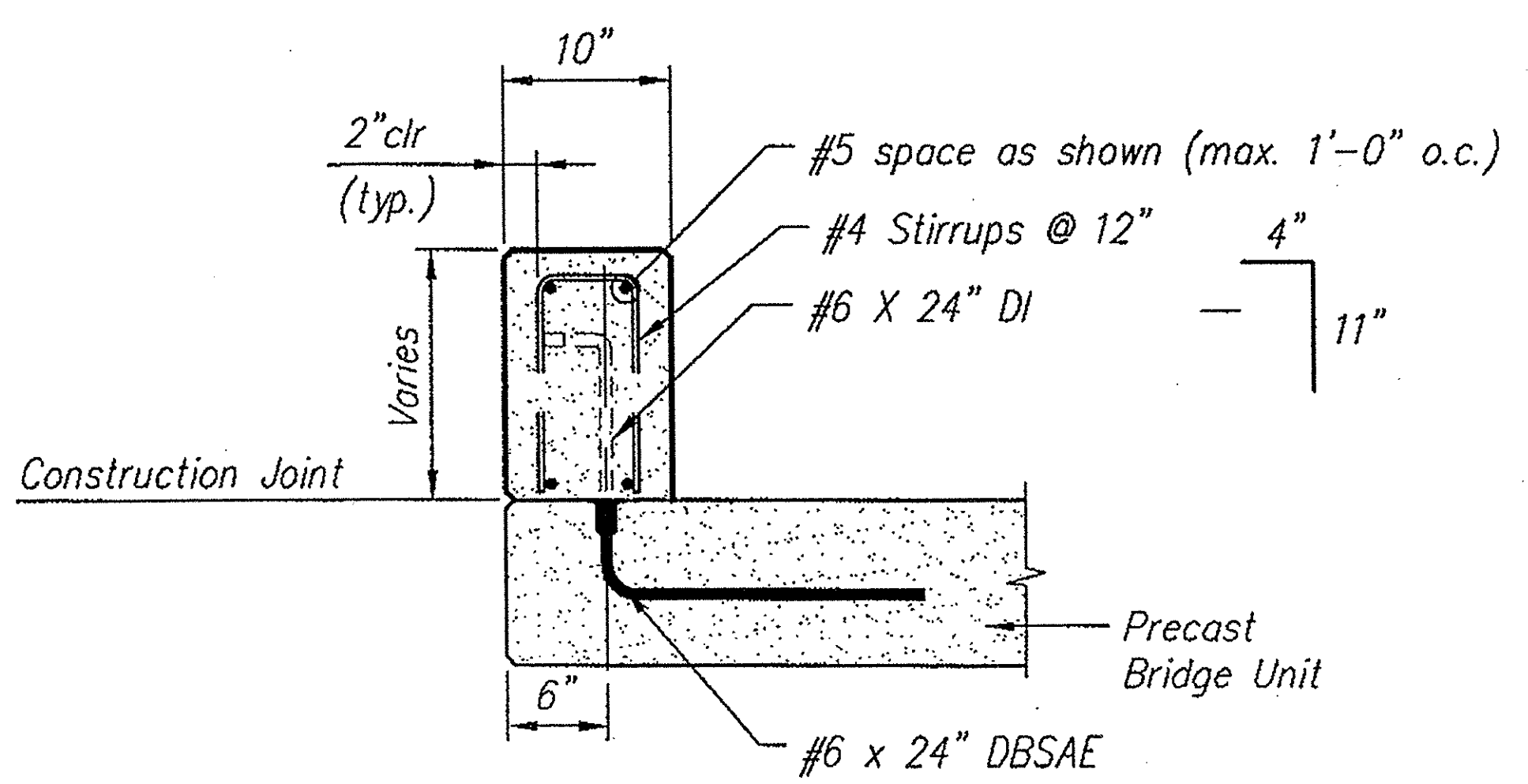
Revisions:	Date				
	No.	1	2	3	4

Sheet Title:
HEADWALL END UNIT - C1
SHOP DRAWING

VERMONT
MONTPELIER
BUELS GORE

Des. By: KJG	Job No. 14688
Drawn By: WLC	Sheet No.
Chk'd By: MRW	S3
Date: 8/25/06	040

PLAN



SECTION 1
S3, S6

Notes:
- All edges of Precast to have a 3/4" chamfer
- Bridge Unit will not hang level. Adjust cable lengths as required

Unit Weight = 17.6 Tons
Headwall Weight = 2.8 Tons
Total Weight = 20.4 Tons