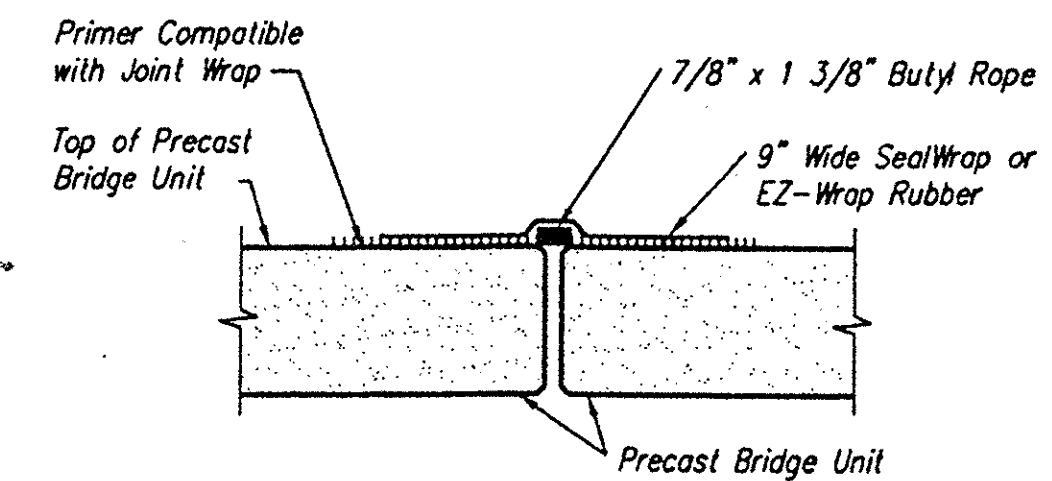
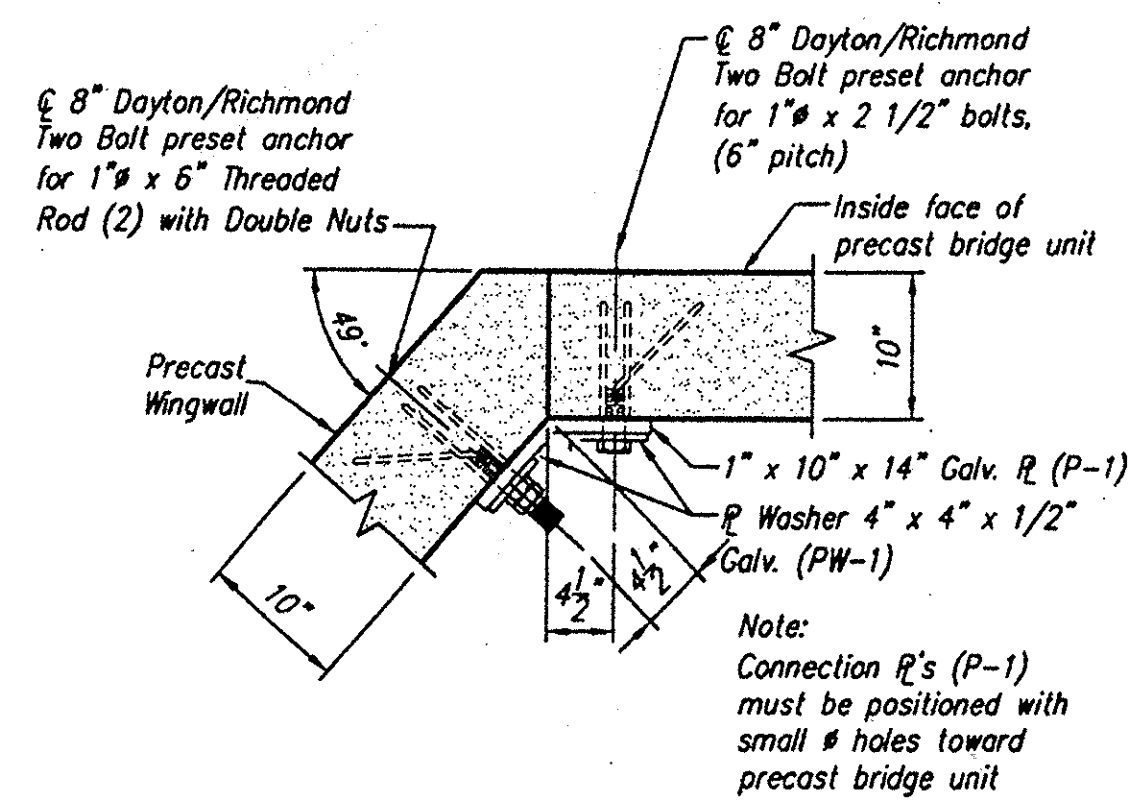


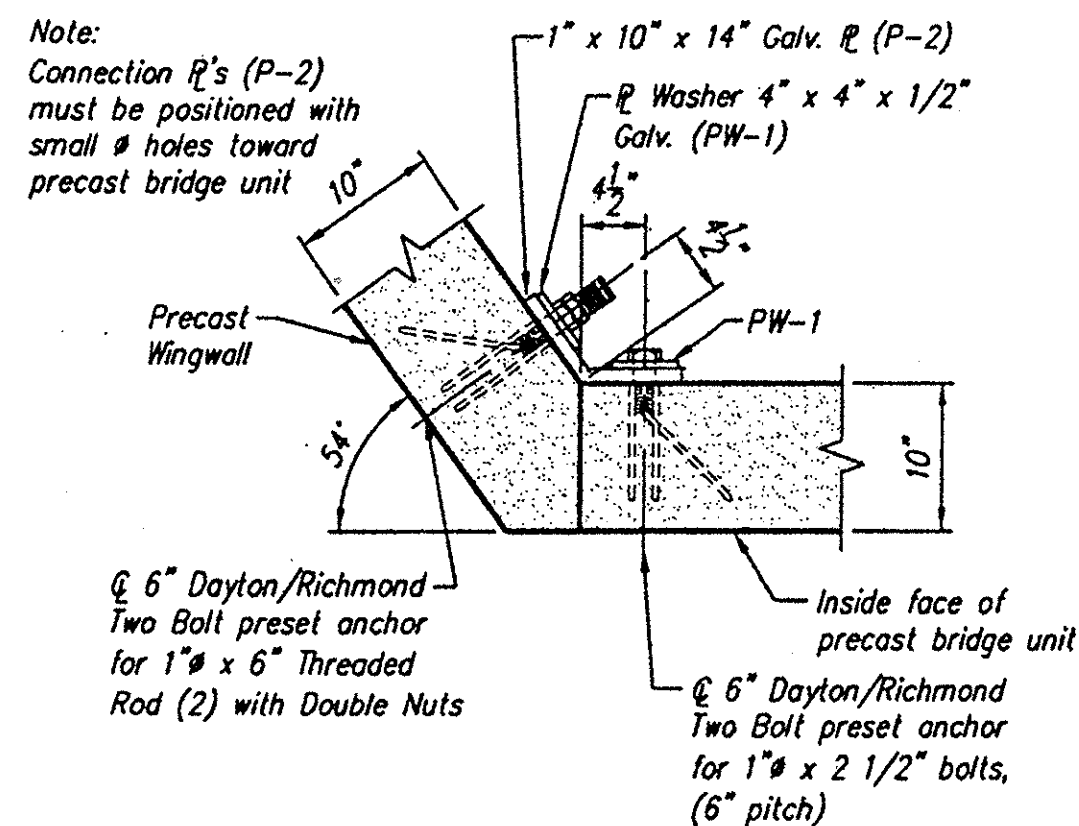
SECTION C  
0 2' 4' 8'



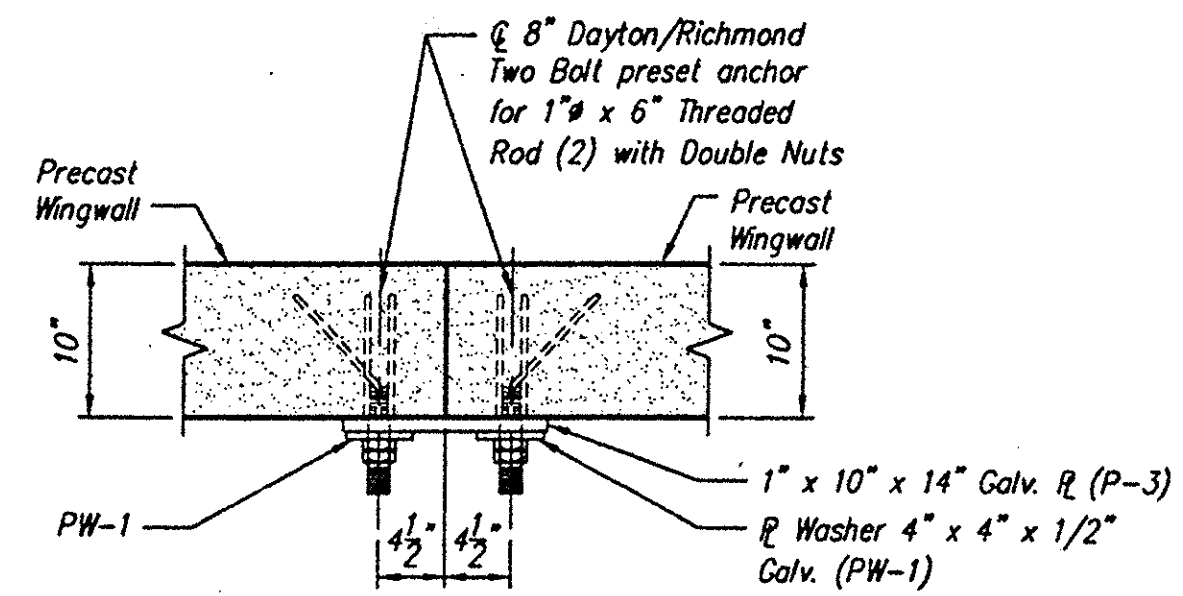
TYPICAL JOINT SEAL DETAIL  
not to scale



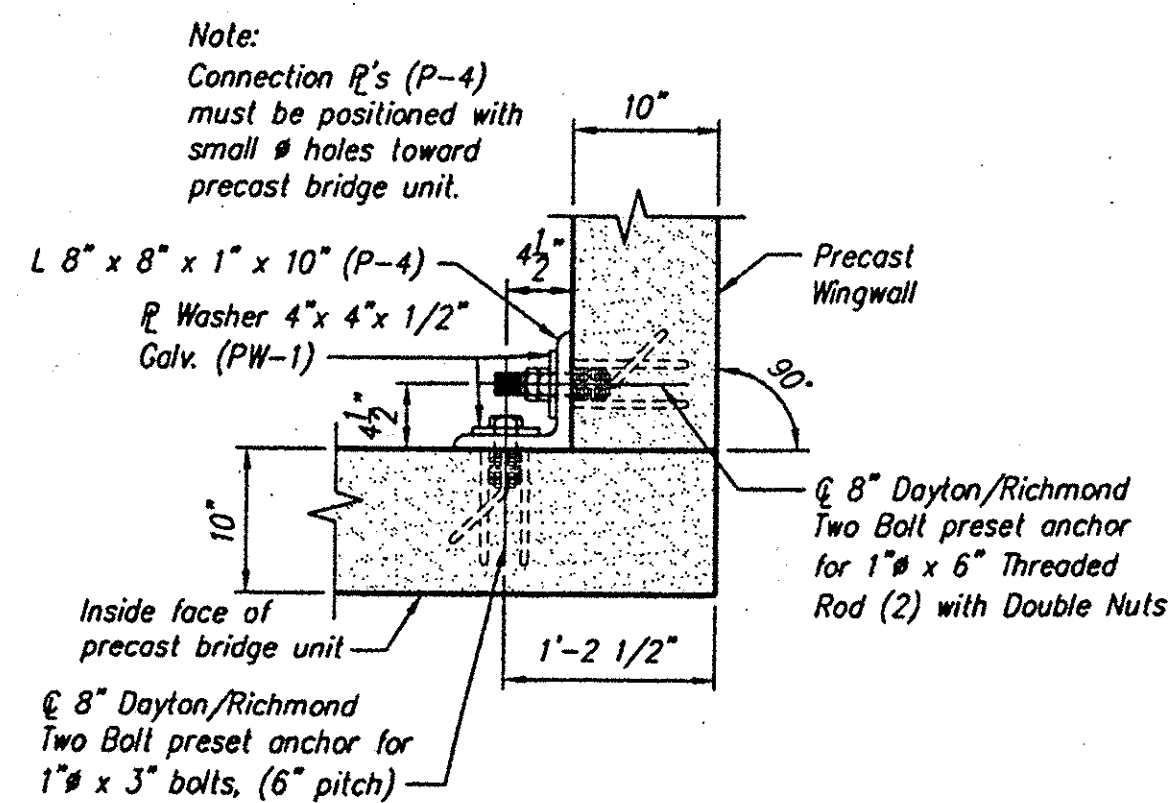
DETAIL 2  
0 1' 2' C/SI



DETAIL 3  
0 1' 2' C/SI



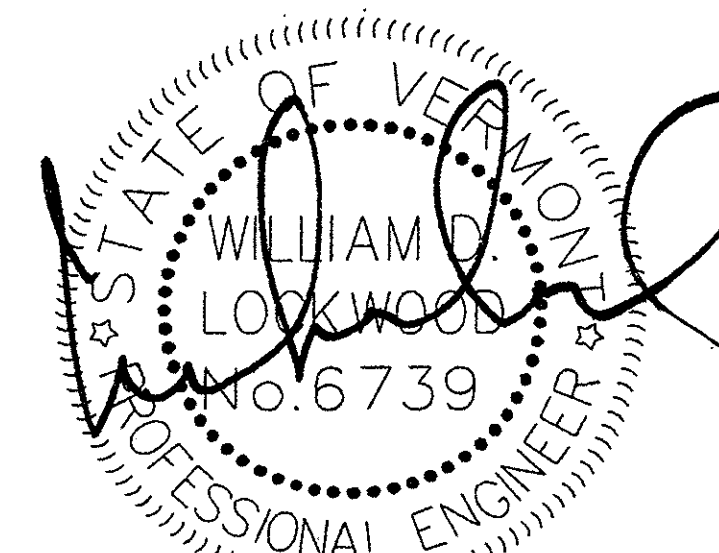
DETAIL 4  
0 1' 2' C/SI



DETAIL 5  
0 1' 2' C/SI

APPROVAL ONLY:  
NOT FOR CONSTRUCTION

RECEIVED  
CK'D BY \_\_\_\_\_ OK'D BY *MGM*  
JUN 29 2006  
RESUBMIT \_\_\_\_\_ APPROVED   
BY \_\_\_\_\_ DATE *8/1/06*



NOTICE: The design and information shown on this drawing is provided as a service to the project owner, engineer and contractor by CONSPAN® Bridge Systems Ltd. No part of this drawing may be used, reproduced, or modified in any manner without the prior written authorization of CONSPAN® Bridge Systems Ltd. Any such use, reproduction, or modification without the prior written authorization of CONSPAN® Bridge Systems Ltd. is strictly prohibited. CONSPAN® Bridge Systems Ltd. form and apparatus are used in the design, construction, and operation, but not the design, construction, or operation of any structure, and the design, construction, and operation of any structure is not a trademark of CONSPAN® Bridge Systems Ltd. CONSPAN® Bridge Systems Ltd. is not responsible for any errors or omissions in this drawing or for any consequences arising from the use of this drawing. CONSPAN® Bridge Systems Ltd. is not responsible for any errors or omissions in this drawing or for any consequences arising from the use of this drawing. The CONSPAN® Bridge System is protected by one or more patents, patents pending and trademarks.

No.	Date	REVISIONS
1		
2		
3		
4		
5		
6		
7		

Engineer's Seal

**CONSPAN®**  
BRIDGE SYSTEMS

3100 Research Blvd. P.O. Box 20266 Dayton, Ohio 45420-0266  
 (800) 526-3999 (937) 254-4365 FAX (937) 254-4365 FAX  
 Dayton, OH (937) 254-2233 (704) 548-8586 FAX (704) 548-8420 FAX  
 Charlotte, NC (919) 787-8701 (919) 787-8729 FAX  
 Sacramento, CA (916) 371-8701 (916) 371-8771 FAX  
 Albany, NY

VERMONT

**BUELS GORE**

MONTELLER

036

Designed	KJG	C/SI Project No.	
Drawn	WLC	14688	
Checked	MRW	Sheet No.	
Date	6/22/06	C/S4	

6-22-06