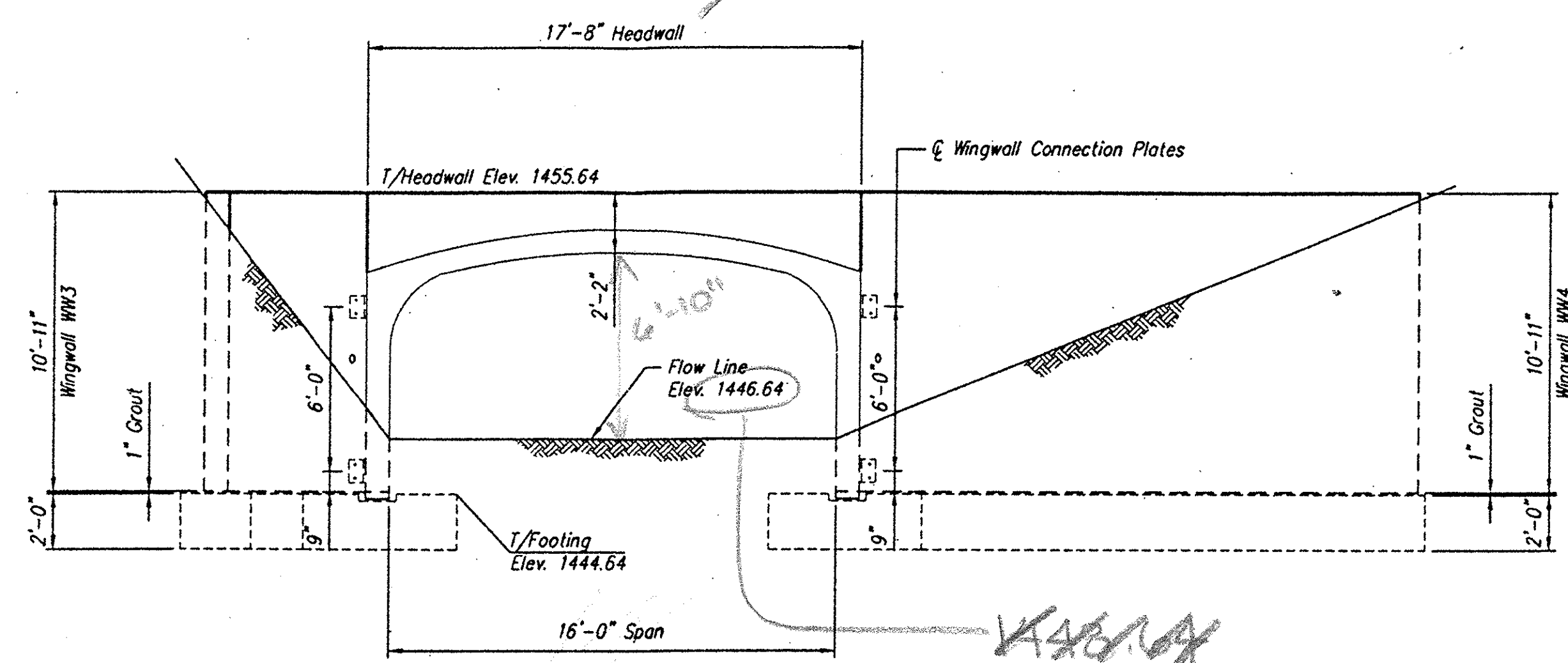
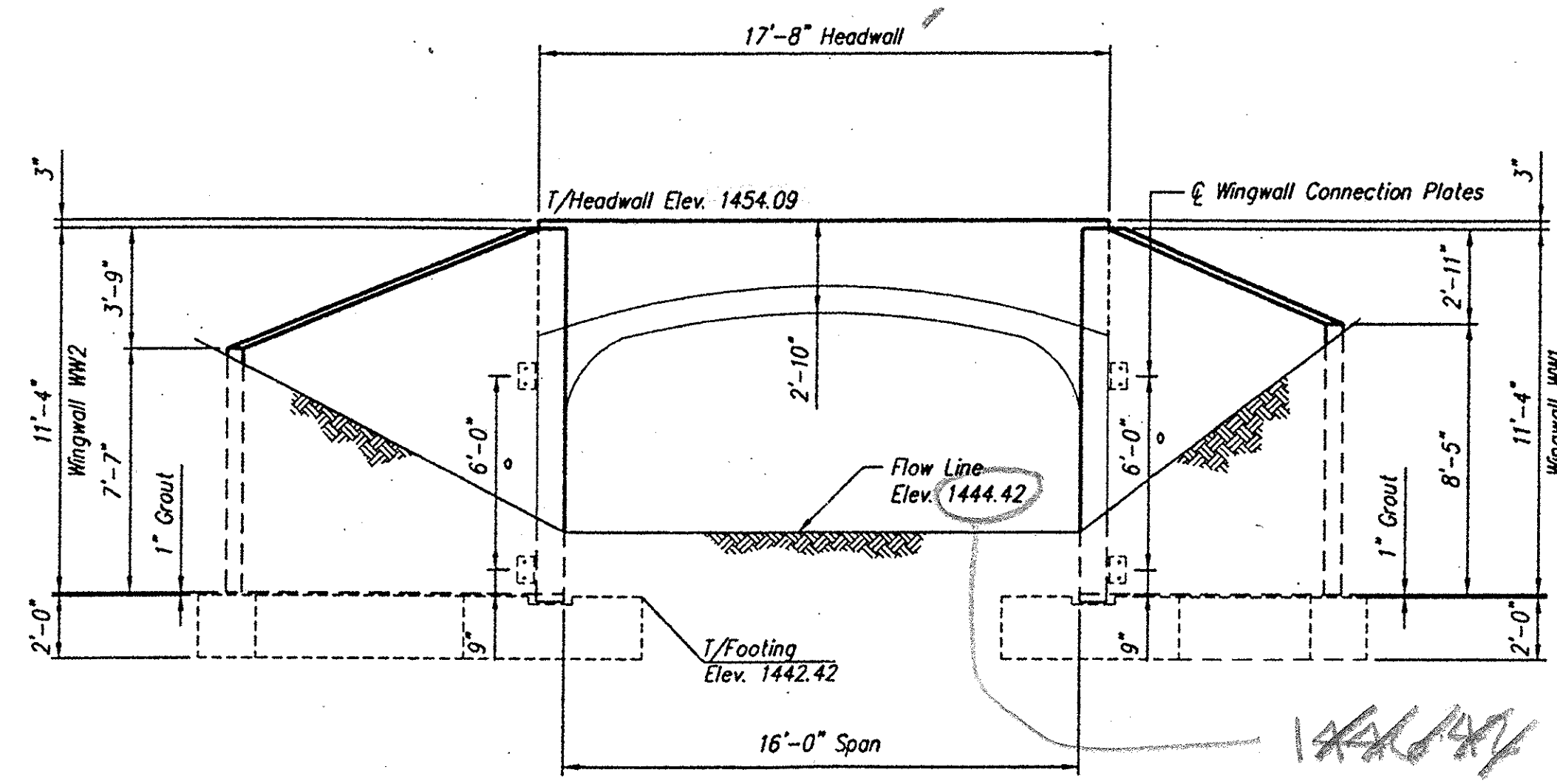


@ inlet
 @ outlet
 Buels design of headwall
 flow line to top of headwall
 = 1455.64
 = 8.77 + 9.02' (1444.64 + 2')
 on this plan
 1455.64 - 1446.64 = 9



UPSTREAM END ELEVATION



DOWNSTREAM END ELEVATION

need top inside to
 be at least
 $1448.64 + 6' 6.9''$
 1455.64
 $- 1454.64$
 2
 3

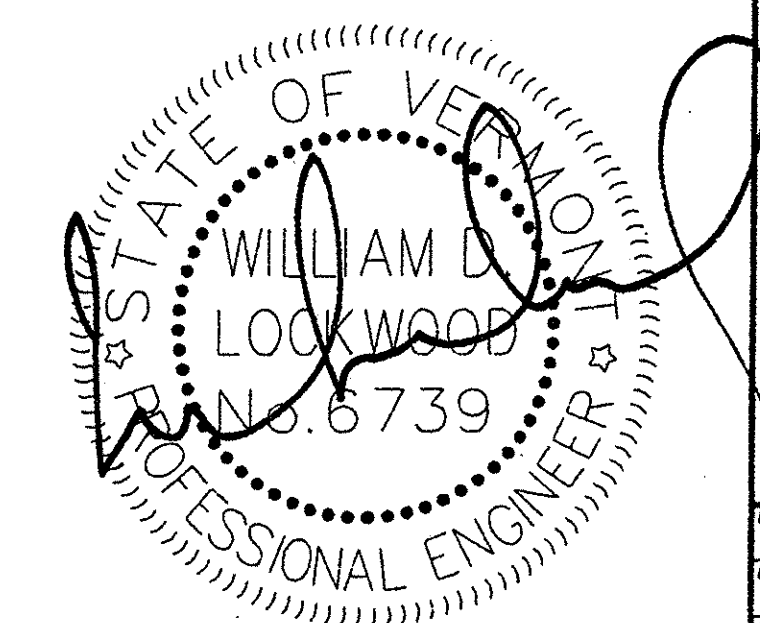
$1444.64 + 10'-11''$
 $- 2'-2'' = 1453.39$
 $- 1448.64$
 4.74

fty to inside top of
 arch = 1442.64

APPROVAL ONLY:
 NOT FOR CONSTRUCTION

RECEIVED
 CK'D BY _____ OK'D BY MEM
 JUN 29 2006
 RESUBMIT _____ APPROVED ✓
 BY _____ DATE 8/1/06

1451.26
 1453.47



6-22-06

NOTICE: The design and information shown on this drawing is provided as a service to the project owner, engineer and contractor by CONISPERM® Bridge Systems Ltd. No part of this drawing may be used, reproduced, or modified in any manner without the prior written authorization of CONISPERM® Bridge Systems Ltd. Any such use, reproduction, or modification without the prior written consent of CONISPERM® Bridge Systems Ltd. shall be deemed to constitute an unauthorized use of the CONISPERM® Bridge Systems Ltd. name and logo and shall be subject to the full and exclusive liability of CONISPERM® Bridge Systems Ltd. for any and all damages, including, but not limited to, reasonable attorney's fees, arising from such use, reproduction or modification.

If discrepancies between the technical information and actual field conditions are discovered during the construction process, these discrepancies must be reported to CONISPERM® Bridge Systems Ltd. immediately for design based on inaccurate information supplied by others. CONISPERM® Bridge Systems Ltd. accepts no liability for designs based on inaccurate information supplied by others.

The CONISPERM® Bridge System is protected by one or more patents, patents pending and trademarks.

No.	Date	REVISIONS
1		
2		
3		
4		
5		
6		
7		

3100 Research Blvd., P.O. Box 20286 Dayton, Ohio 45420-0286
 Offices: Dayton, OH (937) 254-9233; Charlotte, NC (704) 548-9420; Sacramento, CA (916) 787-9701; Albany, NY (518) 371-2871
 (800) 536-9989; (937) 254-4365 FAX; (704) 548-6586 FAX; (916) 787-8723 FAX; (518) 371-2872 FAX

VERMONT
 MONTPELIER
BUELS GORE
 035

Designed	KJG	CS Project No.	14688
Drawn	WLC	Sheet No.	C/S3
Checked	MRW	Date	6/22/06