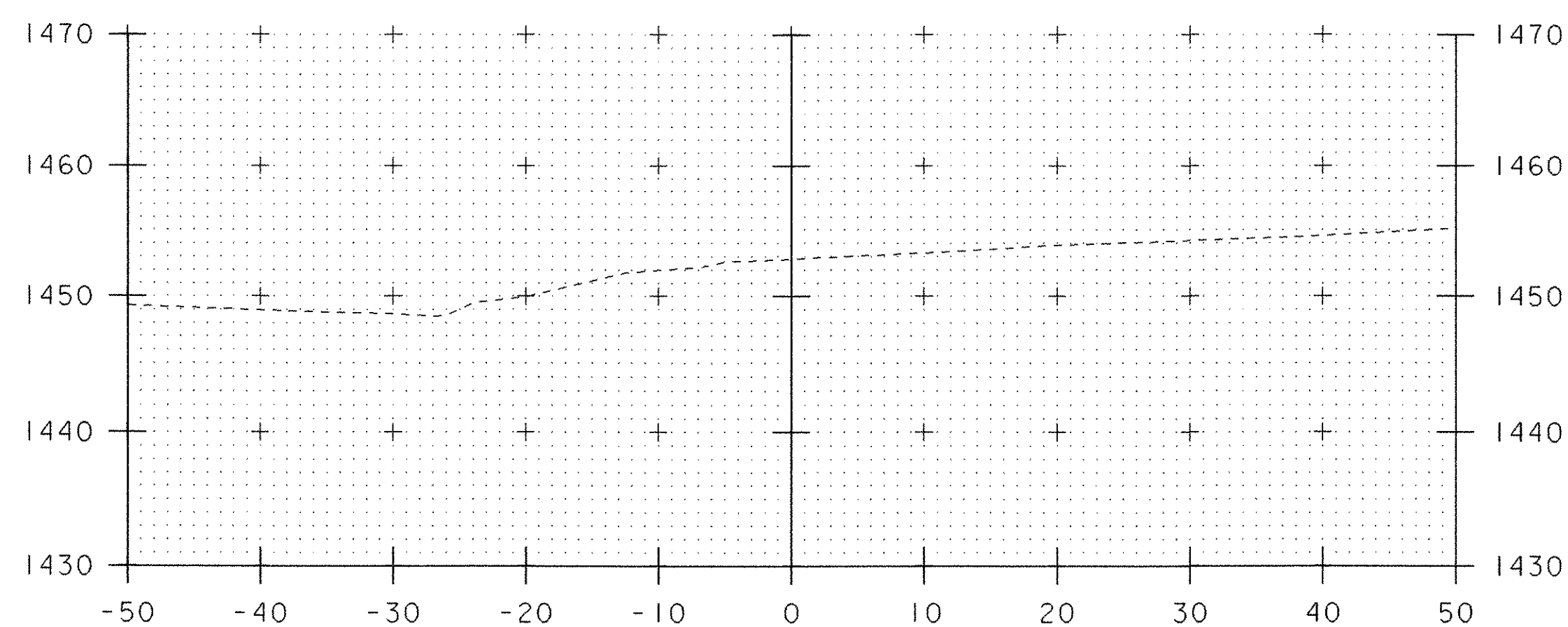
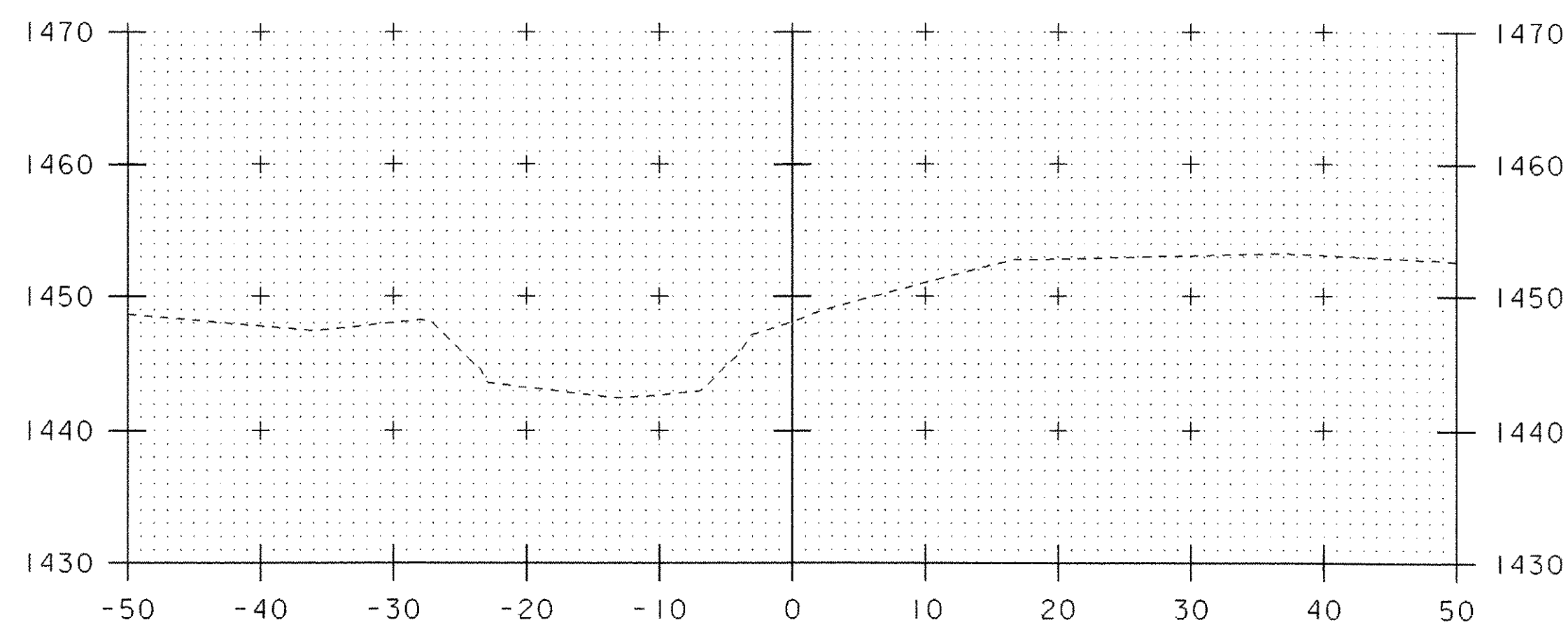


1+75



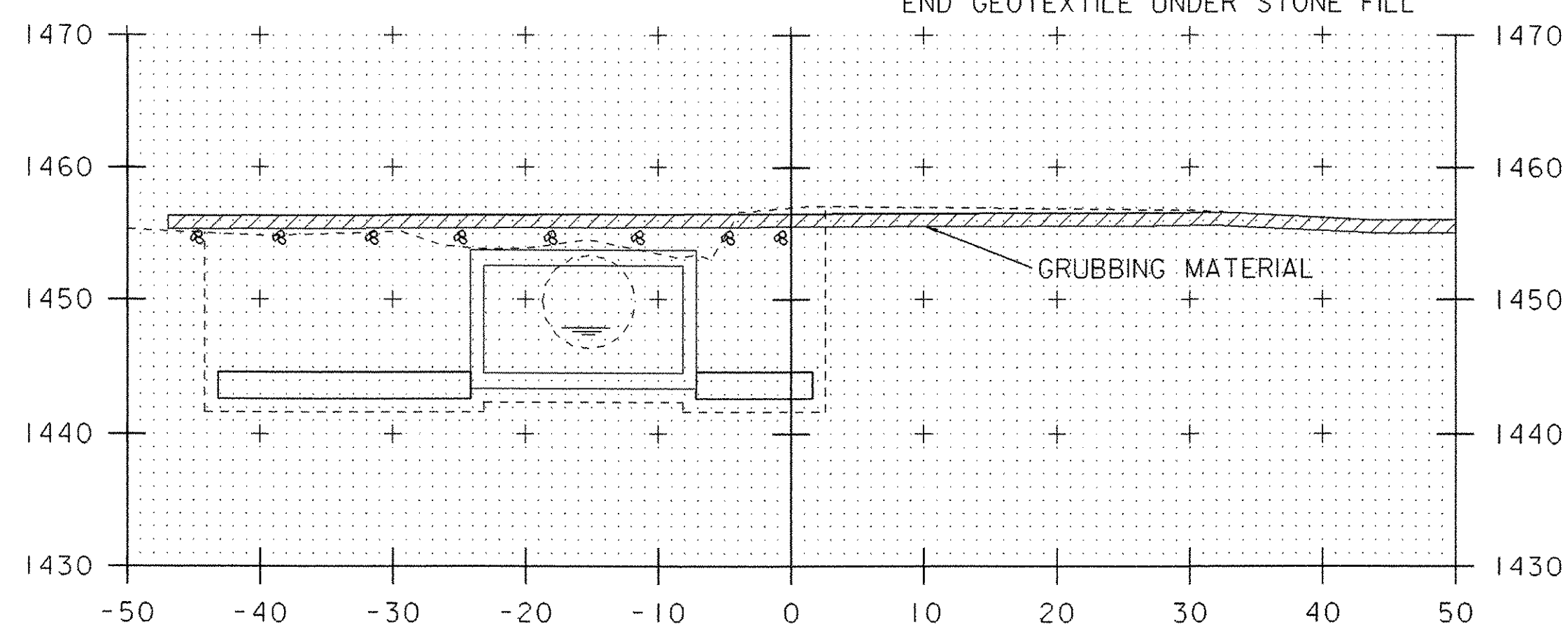
2+50

STA 2+54
 END UNCLASSIFIED CHANNEL EXCAVATION
 END GRANULAR BACKFILL FOR STRUCTURES
 END GRUBBING MATERIAL
 END STONE FILL, TYPE II
 END GEOTEXTILE UNDER STONE FILL

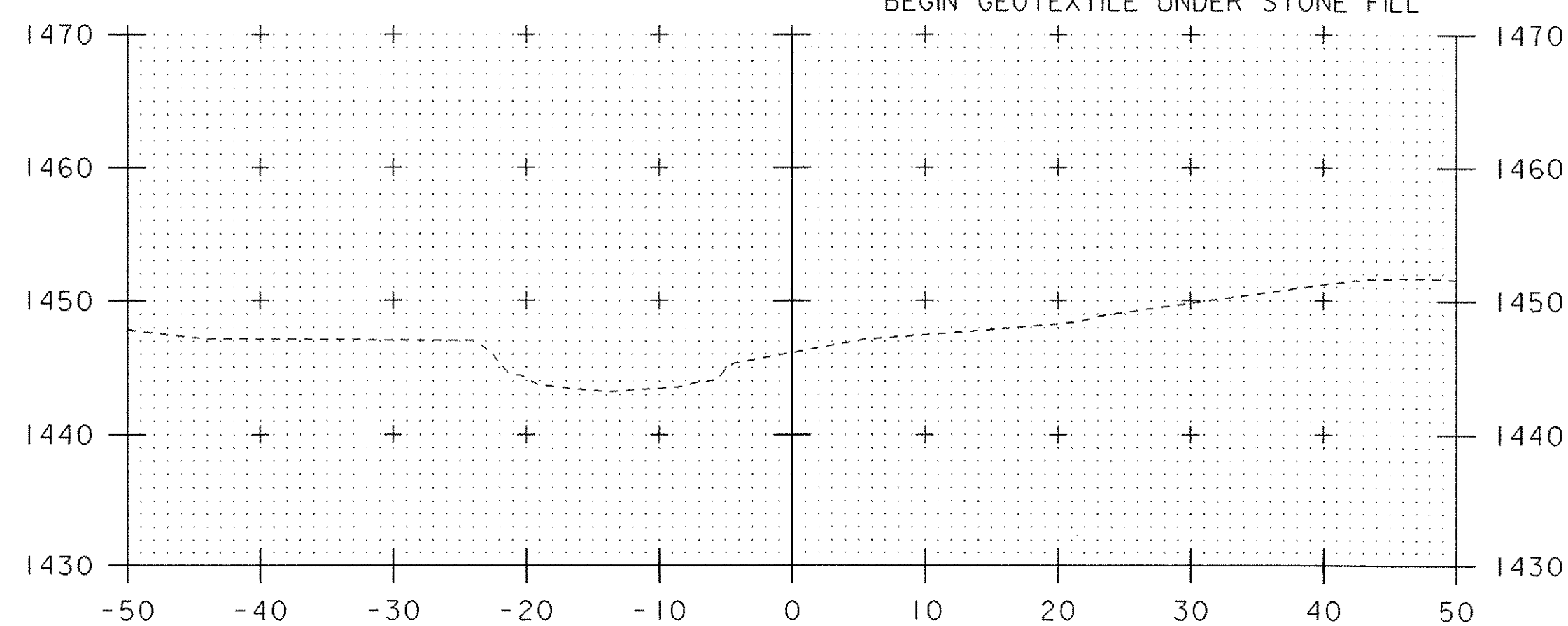


1+50

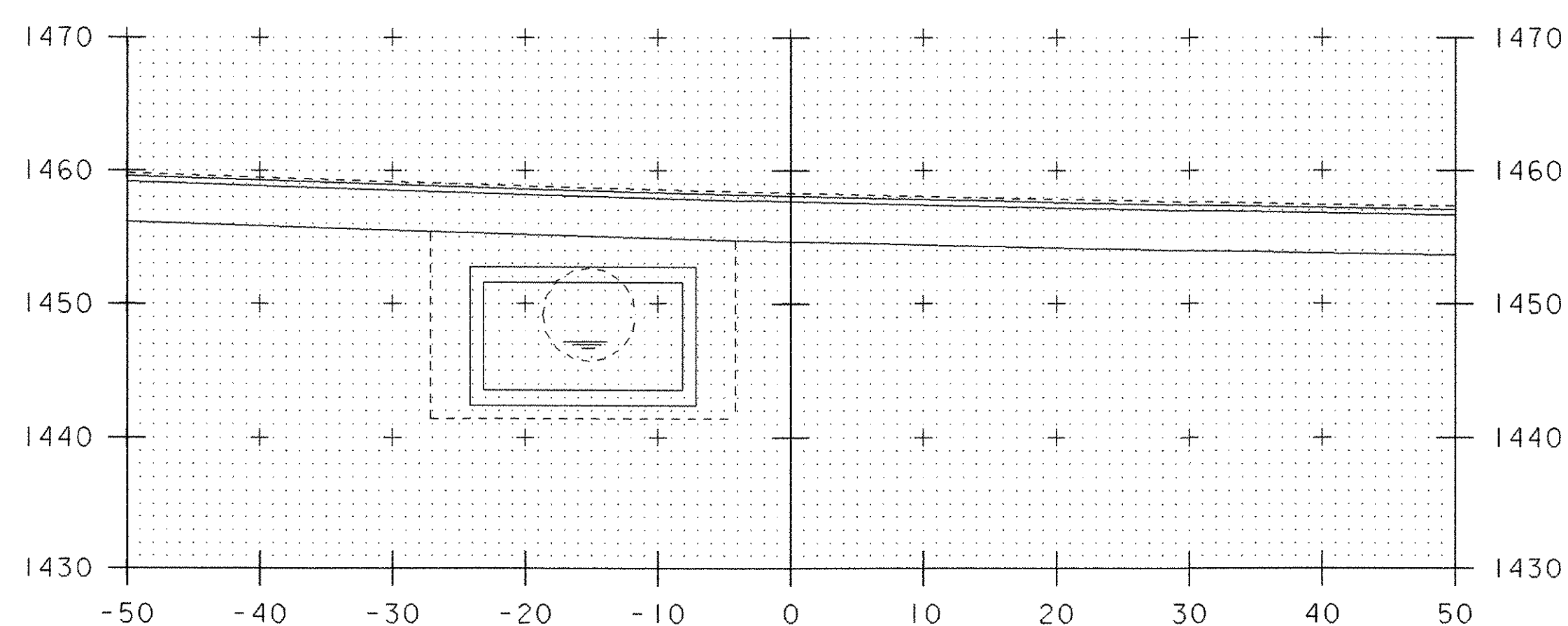
STA 1+51
 BEGIN UNCLASSIFIED CHANNEL EXCAVATION
 BEGIN GRANULAR BACKFILL FOR STRUCTURES
 BEGIN GRUBBING MATERIAL
 BEGIN STONE FILL, TYPE II
 BEGIN GEOTEXTILE UNDER STONE FILL



2+25



1+25



2+00

DATUM
 VERTICAL NAVD 27
 HORIZONTAL ASSUMED

SCALE 1" = 10'-0"

CHANNEL SECTIONS 1+25 - 2+50

PROJECT NAME: BUEL'S GORE	PLOT DATE: 05-APR-2006
PROJECT NUMBER: STP ST CULV(I)	DRAWN BY: W. FARLEY
FILE NAME: /structures/s04cl38xs.dgn	CHECKED BY: M. EVANS-MONGEON
PROJECT LEADER: M. EVANS-MONGEON	SHEET 30 OF 30
DESIGNED BY: W. FARLEY	
s04cl38cx1.l	