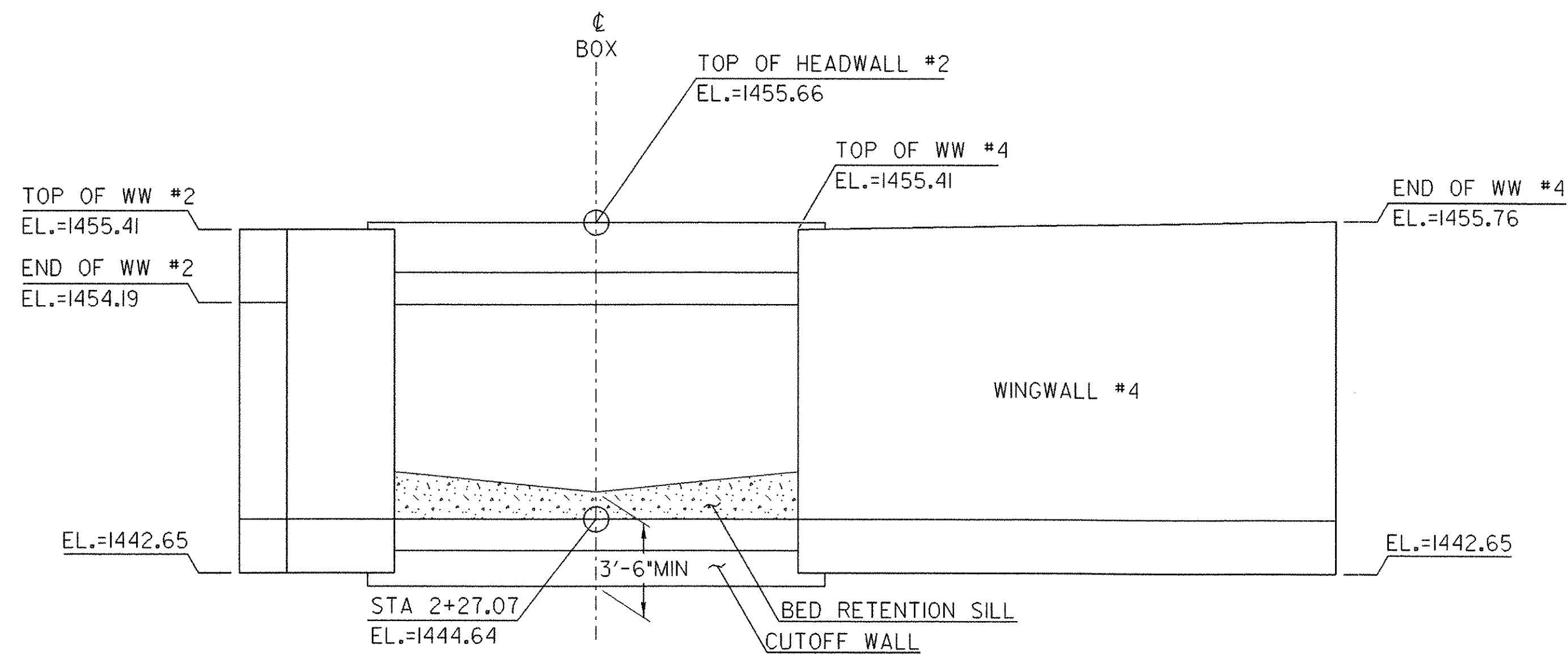
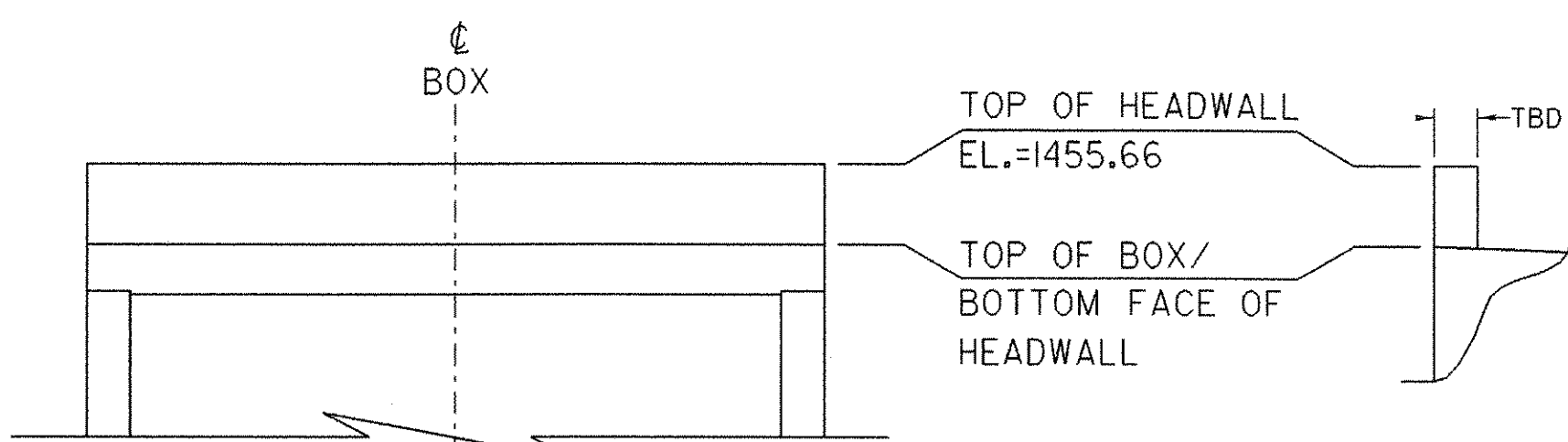


WINGWALL #2 & #4 PLAN

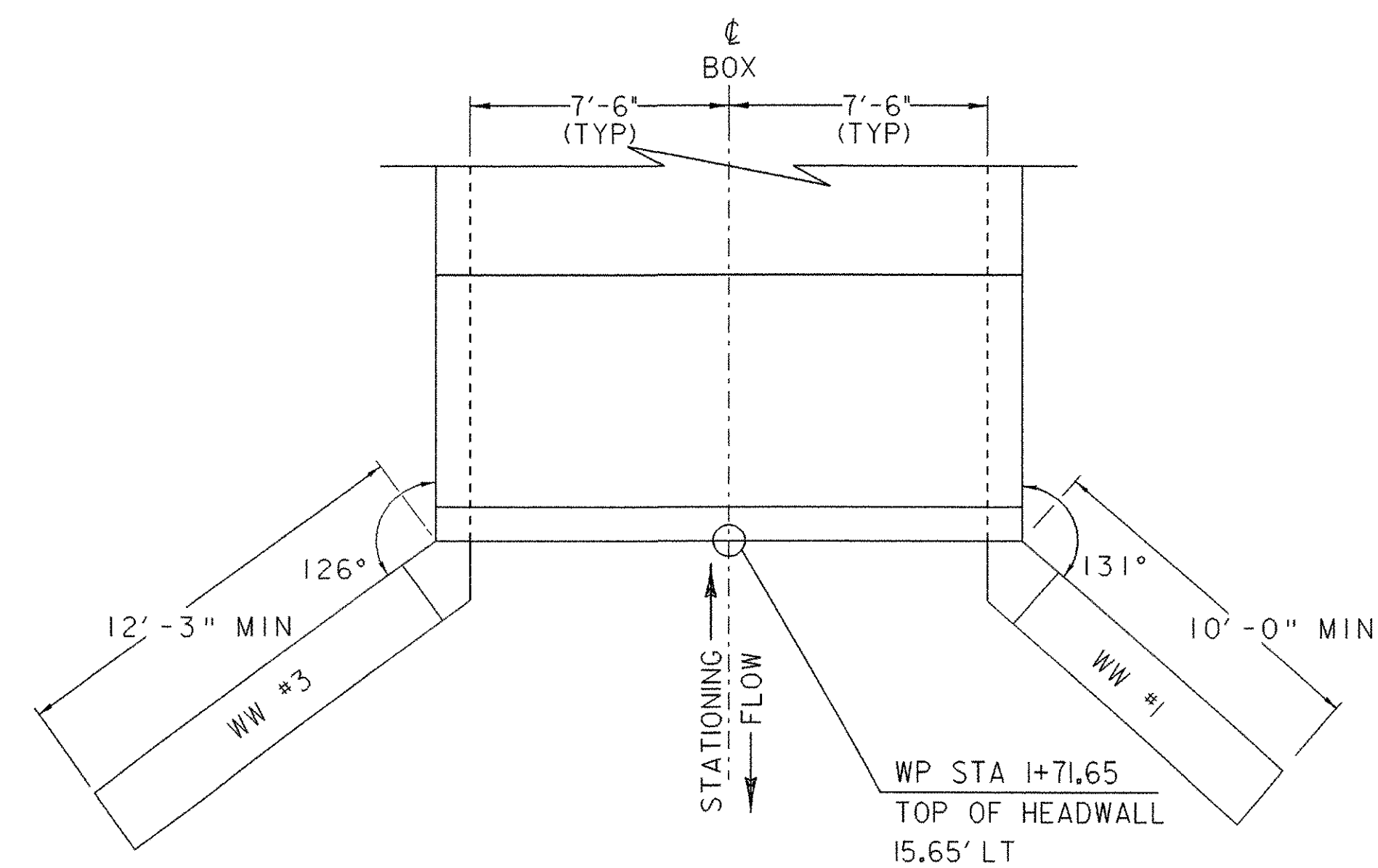
**NOTE:**  
WINGWALL THICKNESS IS SHOWN FOR ILLUSTRATION. THE FABRICATOR WILL DETERMINE THE APPROPRIATE THICKNESS.



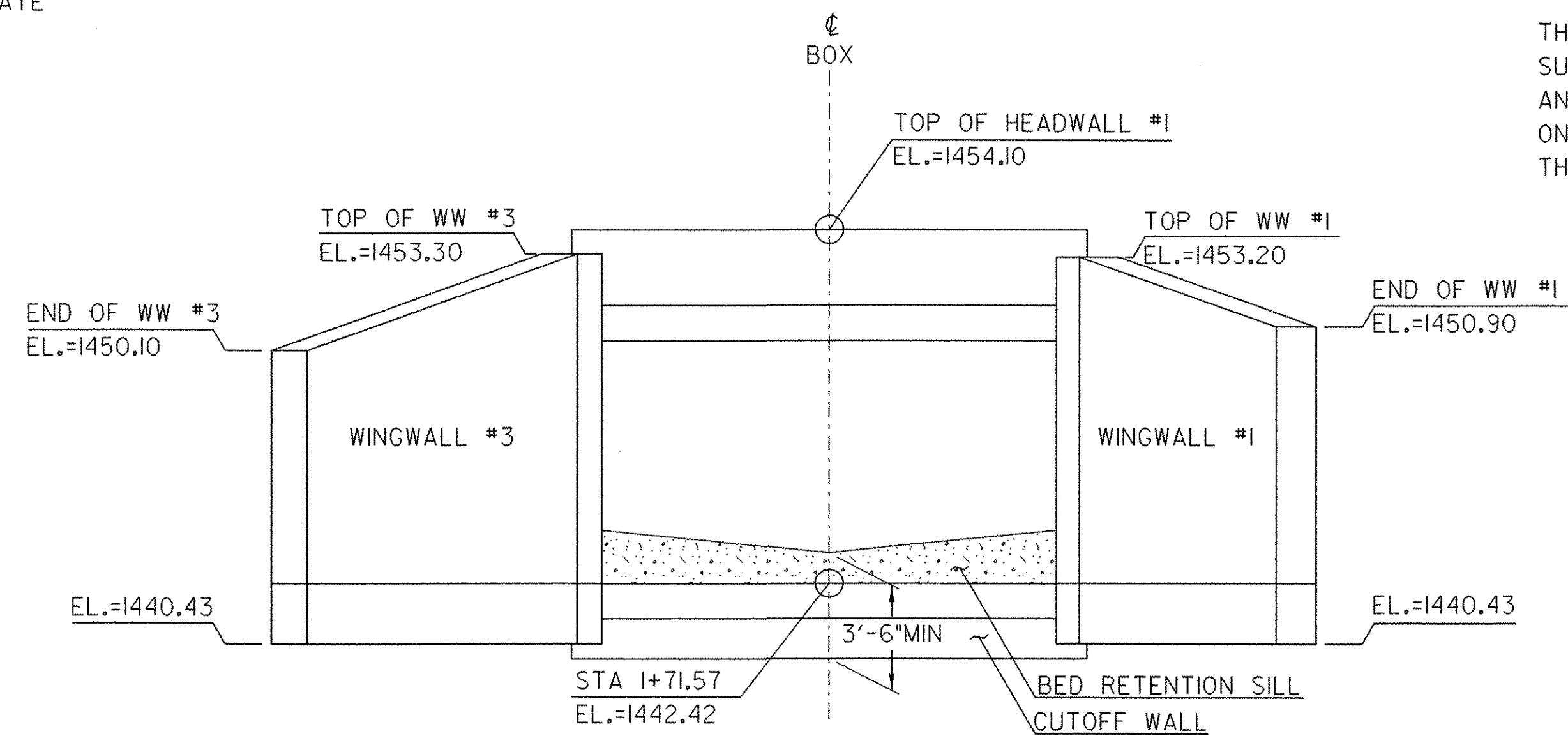
WINGWALL #2 & #4 ELEVATION



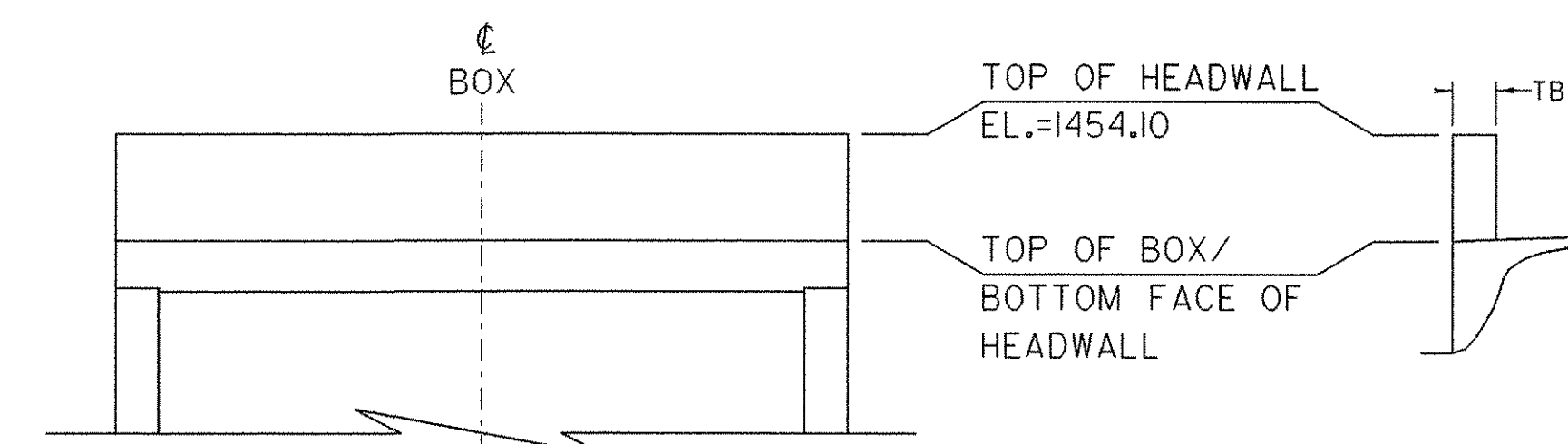
HEADWALL #2 ELEVATION



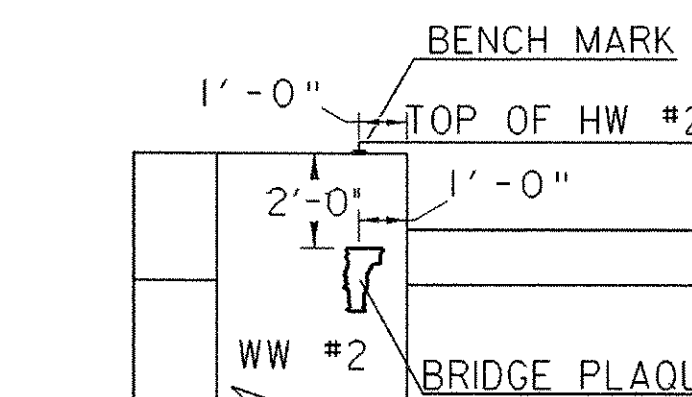
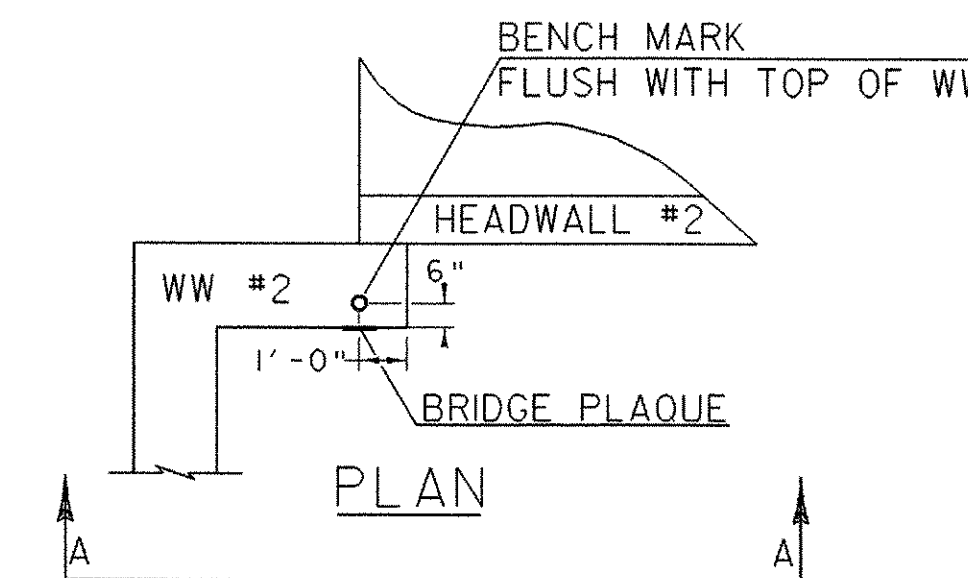
WINGWALL #1 & #3 PLAN



WINGWALL #1 & #3 ELEVATION



HEADWALL #1 ELEVATION



VIEW A-A  
BENCH MARK AND BRIDGE PLAQUE LOCATION

THE BENCH MARK AND BRIDGE PLAQUE WILL BE SUPPLIED BY THE AGENCY OF TRANSPORTATION AND SHALL BE INSTALLED BY THE CONTRACTOR ON WINGWALL #2 AS SHOWN OR AS DIRECTED BY THE RESIDENT ENGINEER.

**WINGWALL & HEADWALL DETAILS**

PROJECT NAME: BUELS GORE	PLOT DATE: 05-APR-2006
PROJECT NUMBER: STP ST CULV(I)	DRAWN BY: W. FARLEY
FILE NAME: 04cl38/structures/s04cl38ww.dgn	CHECKED BY: M EVANS-MONGEON
PROJECT LEADER: M. EVANS-MONGEON	SHEET 24 OF 30
DESIGNED BY: W. FARLEY	
IPARM: s04cl38ww.i	

