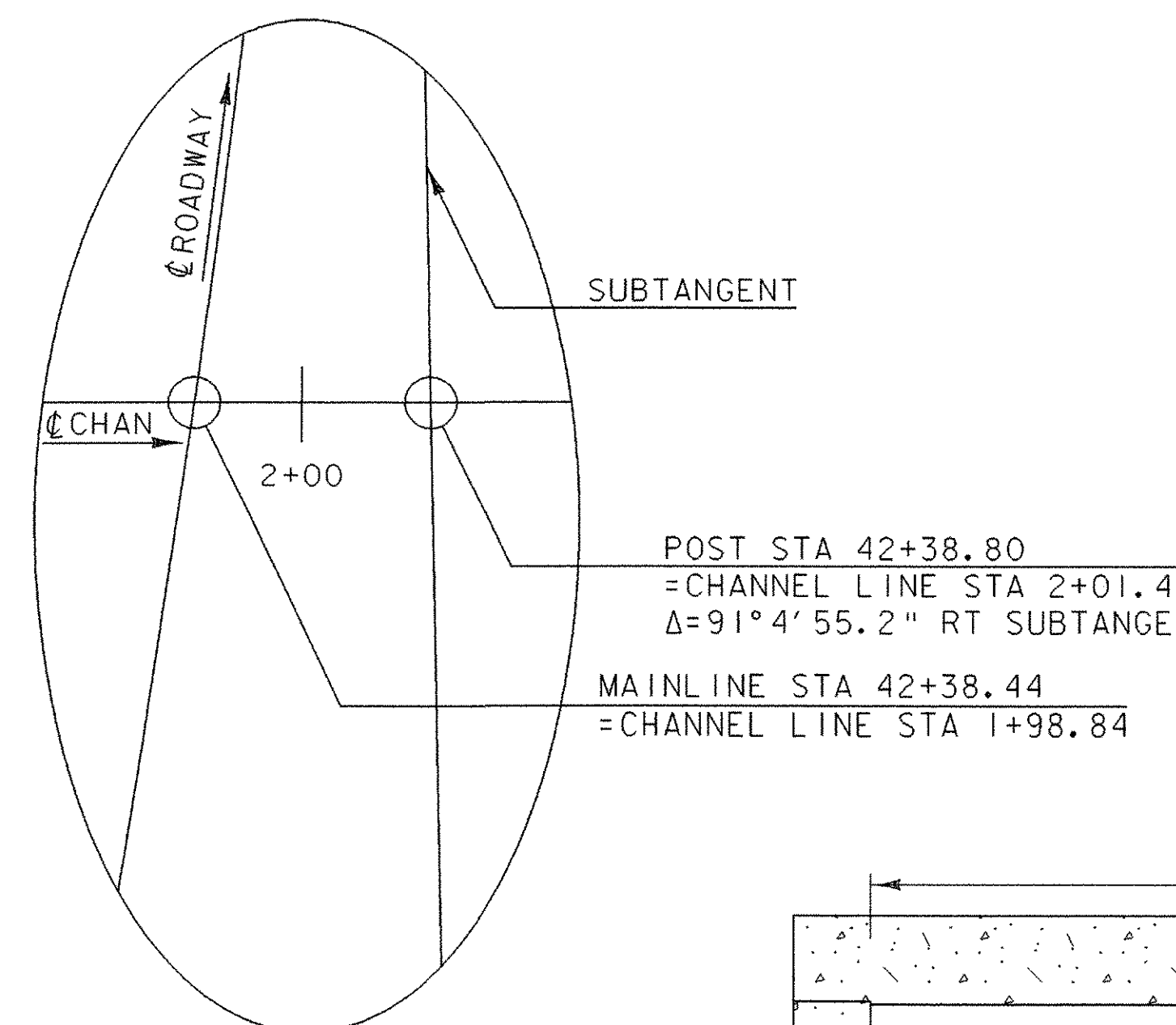
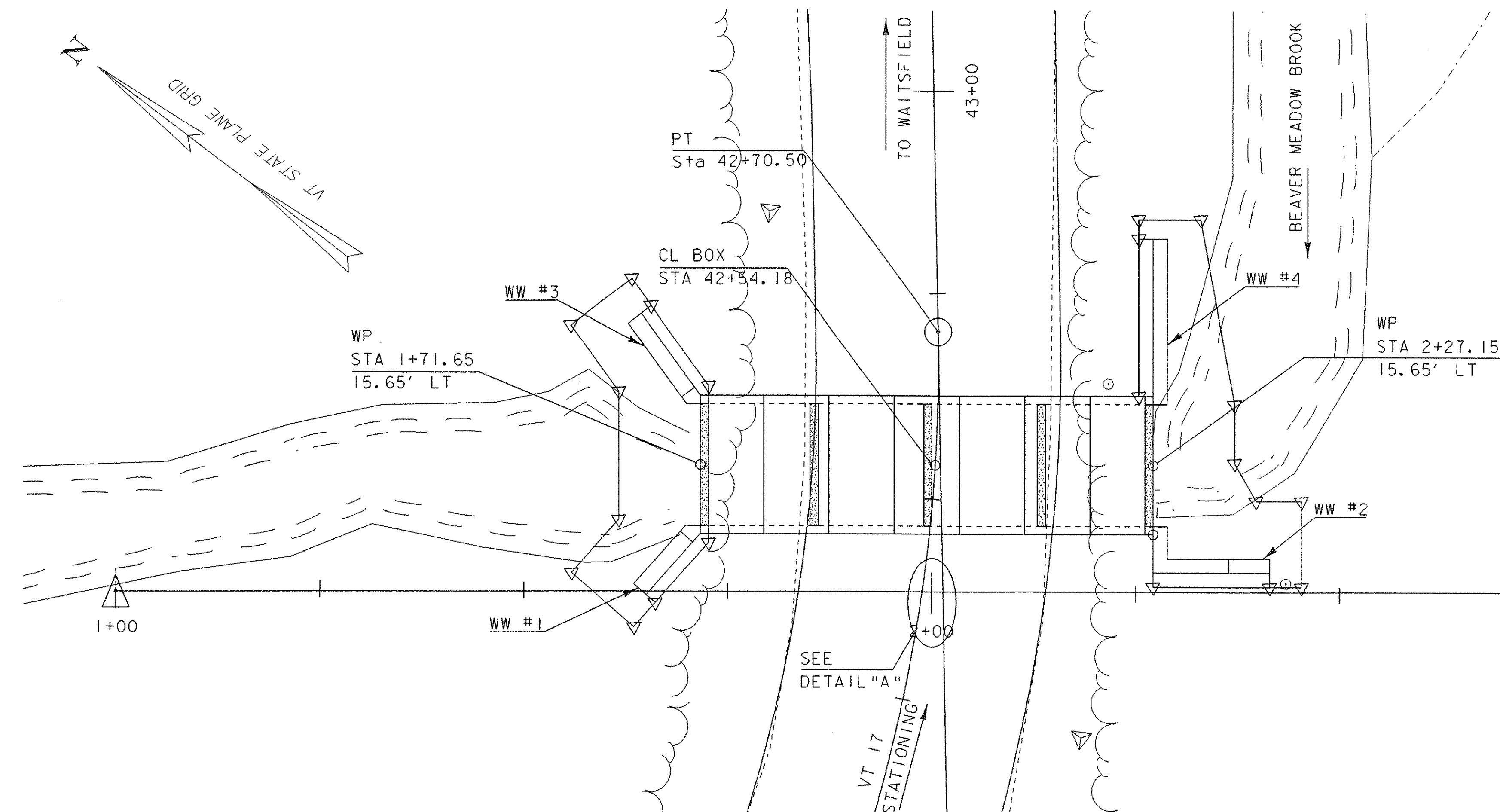


NOTES

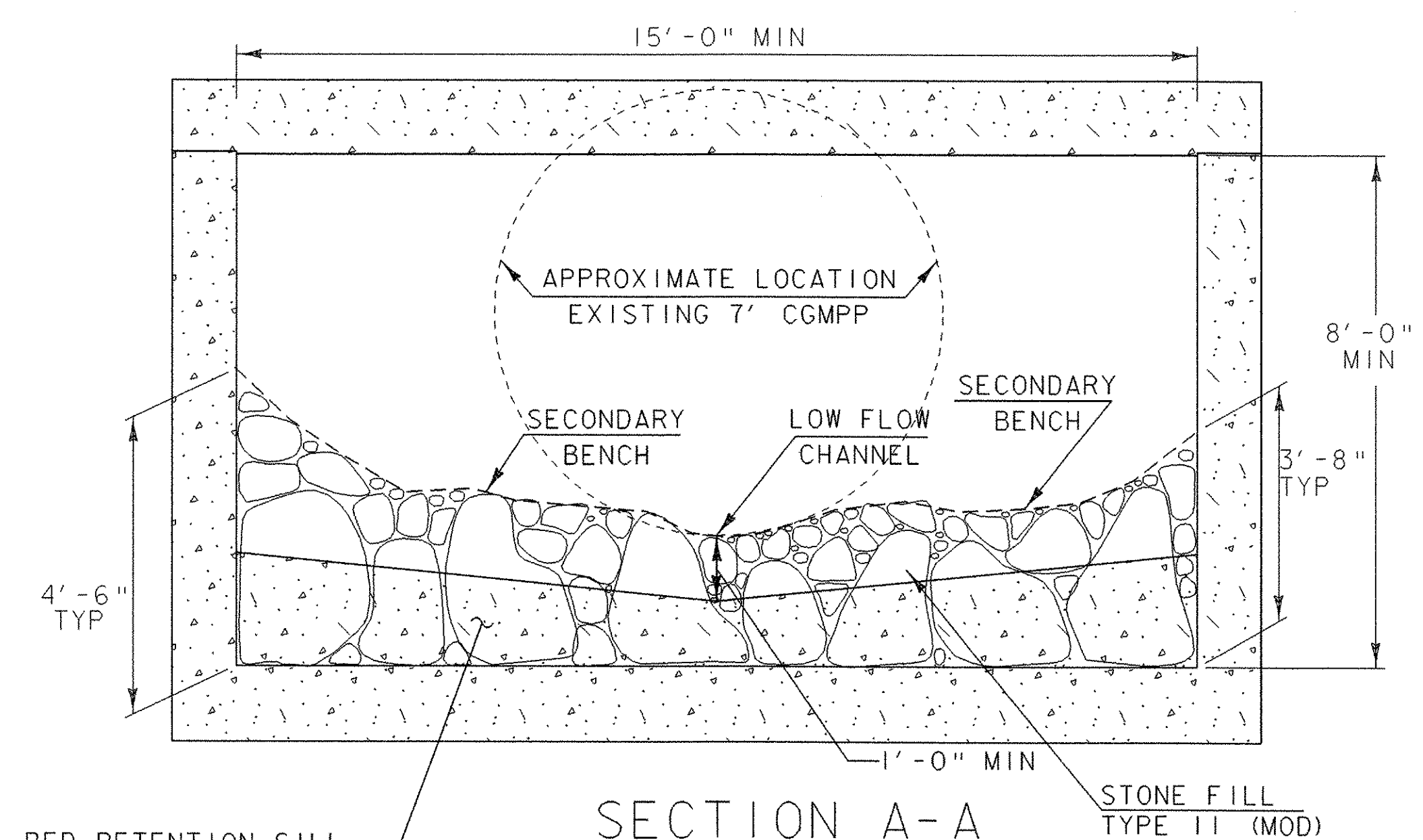
- SECTION A-A ILLUSTRATES STONE FILL, TYPE II (MOD) PLACEMENT AT THE BED RETENTION SILLS.
- CONTINUE THE STONE PLACEMENT PATTERN WITHIN THE BOX TO A POINT 10 FEET BEYOND THE INLET AND OUTLET OR TO THE LIMITS SHOWN ON THE PLANS IN ORDER TO BLEND INTO THE EXISTING STREAM BOTTOM.
- WINGWALL THICKNESS IS SHOWN ONLY FOR ILLUSTRATION. THE FABRICATOR WILL DETERMINE THE APPROPRIATE THICKNESS.



DETAIL "A"
NTS

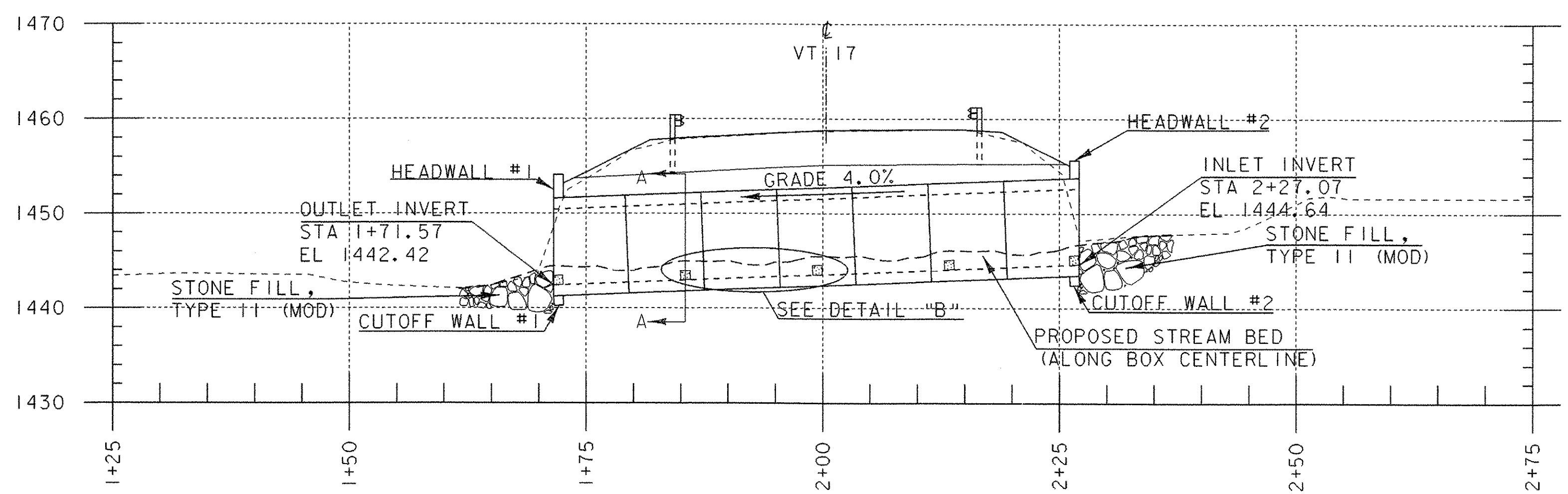
PRECAST CONCRETE BOX - LAYOUT

SCALE 1" = 10'-0"



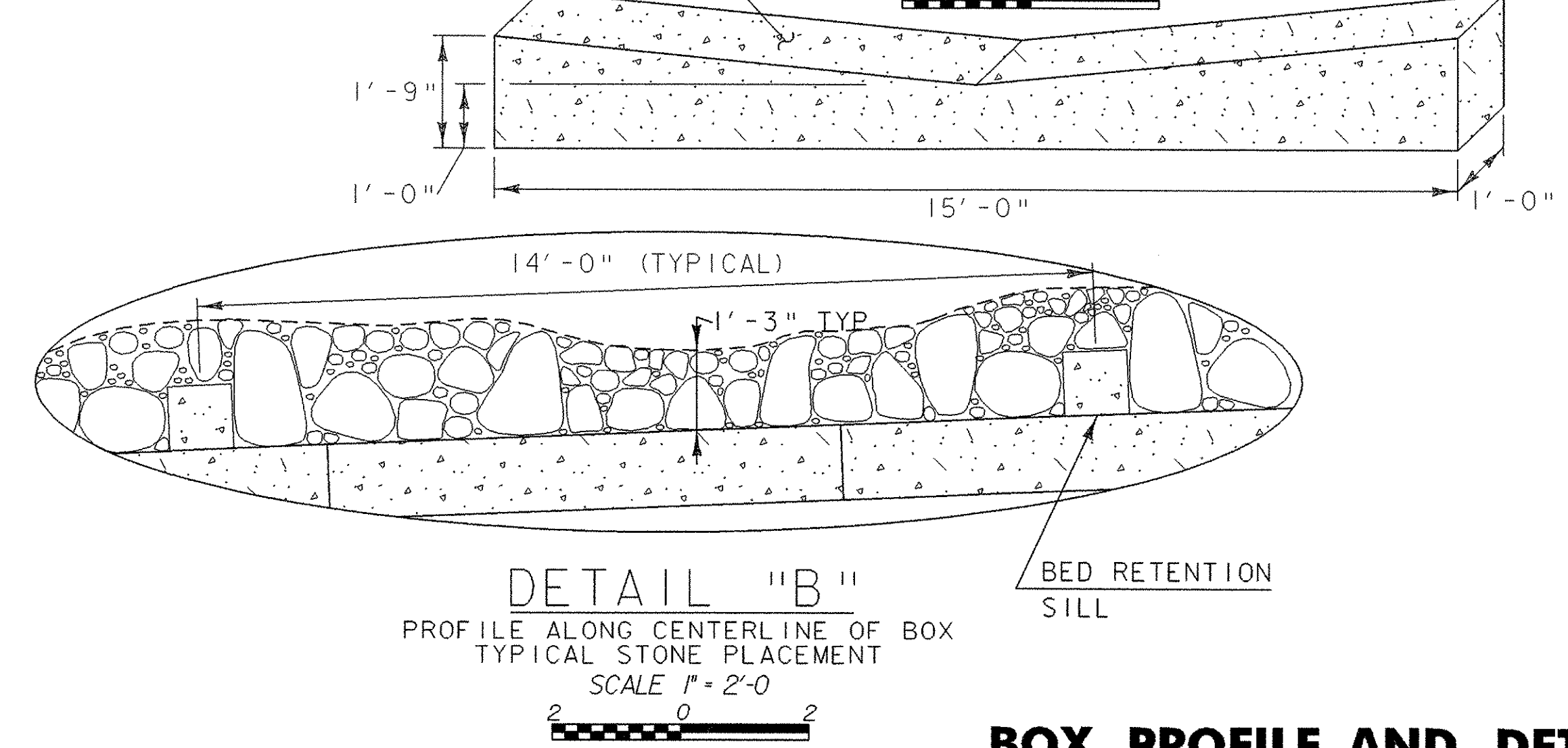
SECTION A-A
PRECAST CONCRETE BOX TYPICAL SECTION AND STONE PLACEMENT

SCALE 1" = 2'-0"



PRECAST CONCRETE BOX - PROFILE

SCALE 1" = 10'-0"



DETAIL "B"
PROFILE ALONG CENTERLINE OF BOX TYPICAL STONE PLACEMENT

SCALE 1" = 2'-0"

BOX PROFILE AND DETAILS

PROJECT NAME:	BUELS GORE	PLOT DATE:	05-APR-2006
PROJECT NUMBER:	STP ST CULV(I)	DRAWN BY:	W. FARLEY
FILE NAME:	04ci38/str/s04ci38chanpro.dgn	DESIGNED BY:	W. FARLEY
PROJECT LEADER:	M. EVANS-MONGEON	CHECKED BY:	M. EVANS-MONGEON
IPARM:	04ci38chanpro.i	SHEET	23 OF 30