

MATERIAL TOLERANCE TABLE

MATERIAL ITEM	THICKNESS TOLERANCE
PAVEMENT (TOTAL DEPTH)	± 1/4"
BASE COURSE (TOTAL DEPTH)	± 1/2"
SUBBASE (TOTAL DEPTH)	± 1"

TYPICAL SECTIONS

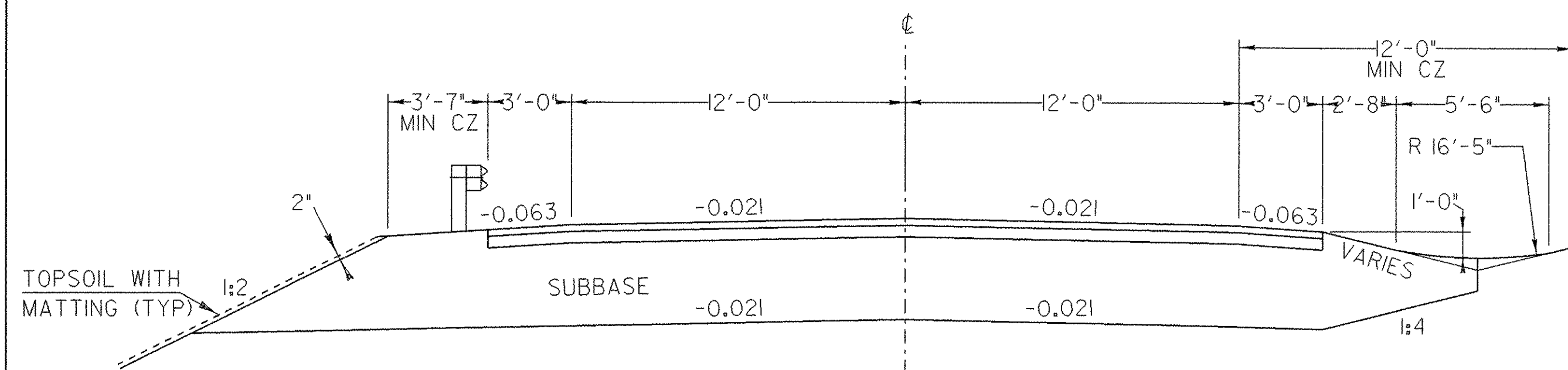
3" BITUMINOUS CONCRETE, TYPE III OR IV (TWO-1/2" LIFTS) (PG 58-34)
 5" BITUMINOUS CONCRETE, TYPE I OR II (TWO-2 1/2" LIFTS) (PG 58-34)
 36" SUBBASE OF DENSE GRADED CRUSHED STONE

SEEDING FORMULA RURAL AREAS

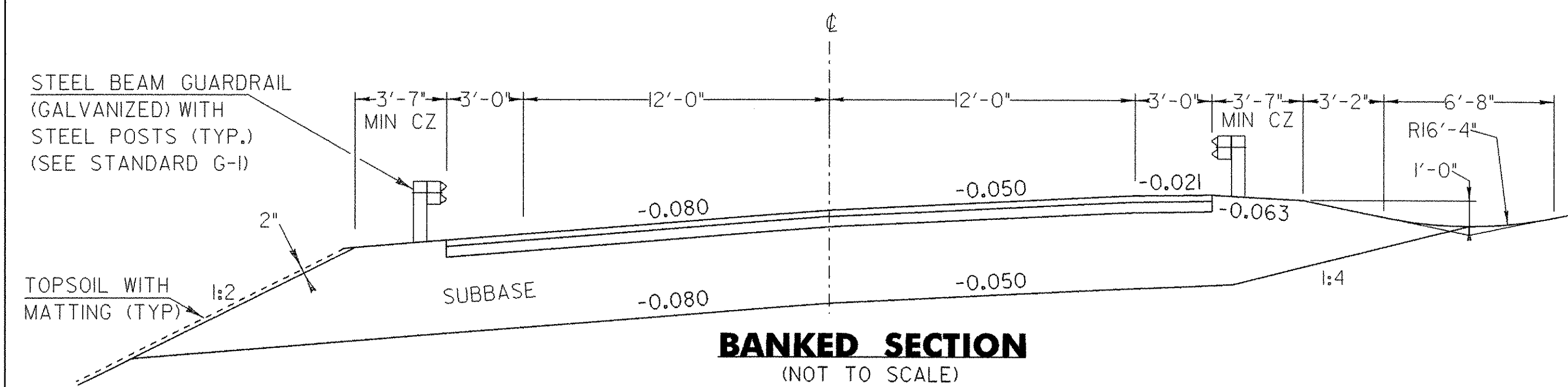
% WT.	LBS./A.	NAME	PUR %	GERM %
37.5	22.5	CREeping RED FESCUE	98	85
37.5	22.5	TALL FESCUE	95	90
5.0	3.0	RED TOP	95	90
15.0	9.0	BIRDSFOOT TREFOIL	98	85
5.0	3.0	ANNUAL RYEGRASS	95	85
100.0	60.0			

GENERAL NOTES

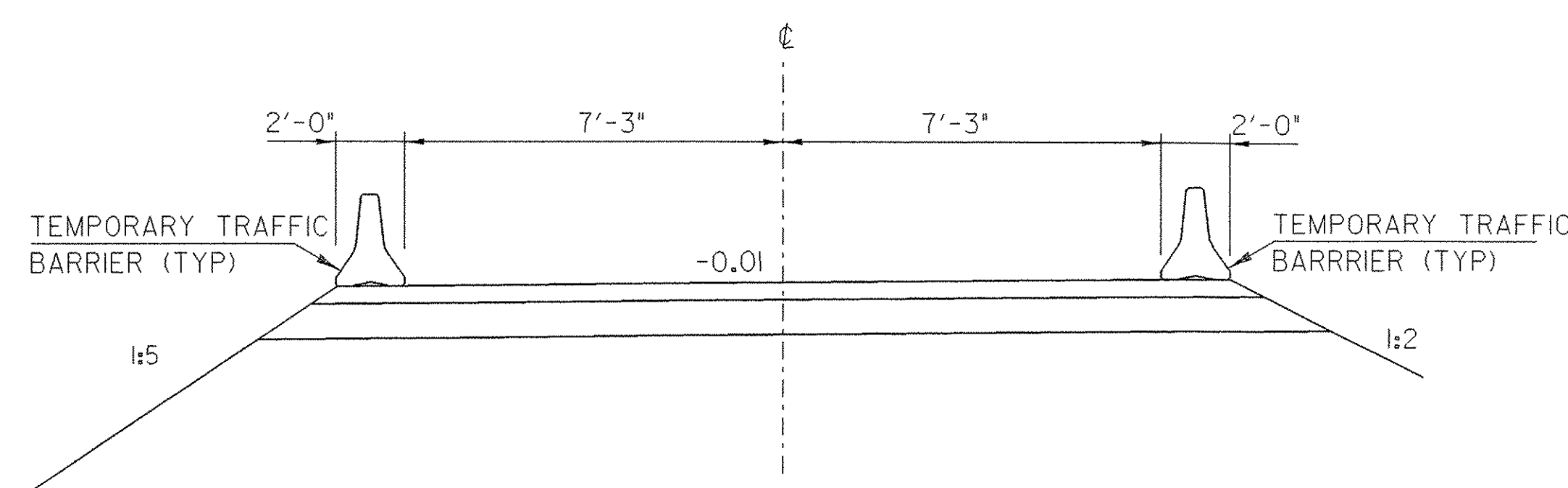
SEED MIXTURE: SHALL NOT HAVE A WEED CONTENT EXCEEDING 0.40% BY WEIGHT AND SHALL BE FREE OF ALL NOXIOUS SEED.
 SEED: TO BE APPLIED PER SEEDING FORMULAS OR AS DIRECTED BY THE ENGINEER.
 FERTILIZER: FORMULA 10-20-10, TO BE USED WITH SEED, APPLIED AT THE RATE OF 500 LBS./ACRE. (HYDRO SEEDERS MAY USE 19-19-19 FORMULA).
 AGRICULTURAL LIMESTONE: TO BE APPLIED AT THE RATE OF 2 TONS/ACRE, OR AS DIRECTED BY THE ENGINEER.
 HAY MULCH: TO BE PLACED ON EARTH SLOPES AT THE RATE OF 2 TONS/ACRE, OR AS DIRECTED BY THE ENGINEER.
 TOPSOIL: TO BE USED WITH SEED AS INDICATED ON THE PLANS, OR AS DIRECTED BY THE ENGINEER.



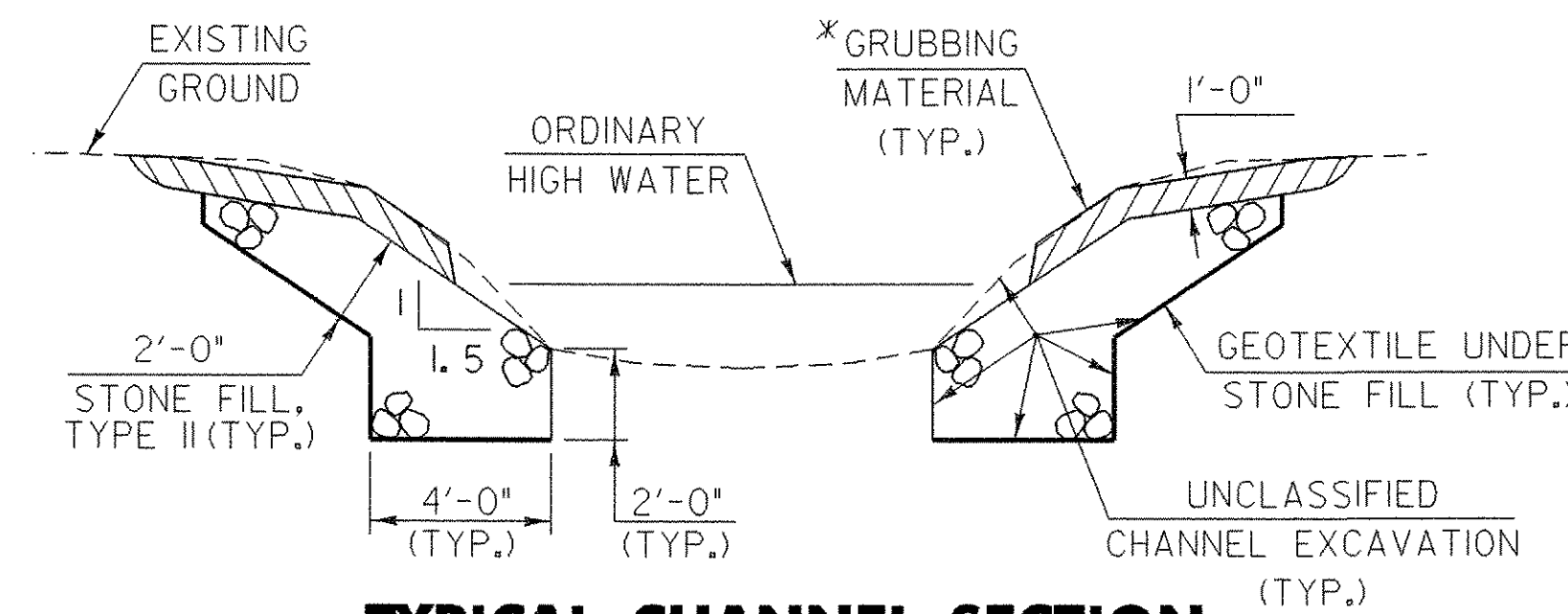
NORMAL SECTION
(NOT TO SCALE)



BANKED SECTION
(NOT TO SCALE)

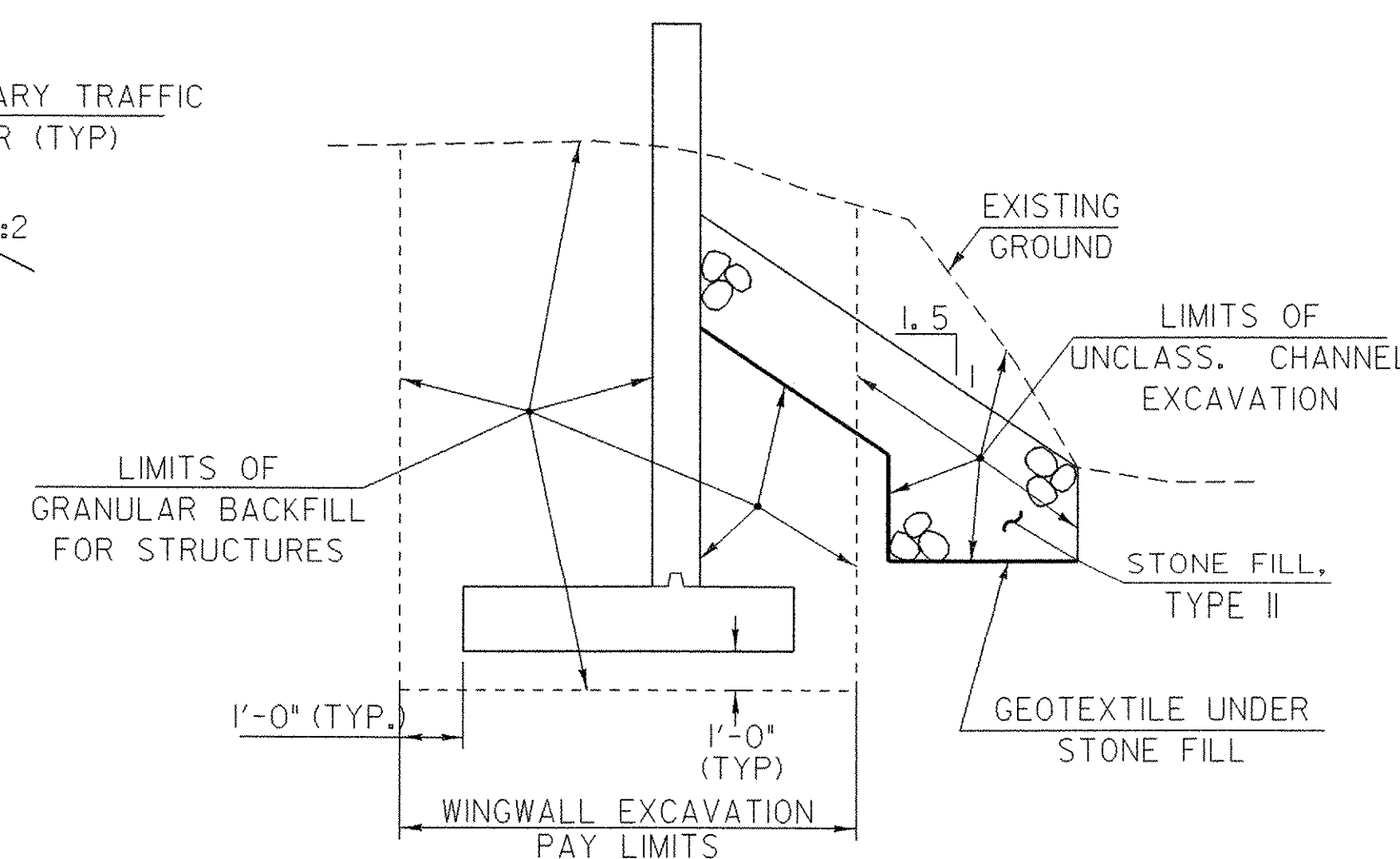


DETOUR SINGLE LANE TYPICAL SECTION
 6" AGGREGATE SURFACE COURSE
 12" GRAVEL SUBBASE
 (NOT TO SCALE)

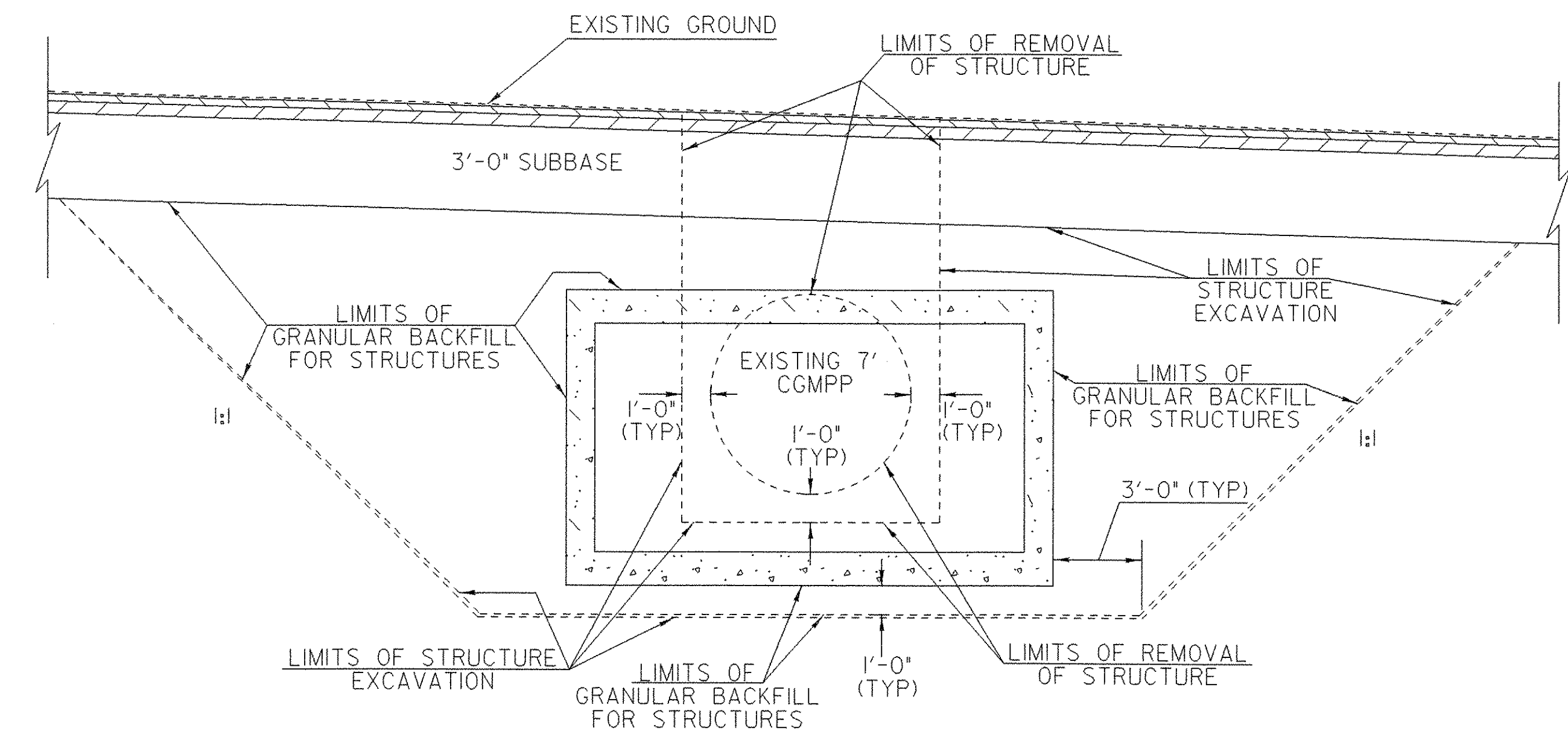


TYPICAL CHANNEL SECTION

(NOT TO SCALE)
 * GRUBBING MATERIAL SHALL NOT BE PLACED ON THE STONE FILL IN THE AREA UNDER THE BRIDGE. WHENEVER CHANNEL SLOPE INTERSECTS ROADWAY SUBBASE, GRUBBING MATERIAL SHALL BEGIN AT THE BOTTOM OF SUBBASE.



TYPICAL WINGWALL SECTION
(NOT TO SCALE)



TYPICAL BOX SECTION EXCAVATION AND FILL LIMITS

(NOT TO SCALE)
 LIMITS OF STRUCTURE EXCAVATION WILL BE THE DIFFERENCE BETWEEN THE LIMITS SHOWN FOR THE REMOVAL OF STRUCTURE AND THE LIMITS OF STRUCTURE EXCAVATION SHOWN FOR THE NEW PRECAST BOX CULVERT EXCAVATION.

TYPICAL SECTIONS

PROJECT NAME:	BUELS GORE
PROJECT NUMBER:	STP ST CULV(I)
FILE NAME:	04cl38/structures/s04cl38typ.dgn
PROJECT LEADER:	M. EVANS-MONGEON
DESIGNED BY:	W. FARLEY
IPARM:	s04cl38typ.i
PLLOT DATE:	05-APR-2006
DRAWN BY:	W. FARLEY
CHECKED BY:	M. EVANS-MONGEON
SHEET	3 OF 30