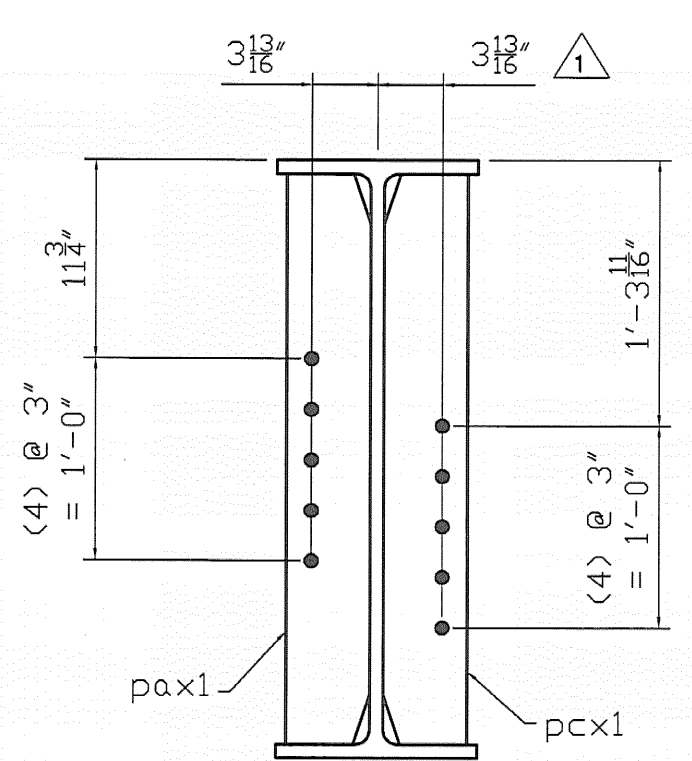
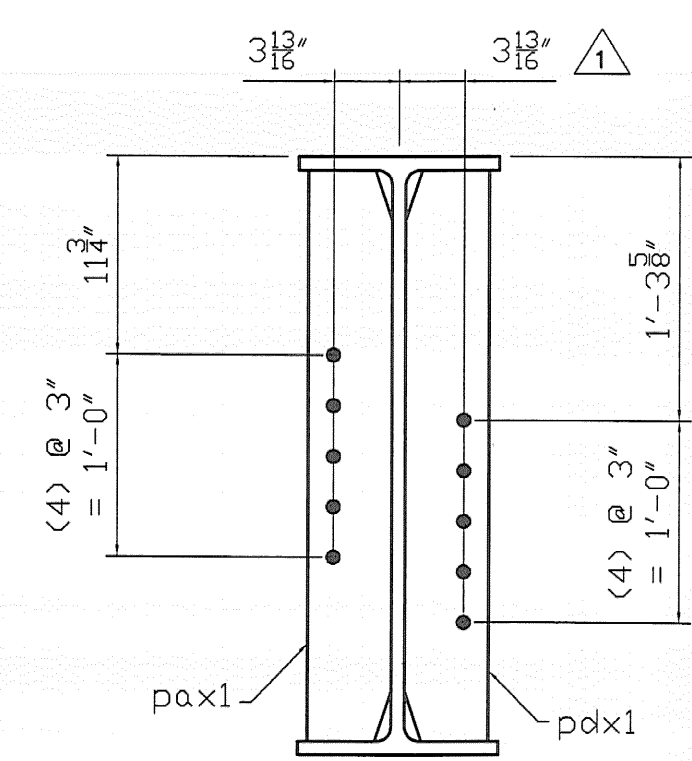
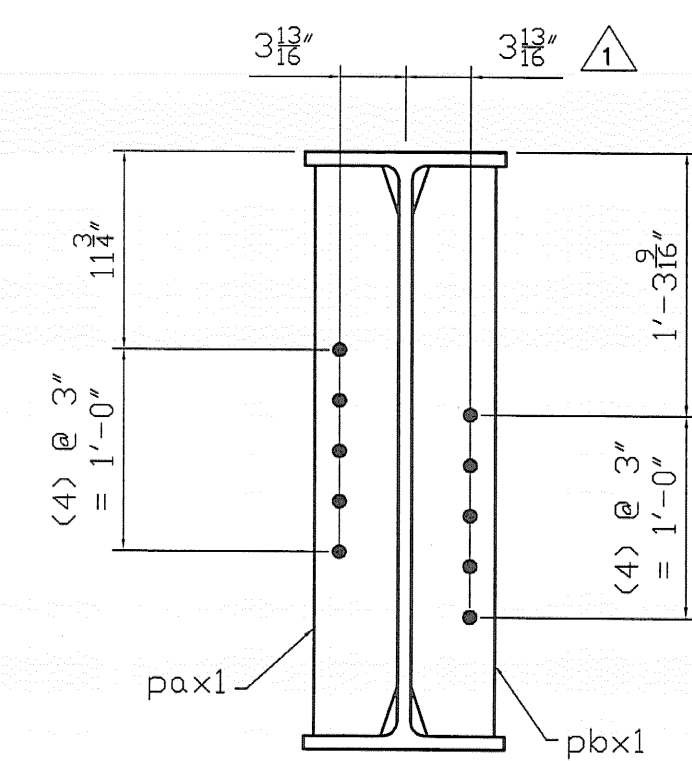
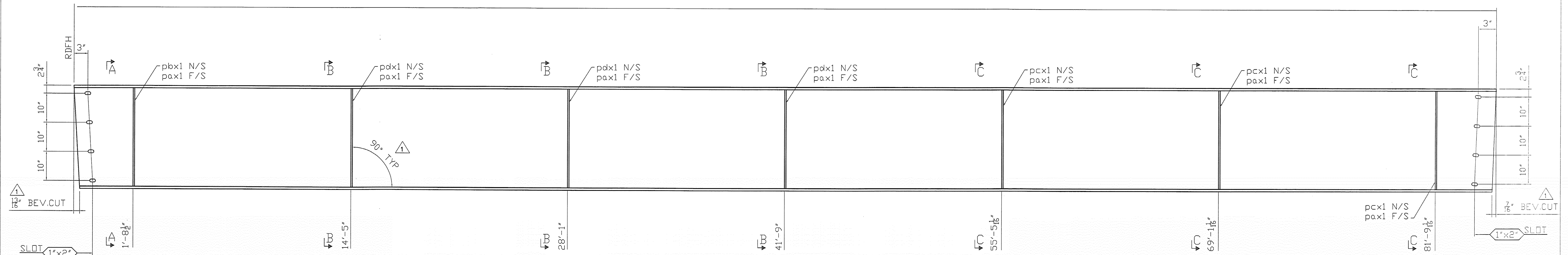
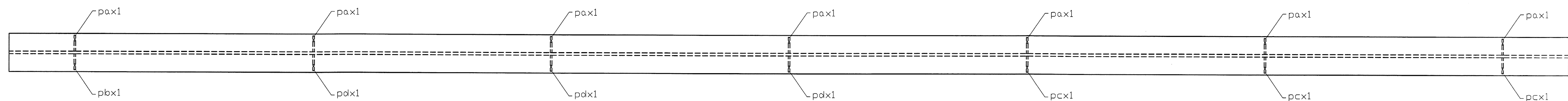


SHIPPER		BILL OF MATERIAL					
NO.	MARK	NO.	MARK	SIZE	LENGTH	REMARKS	WEIGHT
1	5A			W36X135	83'-6 1/16"	CVN/BEVEL	--
		7	pa x1	PL 1/2 x 5	2'-9 7/8"		--
		1	pb x1	PL 1/2 x 5	2'-9 7/8"		--
		3	pc x1	PL 1/2 x 5	2'-9 7/8"		--
		3	pd x1	PL 1/2 x 5	2'-9 7/8"		--



RECEIVED
 8K931 SSS OK'D BY *mjm*
 JAN
 1/26/09

NOTE:
 1. FOR GENERAL NOTES SEE GN

SHOP NOTES
 HOLES 15/16"Ø (U.N.)
 BOLTS NONE
 PAINT SEE GN DWG
 WELDS TO BE MADE USING ER80-NiL ELECTRODES
 MATERIAL M270 Gr.50

REV. NO.	DATE	APPROVER COMMENTS	REVISION
1	1/9/09		

BEAM DETAIL B5
 VT.102 (MAJOR COLLECTOR) BRIDGE #16 CANAAN, VT
 PROJECT NUMBER ER ST 0271 (16)

FOSTER • PRECISE
 3 FARM LANE GEORGETOWN, MA 01833
 978-352-2591 FAX 978-352-2182
 OWNER: STATE OF VERMONT AGENCY OF TRANSPORTATION
 CONTRACTOR: WINTERSET INC.

DRAWN BY	CHECKED BY	JOB NO.	SHEET NO.
KC	WL	3476	5
11/23/08	11/30/08		