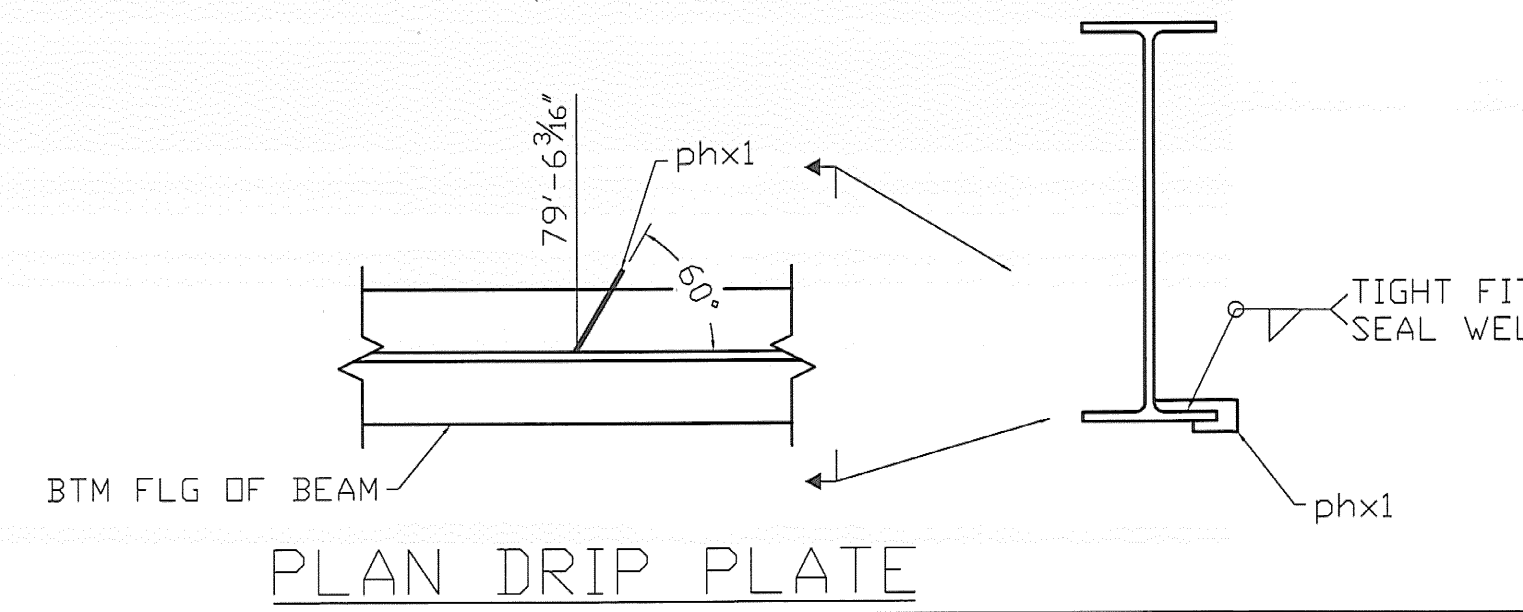
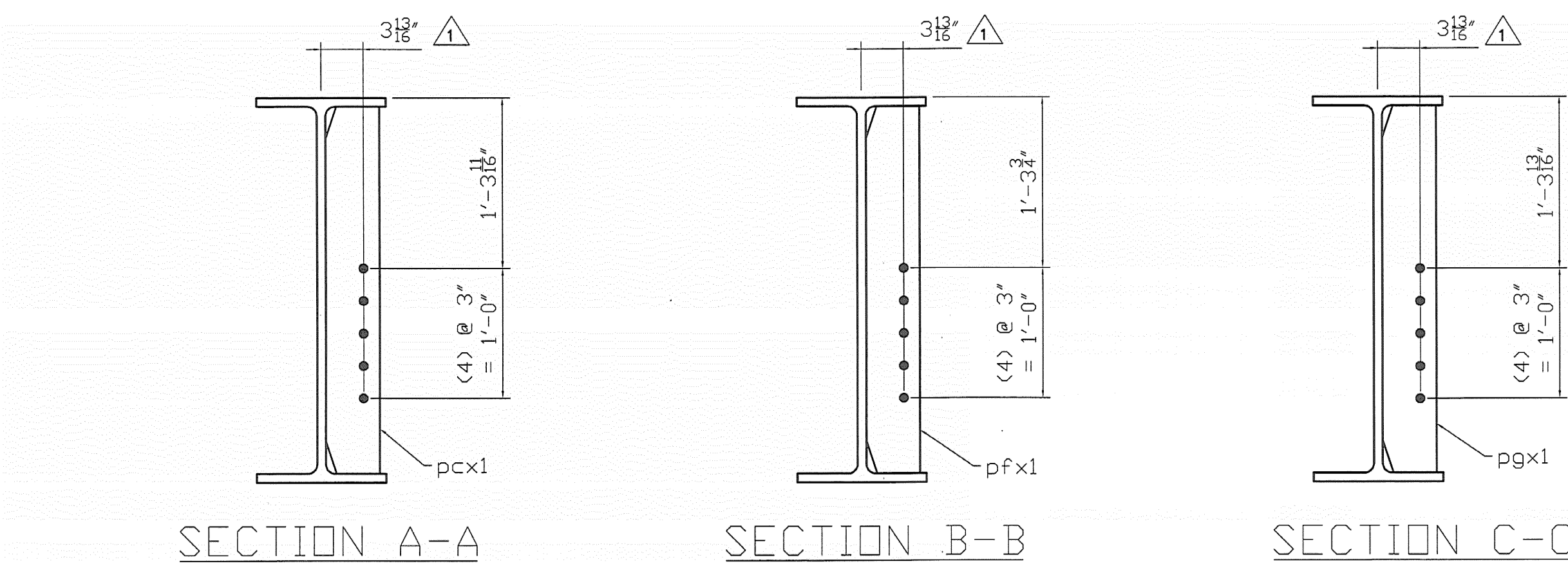
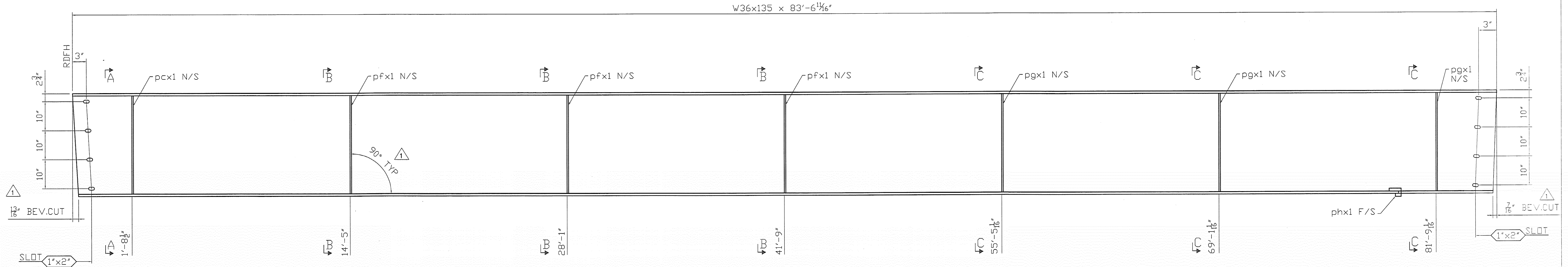
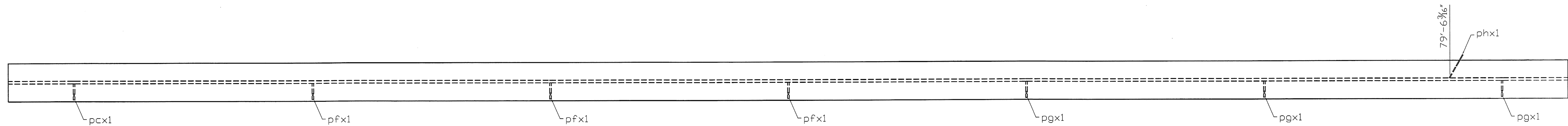


SHIPPER		BILL OF MATERIAL					
NO.	MARK	NO.	MARK	SIZE	LENGTH	REMARKS	WEIGHT
1	1A			W36X135	83'-6 1/16"	CVN/BEVEL --	
		1	pcx1	PL 1/2 x 5	2'-9 7/8"		--
		3	pfx1	PL 1/2 x 5	2'-9 7/8"		--
		3	pgx1	PL 1/2 x 5	2'-9 7/8"		--
		1	phx1	PL 1/2 x 2 1/8	0'-8 5/16"		--



RECEIVED  
 OK'D BY: *SSS* OK'D BY: *MSM*  
 JAN 26 2009  
 APPROVED BY: *[Signature]* DATE: 1/26/09

NOTE:  
 1. FOR GENERAL NOTES SEE GN1

SHOP NOTES  
 HOLES 15/16" Ø (U.N.)  
 BOLTS NONE  
 PAINT SEE GN DWG  
 WELDS TO BE MADE USING ER80-NiL ELECTRODES  
 MATERIAL M270 Gr.50

REV. NO.	DATE	APPROVER COMMENTS	REVISION
1	1/2/09		BEAM DETAIL B1

VT.102 (MAJOR COLLECTOR) BRIDGE #16 CANTON, VT  
 PROJECT NUMBER ER ST 0271 (16)

**FOSTER • PRECISE**  
 3 FARM LANE GEORGETOWN, MA 01833  
 978-352-2591 FAX 978-352-2182  
 OWNER: STATE OF VERMONT AGENCY OF TRANSPORTATION  
 CONTRACTOR: WINTERSSET INC.

DRAWN BY	CHECKED BY	JOB NO.	SHEET NO.
KC	WL	3476	1