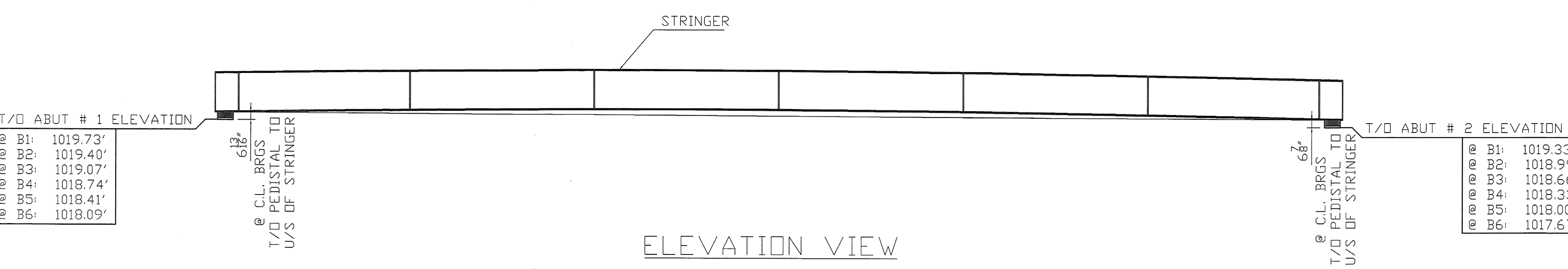


FRAMING PLAN



ELEVATION VIEW

T/O ABUT # 1 ELEVATION

B1:	1019.73'
B2:	1019.40'
B3:	1019.07'
B4:	1018.74'
B5:	1018.41'
B6:	1018.09'

T/O ABUT # 2 ELEVATION

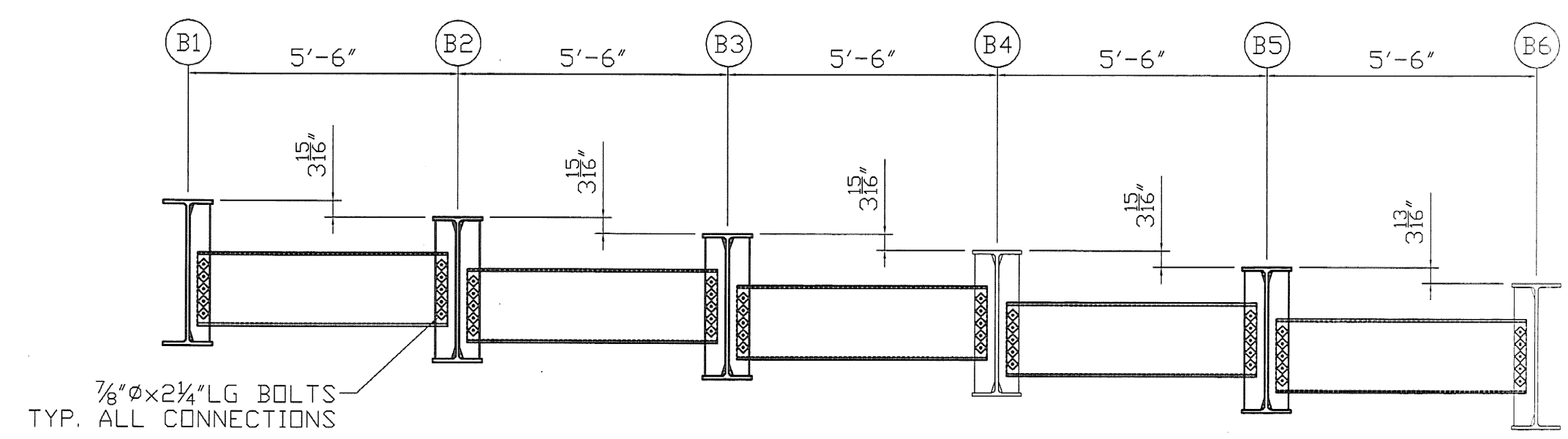
B1:	1019.33'
B2:	1018.99'
B3:	1018.66'
B4:	1018.33'
B5:	1018.00'
B6:	1017.67'

FIELD NOTE: BEARING ASSEMBLY & ANCHORS BY OTHERS

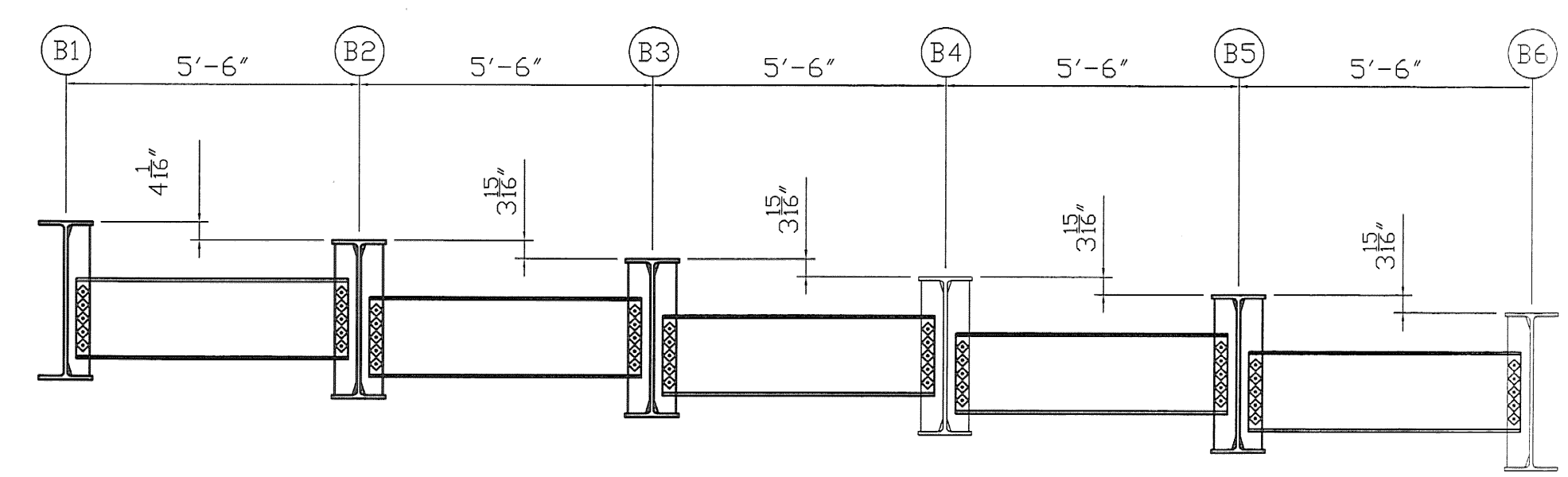
FIELD BOLT LIST							ASTM M164M (ASTM A325) TYPE 1 BOLTS U.N.O.			
LINE	ACTUAL No. REQ'D	BOLT DIAM	BOLT LENGTH / CONNL.	BOLTS / CONNS.	# OF CONNS.	GRIP	THICKNESS OF PCS. CONNECTED	WASHER CODE	REMARKS	
1	350	3/8"	2 1/2"	70	5	1 1/4"	3/8"	1/2"	1	DIAPHRAGM TO BEAM CONNECTION
2										
3										
4										
5										
6										

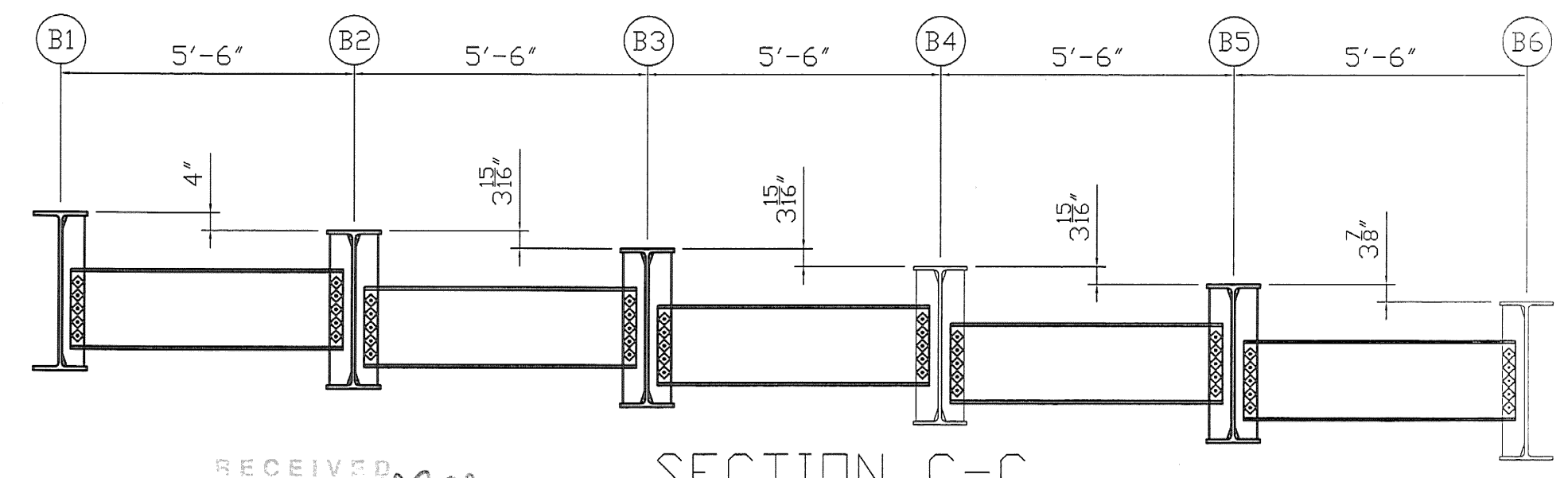
FIELD BOLT SUMMARY			NOTE: 4% ADDITIONAL BOLTS ADDED + 3 FOR TESTING			
LINE	No. OF BOLTS	BOLT TYPE	BOLT LENGTH	ACTUAL COUNT	REMARKS	WEIGHT
1	367	3/8" ASTM - A325 TYPE 1	2 1/2"	350	w / 1 FLAT WASHER	
2						
3						
4						
5						
6						
TOTAL WT.						



SECTION A-A



SECTION B-B



SECTION C-C

RECEIVED  
 OK'D BY: *SES* OK'D BY: *mfm*  
 JAN 28 2009  
 APPROVED: *[Signature]*  
 BY: DATE 1/26/09

NOTE:  
 1. FOR GENERAL NOTES SEE GN1

SHOP NOTES  
 HOLES 15/16" (U.N.)  
 BOLTS NONE  
 PAINT SEE GN DWG  
 WELDS TO BE MADE USING ER80-NiL ELECTRODES  
 MATERIAL M270 Gr.50

REV. NO.	DATE	REVISION
3		
2		
1		

VT.102 (MAJOR COLLECTOR) BRIDGE #16 CANAAN, VT  
 PROJECT NUMBER ER ST 0271 (16)

**FOSTER • PRECISE**  
 3 FARM LANE GEORGETOWN, MA 01833  
 978-352-2591 FAX 978-352-2182  
 OWNER: STATE OF VERMONT AGENCY OF TRANSPORTATION  
 CONTRACTOR: WINTERSET INC

DRAWN BY	CHECKED BY	JOB NO.	SHEET NO.
KC	WL	3476	E1
11/23/08	11/30/08		