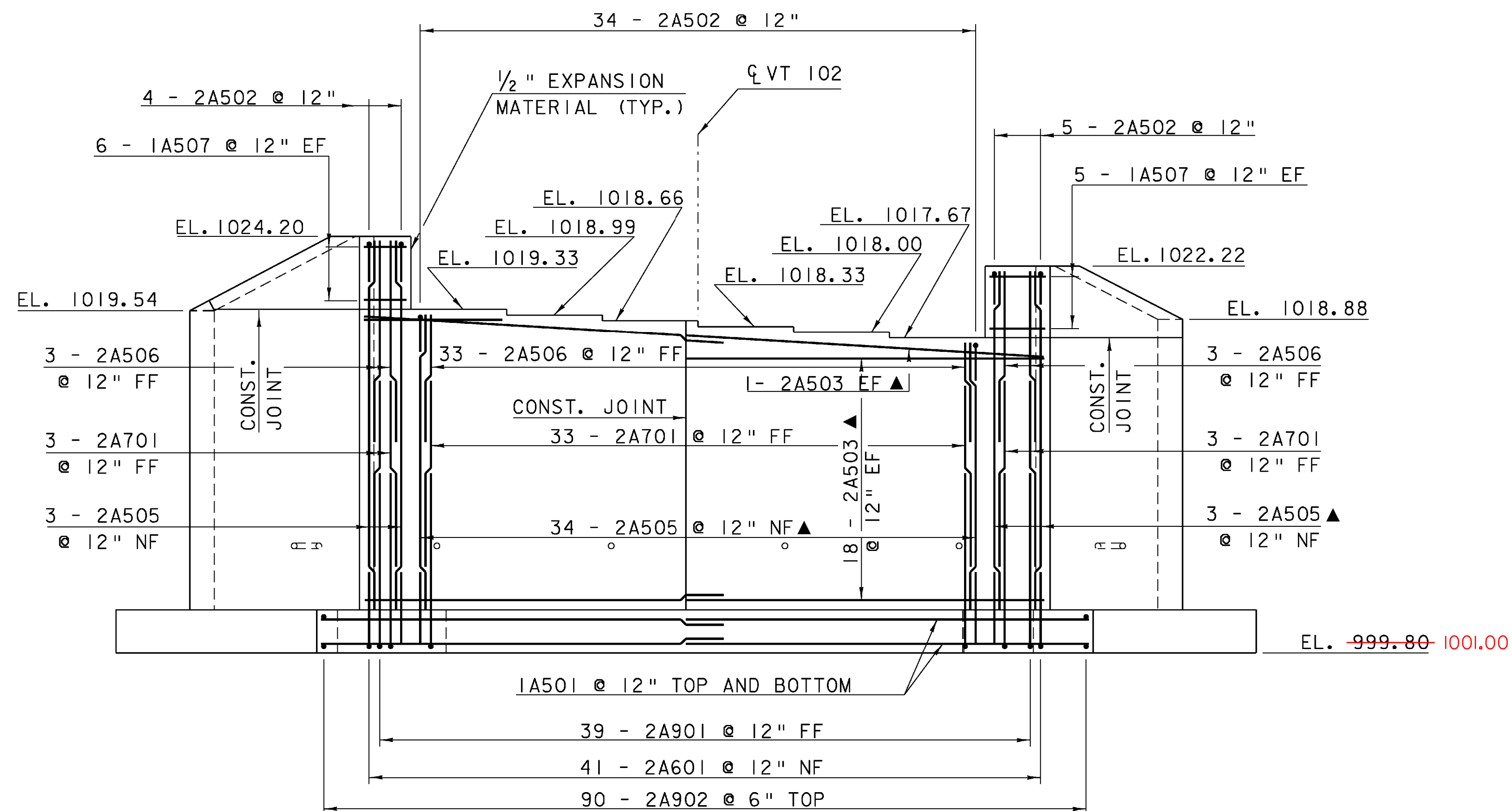


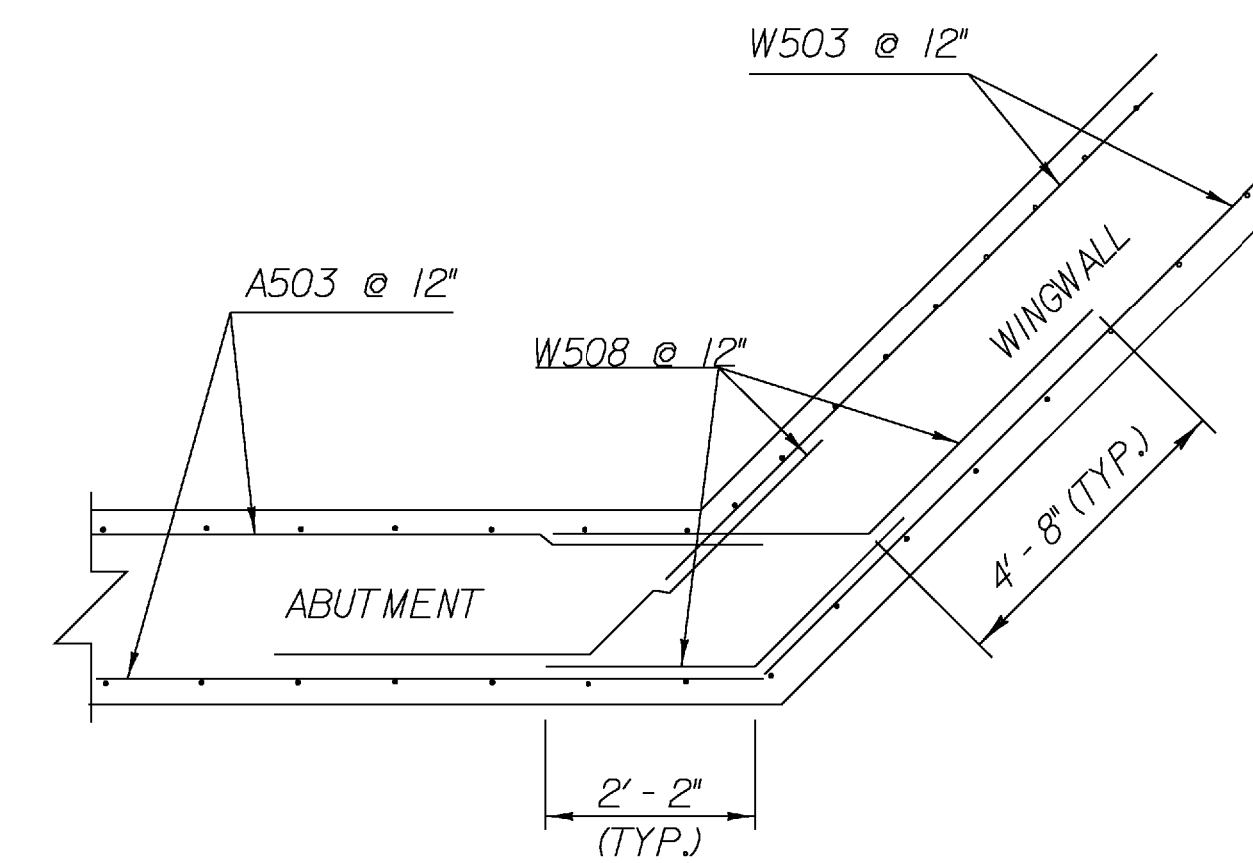
ABUTMENT NO. 2 PLAN

SCALE 3/16" = 1'-0"
 1 0 2 4 6 8



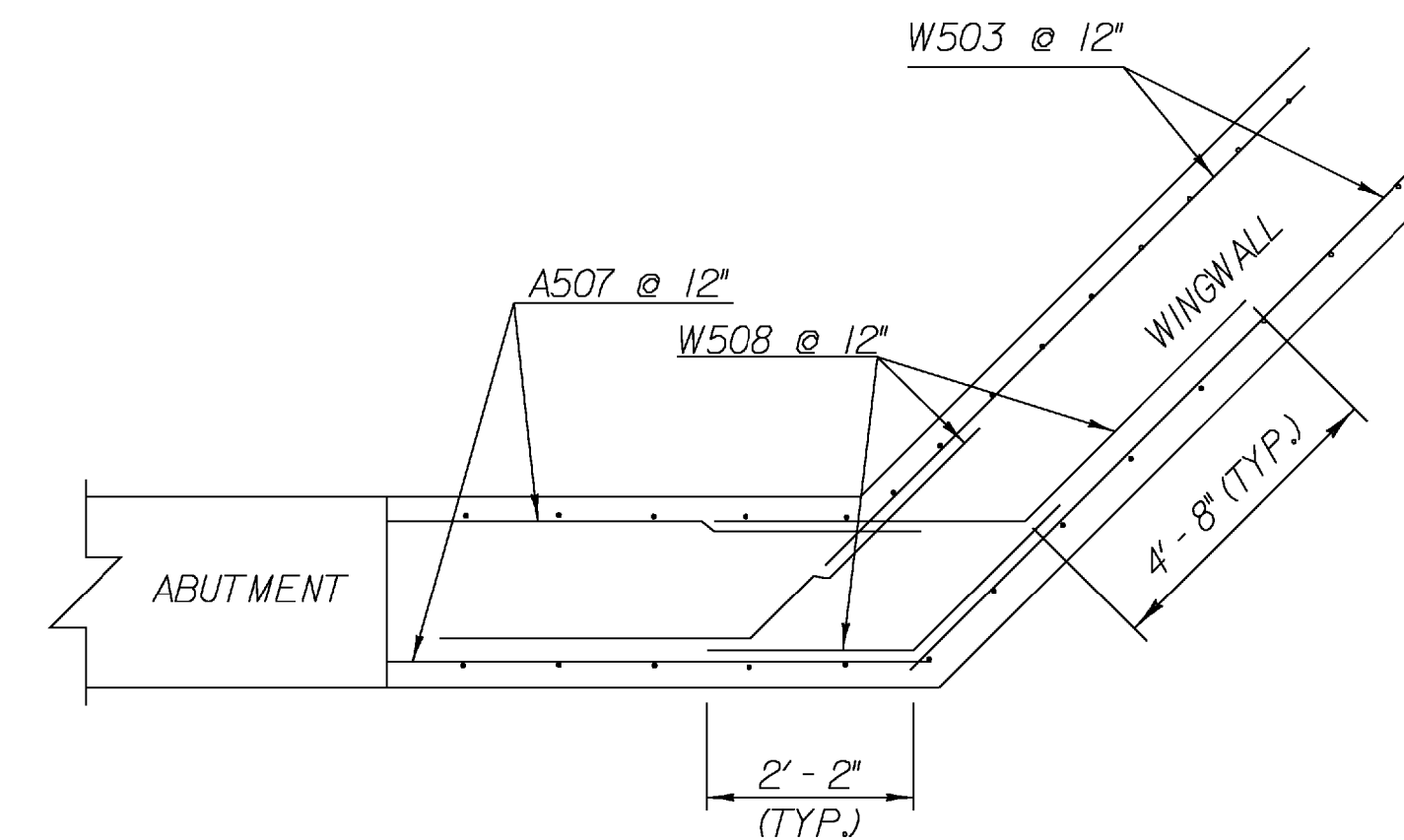
ABUTMENT NO. 2 ELEVATION

SCALE 3/16" = 1'-0"
 1 0 2 4 6 8



WINGWALL CORNER DETAIL FOR 45° OR UNDER

WINGWALL CORNER DETAIL
 (BELOW BRIDGE SEAT)
 NOT TO SCALE



WINGWALL CORNER DETAIL FOR 45° OR UNDER

WINGWALL CORNER DETAIL
 (ABOVE BRIDGE SEAT)
 NOT TO SCALE

NOTE:

NF = NEAR FACE
 FF = FAR FACE
 EF = EACH FACE
 ▲ = CUT TO FIT IN FIELD
 3" CLEAR, UNLESS OTHERWISE SPECIFIED ON THE PLANS.
 2'-2" BAR LAP UNLESS OTHERWISE SPECIFIED ON THE PLANS.
 ALL DIMENSIONS ARE TAKEN FROM THE MAJOR CHORD NOT FROM THE C OF VT 102

ABUTMENT #2 DETAILS

PROJECT NAME: CANAAN
 PROJECT NUMBER: ER ST 0271(16)

FILE NAME: 04c098/struc./s04c098sup PLOT DATE: 18-AUG-2008
 PROJECT LEADER: M. EVANS-MONGEON DRAWN BY: C. JOLLY
 DESIGNED BY: S. SCRIBNER CHECKED BY: S. SCRIBNER
 SHEET 45 OF 66