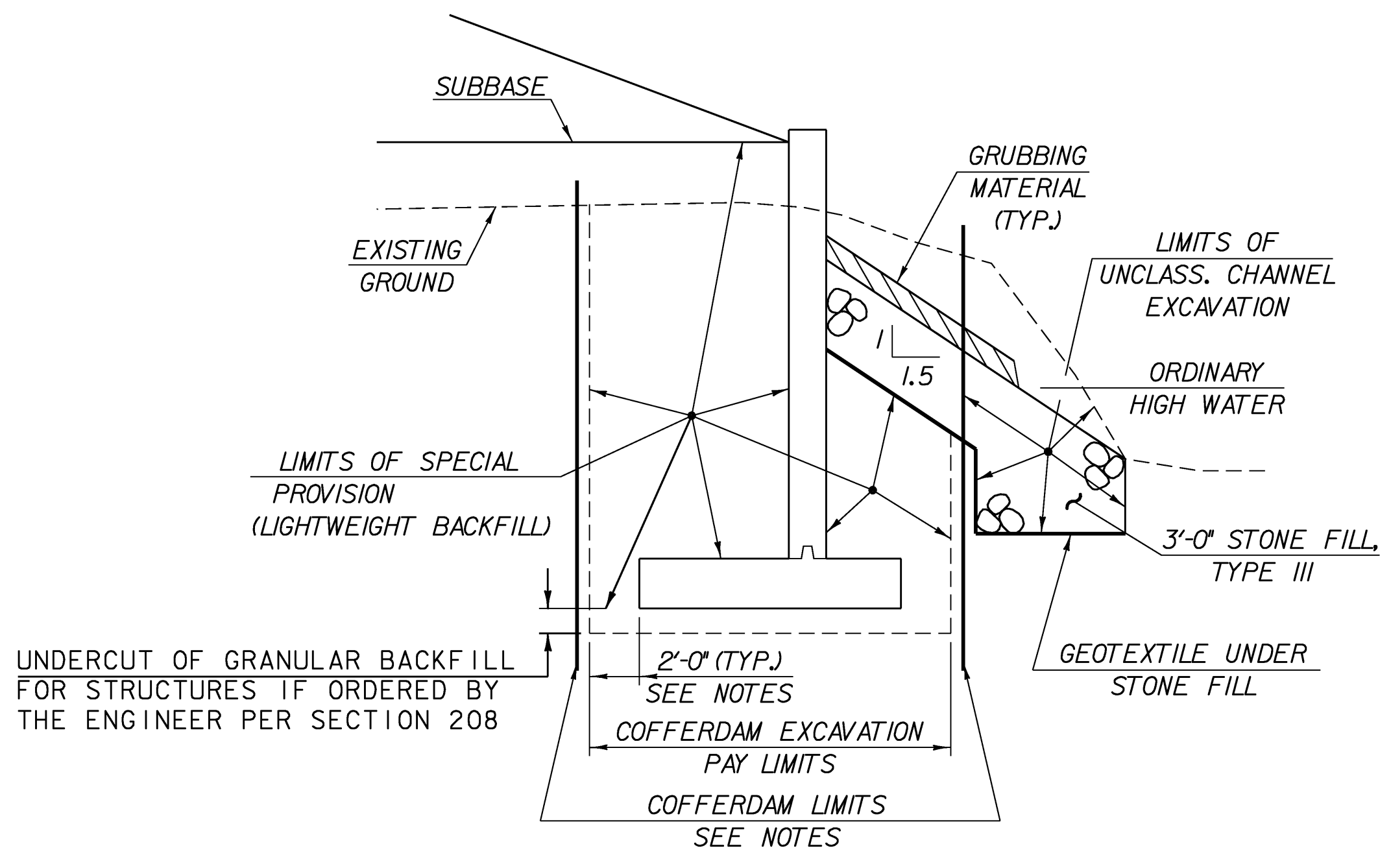


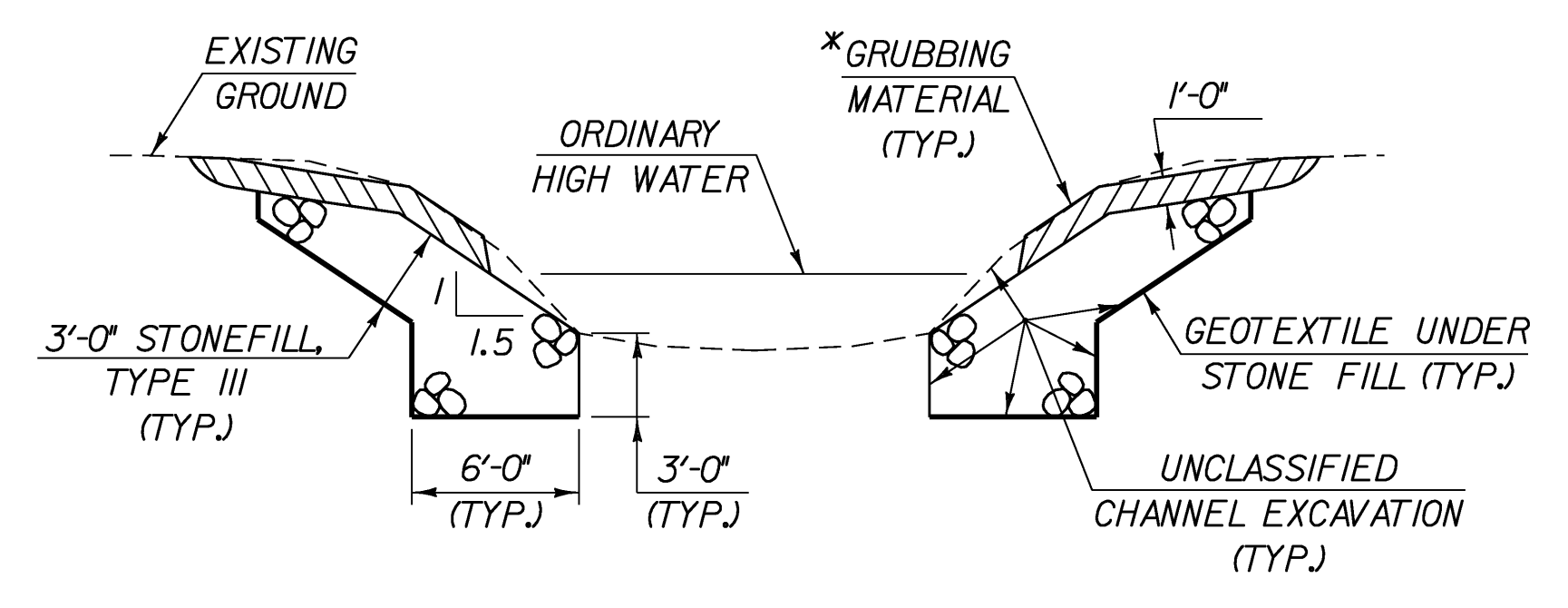
COFFERDAM AND EARTHWORK SECTION
(NOT TO SCALE)

COFFERDAM NOTES

1. COFFERDAM DIMENSIONS TO BE DETERMINED BY THE CONTRACTOR.
2. THE PAY LIMITS OF "COFFERDAM EXCAVATION, EARTH" SHALL BE 2'-0" OUTSIDE THE PERIMETER OF THE FOOTING AND FROM BOTTOM OF EXCAVATION UP TO THE EXISTING GROUND OR BOTTOM OF SUBBASE, WHICHEVER IS LOWER.
3. IF A COFFERDAM IS CONSTRUCTED WHICH IS LARGER THAN THE INDICATED COFFERDAM EXCAVATION PAY LIMITS, PAYMENT FOR ALL UNCLASSIFIED CHANNEL EXCAVATION, INCLUDING THAT PORTION WHICH IS INSIDE THE COFFERDAM BUT OUTSIDE THE COFFERDAM PAY LIMITS, WILL BE MADE AT THE CONTRACT UNIT PRICE FOR UNCLASSIFIED CHANNEL EXCAVATION. NO MEASUREMENT AND PAYMENT WILL BE MADE FOR COFFERDAM EXCAVATION, GRANULAR BACKFILL FOR STRUCTURES, AND SPECIAL PROVISION LIGHTWEIGHT BACKFILL OUTSIDE THE PAY LIMITS DEFINED IN NOTE 2.



TYPICAL WINGWALL SECTION
(NOT TO SCALE)



TYPICAL CHANNEL SECTION
(NOT TO SCALE)

*GRUBBING MATERIAL SHALL NOT BE PLACED ON THE STONE FILL IN THE AREA UNDER THE BRIDGE. WHENEVER CHANNEL SLOPE INTERSECTS ROADWAY SUBBASE, GRUBBING MATERIAL SHALL BEGIN AT THE BOTTOM OF SUBBASE.

TYPICAL SECTIONS SHEET (2)

PROJECT NAME:	Canaan
PROJECT NUMBER:	ER ST 0271(16)
FILE NAME:	Structures\04c098typ.dgn
PLOT DATE:	18-AUG-2008
PROJECT LEADER:	M. Evans-Mongeon
DRAWN BY:	T. Husk
DESIGNED BY:	S. Scribner
CHECKED BY:	S. SCRIBNER
x04c098typ2.1	SHEET 4 OF 66