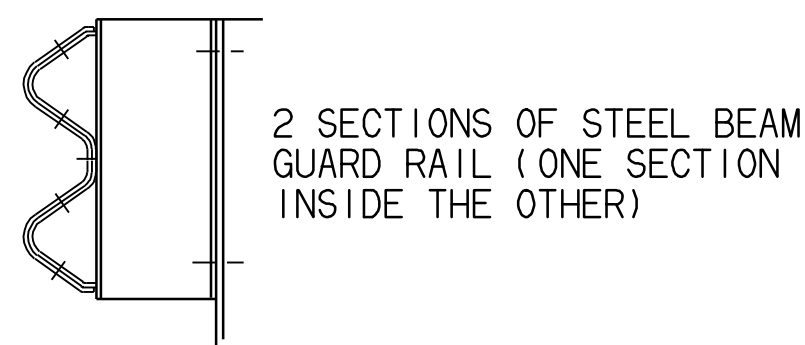


REDUCED STEEL BEAM GUARDRAIL POST SPACING DETAIL

STOWE STA. 82+25 RT
STOWE STA. 147+05 LT
STOWE STA. 148+97 LT
STOWE STA. 200+55 LT
STOWE STA. 202+26 LT

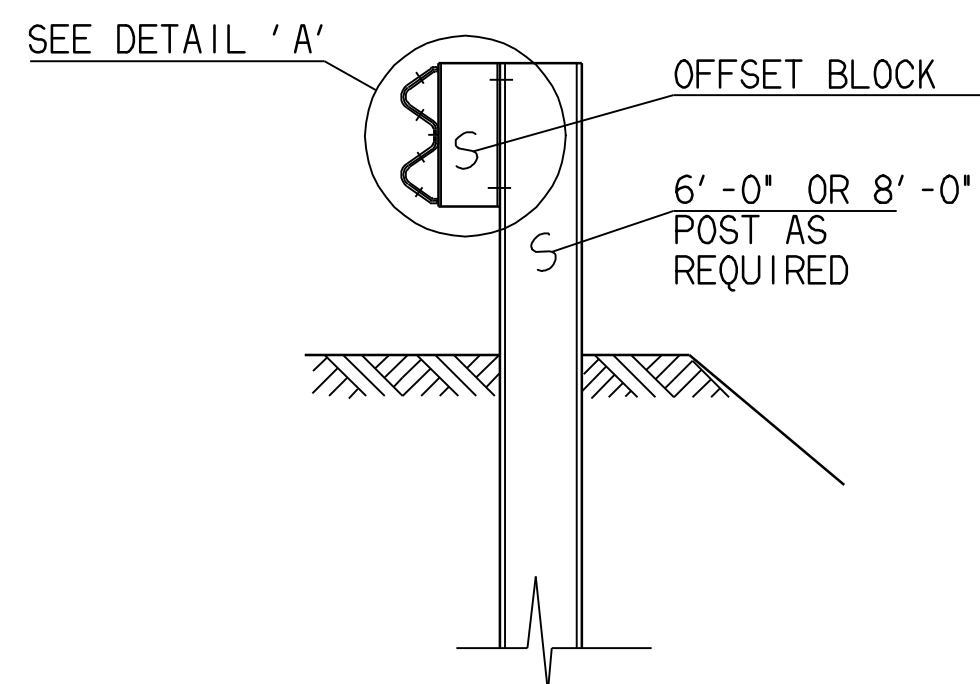
- NOTES:
- 1) REMOVE THROAT DROP INLET TOPS, PEDESTALS & DROP INLET WALLS TO ACCOMMODATE NEW BRICKS, D.I. COVERS, FRAMES AND GRATES TO MAINTAIN EXISTING DITCH FLOW LINES (SEE STANDARD D-8 FOR EXISTING D.I. DETAILS).
 - 2) REDUCE BRICK COURSES AS NECESSARY TO MAINTAIN EXISTING DITCH FLOW LINE.
 - 3) SEE STANDARDS D-11 & D-15 FOR GRATE DETAILS.
 - 4) ALL REMOVAL AND RECONSTRUCTION, INCLUDING MATERIALS AND LABOR, SHALL BE PAID FOR UNDER ITEM 604.412.



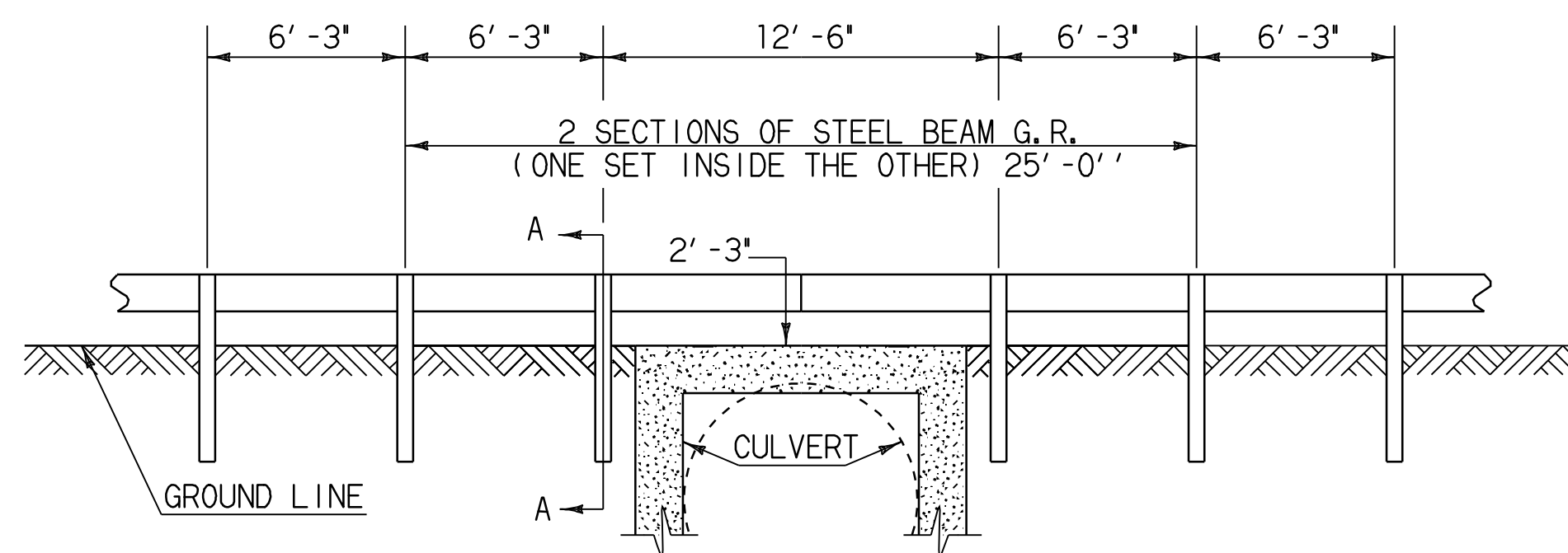
DETAIL A

NOTES

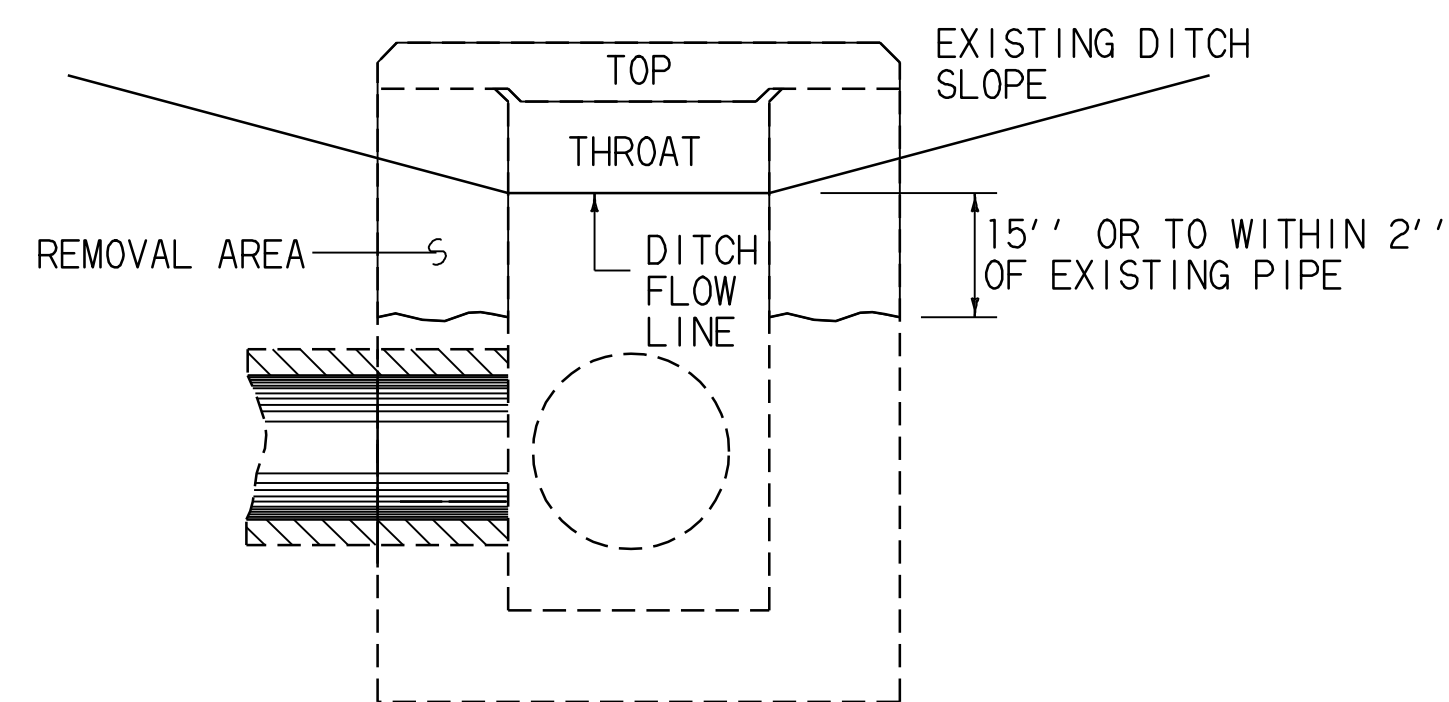
1. SEE STANDARD G-1 & G-1D FOR STEEL BEAM GUARD RAIL DETAILS.
2. THIS WORK SHALL BE PAID UNDER ITEM 621.20, STEEL BEAM GUARD RAIL, OR 621.21 HEAVY DUTY STEEL BEAM GUARD RAIL AT A PAY FACTOR OF 1.0.
3. THIS DETAIL TO BE USED AS INDICATED ON THE ITEM DETAIL AND DRAINAGE SHEET OR AS DIRECTED BY THE ENGINEER.



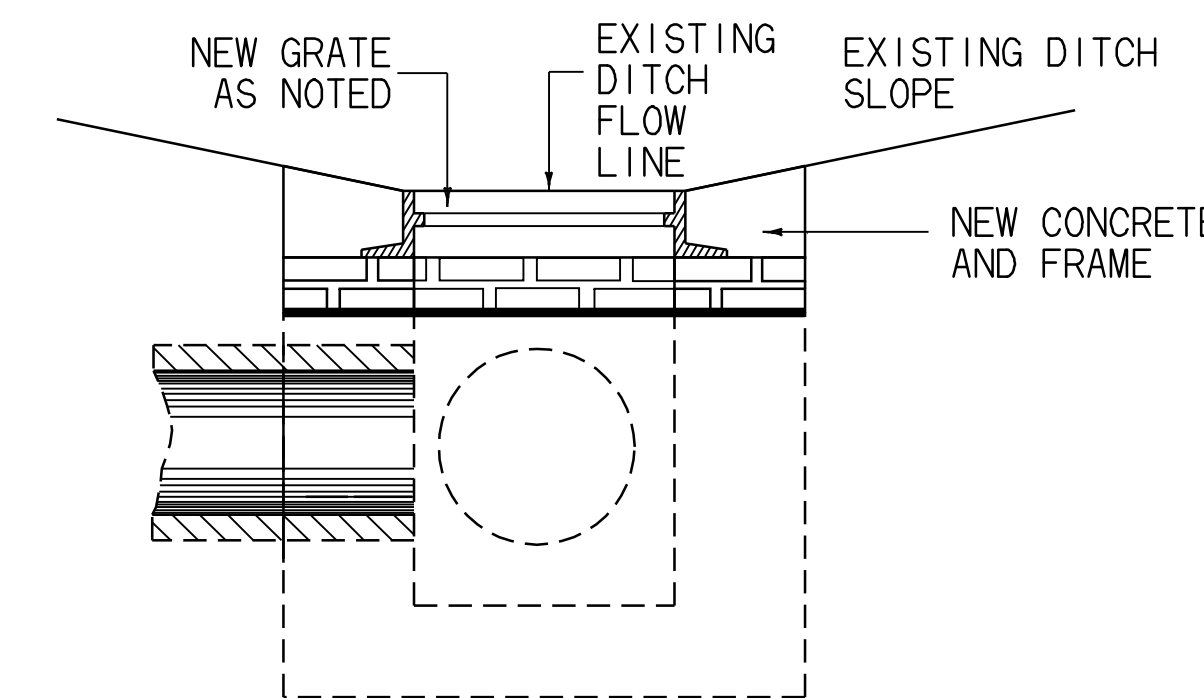
SECTION A-A



DETAIL OF STEEL BEAM GUARD RAIL AT SMALL CULVERTS
STOWE BRIDGE #3A MM 2.56 = STA. 135+04



THROAT D.I. TOP REMOVAL



NEW D.I. TOP PLACEMENT

NOT TO SCALE

MISCELLANEOUS DETAILS	PROJECT NAME: STOWE	PLOT DATE: 11-JUN-2007 13:46
	PROJECT NUMBER: AC STP 2407(I)S, 2410(I)S	DRAWN BY: LOCKE
	FILE NAME: p04c048.dgn	CHECKED BY: PAVT MGMT
	PROJECT LEADER: WOOLAVER	SHEET 57 OF 69
	DESIGNED BY: LOCKE	
	p04c048mis.i	