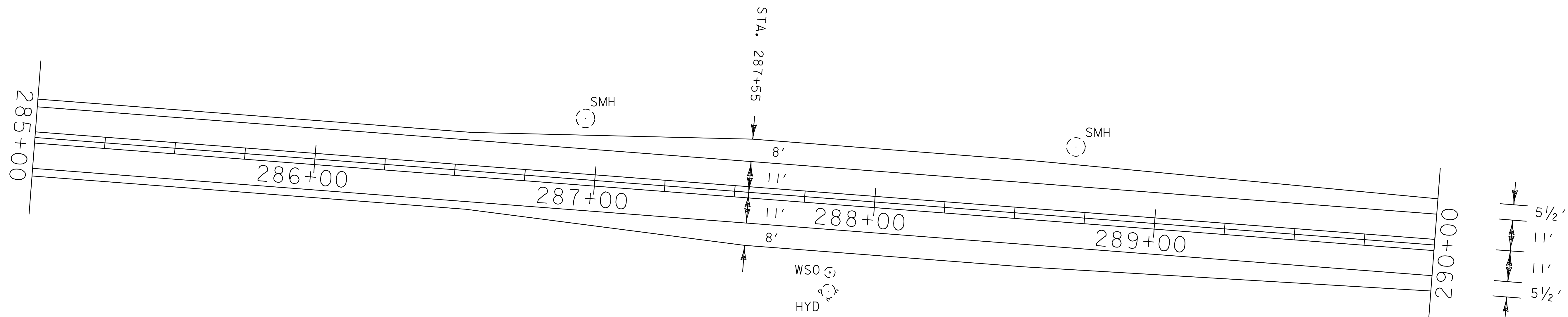


DURABLE AND TEMPORARY 4 '' WHITE LINE
 STA. 280+00 - STA. 290+00 LT & RT (EDGE LINE)
DURABLE AND TEMPORARY 4 '' YELLOW LINE
 STA. 280+00 - STA. 290+00 LT & RT (DOUBLE YELLOW CL)



**PAVING
 PROJECT
 LAYOUT
 #30**

PROJECT NAME: STOWE
 PROJECT NUMBER: AC STP 2407(I)S

FILE NAME: p04c048.dgn
 PROJECT LEADER: WOOLAVER
 DESIGNED BY: LOCKE
 p04c048i30.i

PLOT DATE: 11-JUN-2007 13:45
 DRAWN BY: LOCKE
 CHECKED BY: PAVT MGMT
 SHEET 39 OF 69