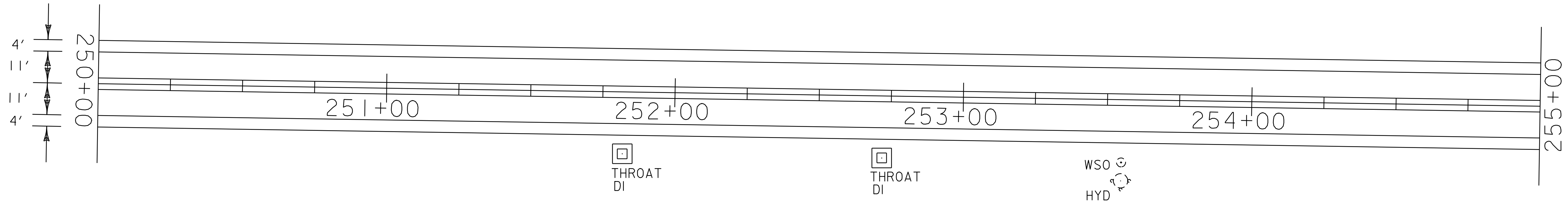
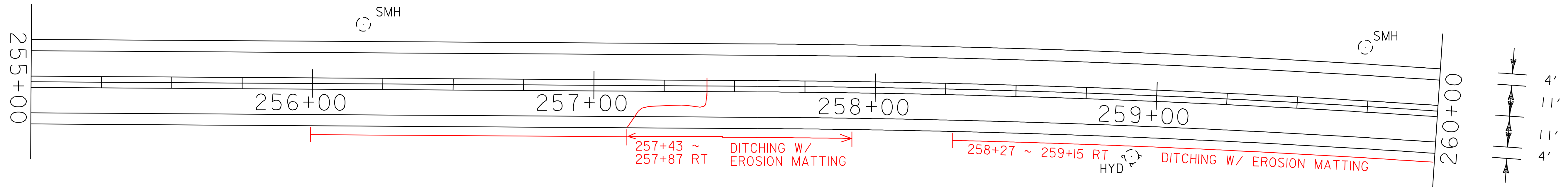


REHABING DI, CB, OR MH CLASS I
 STA. 251+82 RT (THROAT DI IN DITCH)
 STA. 252+71 RT (THROAT DI IN DITCH)



DURABLE AND TEMPORARY 4'' WHITE LINE
 STA. 250+00 - STA. 260+00 LT & RT (EDGE LINE)

DURABLE AND TEMPORARY 4'' YELLOW LINE
 STA. 250+00 - STA. 260+00 LT & RT (DOUBLE YELLOW CL)



**PAVING
 PROJECT
 LAYOUT
 #27**

PROJECT NAME: STOWE
 PROJECT NUMBER: AC STP 2407(I)S

FILE NAME: p04c048.dgn
 PROJECT LEADER: WOOLAVER
 DESIGNED BY: LOCKE
 p04c048i27.i

PLOT DATE: 11-JUN-2007 13:45
 DRAWN BY: LOCKE
 CHECKED BY: PAVT MGMT
 SHEET 36 OF 69