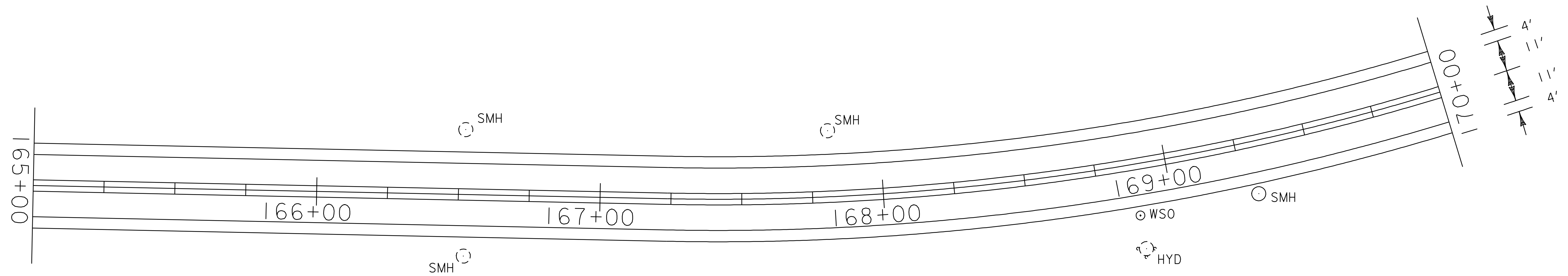


DURABLE AND TEMPORARY 4'' WHITE LINE  
 STA. 160+00 - STA. 170+00 LT & RT (EDGE LINE)

DURABLE AND TEMPORARY 4'' YELLOW LINE  
 STA. 160+00 - STA. 170+00 LT & RT (DOUBLE YELLOW CL)

CHANGING ELEVATION OF SEWER MANHOLE  
 STA. 169+30 RT (IN PAVED APRON)

ADJUST ELEVATION OF VALVE BOX  
 STA. 168+88 RT (WSO-IN PAVED APRON)



**PAVING  
 PROJECT  
 LAYOUT  
 #18**

PROJECT NAME: STOWE  
 PROJECT NUMBER: AC STP 2407(I)S

FILE NAME: p04c048.dgn  
 PROJECT LEADER: WOOLAVER  
 DESIGNED BY: LOCKE  
 p04c048I18.i

PLOT DATE: 11-JUN-2007 13:45  
 DRAWN BY: LOCKE  
 CHECKED BY: PAVT MGMT  
 SHEET 27 OF 69