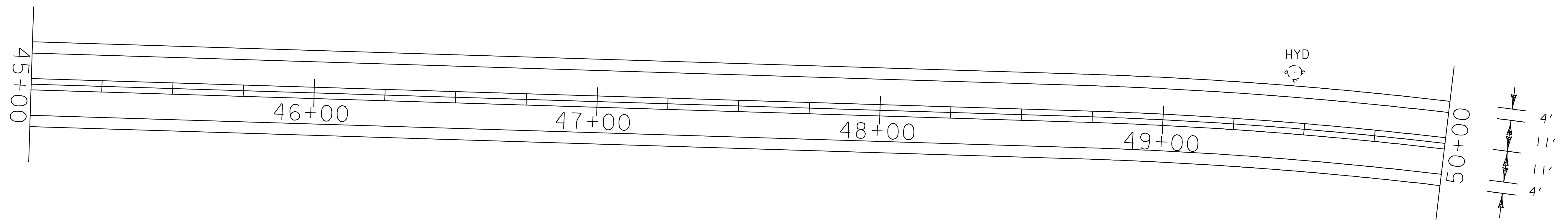


DURABLE AND TEMPORARY 4 '' WHITE LINE
 STA. 40+00 - STA. 50+00 LT & RT (EDGE LINE)

DURABLE AND TEMPORARY 4 '' YELLOW LINE
 STA. 40+00 - STA. 50+00 LT & RT (DOUBLE YELLOW CL)



**PAVING
 PROJECT
 LAYOUT
 #6**

PROJECT NAME: STOWE	PLOT DATE: 11-JUN-2007 13:44
PROJECT NUMBER: AC STP 2407(1)S	DRAWN BY: LOCKE
FILE NAME: p04c048.dgn	CHECKED BY: PAVT MGMT
PROJECT LEADER: WOOLLAVER	SHEET 15 OF 69
DESIGNED BY: LOCKE	
p04c048106.i	