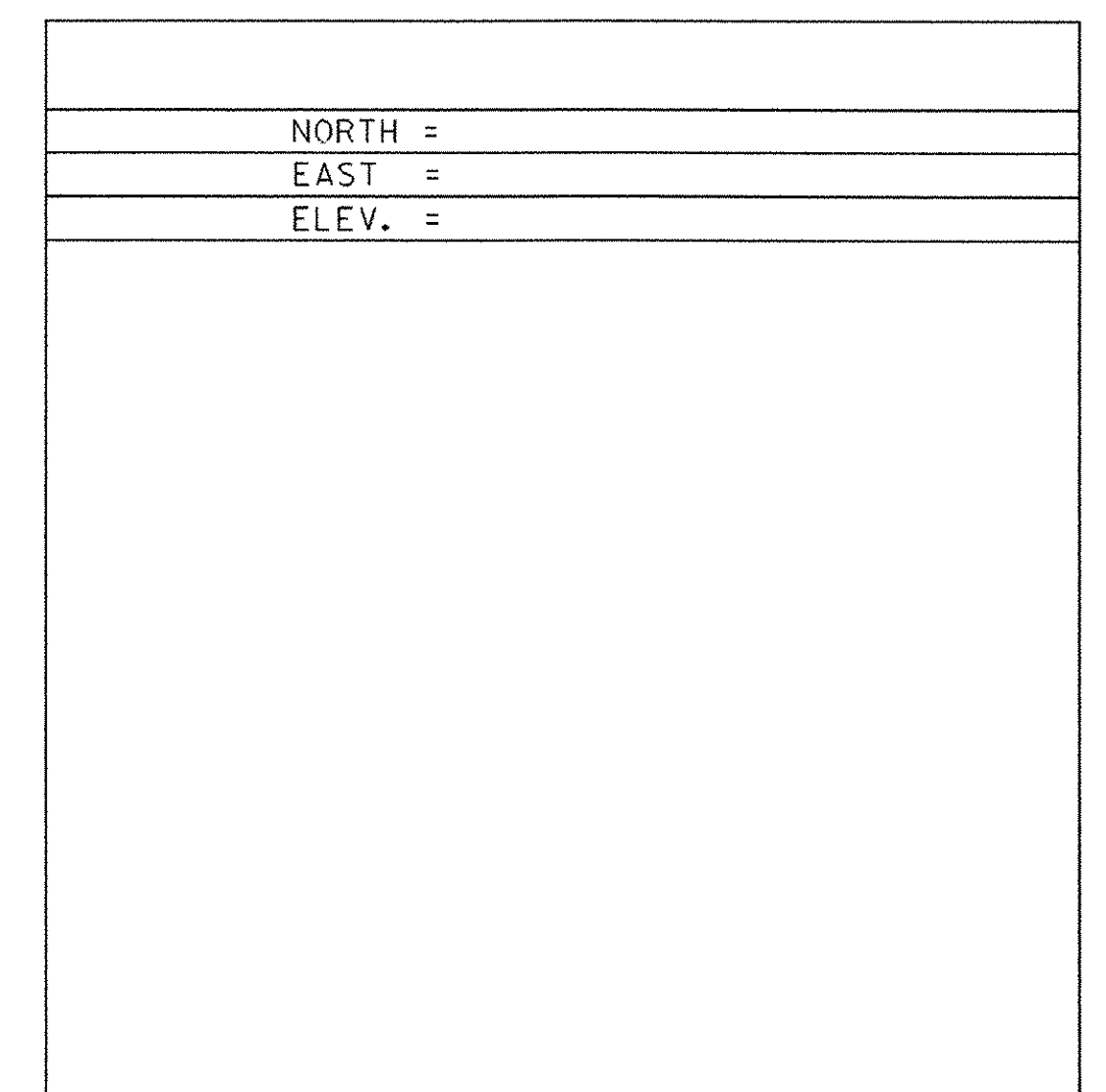
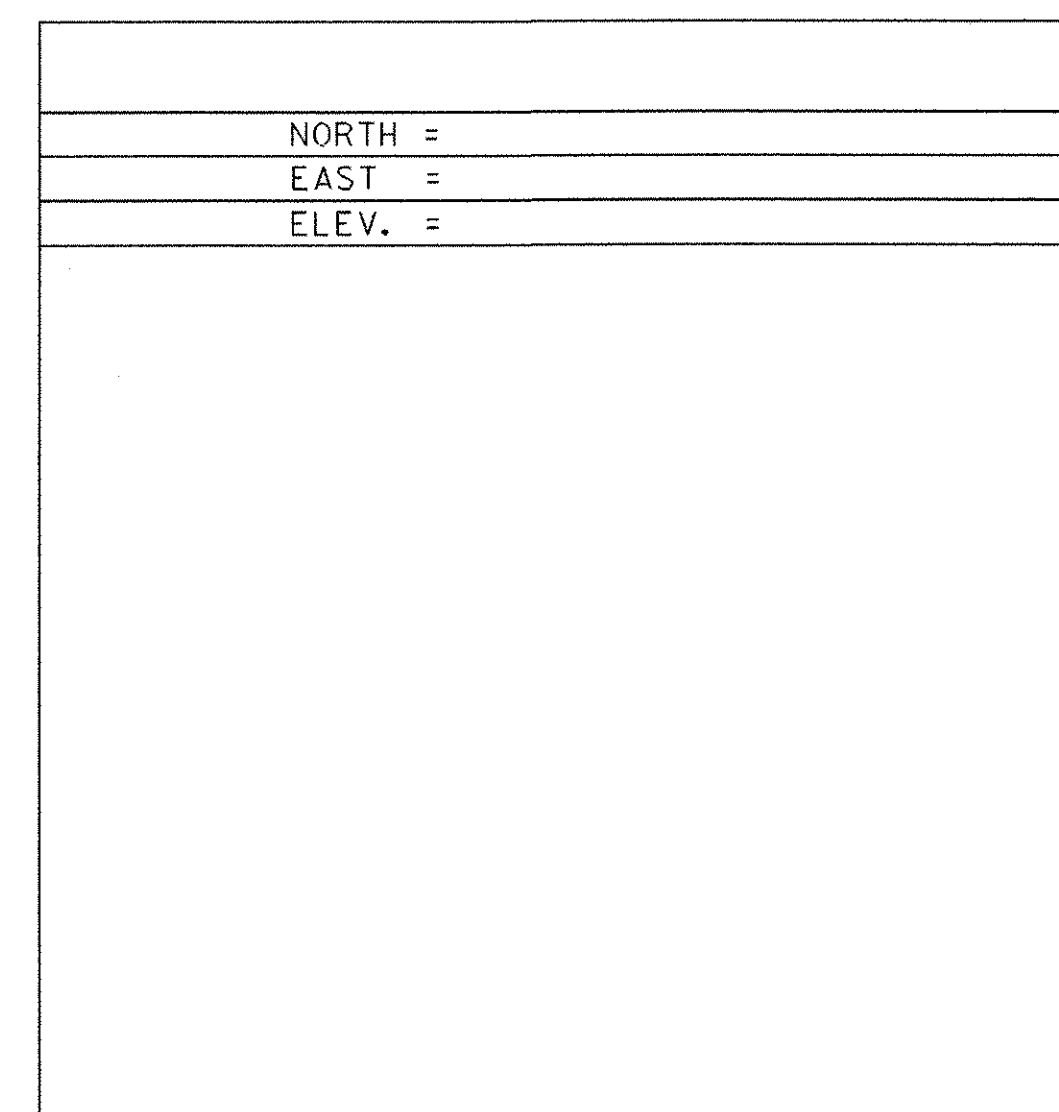
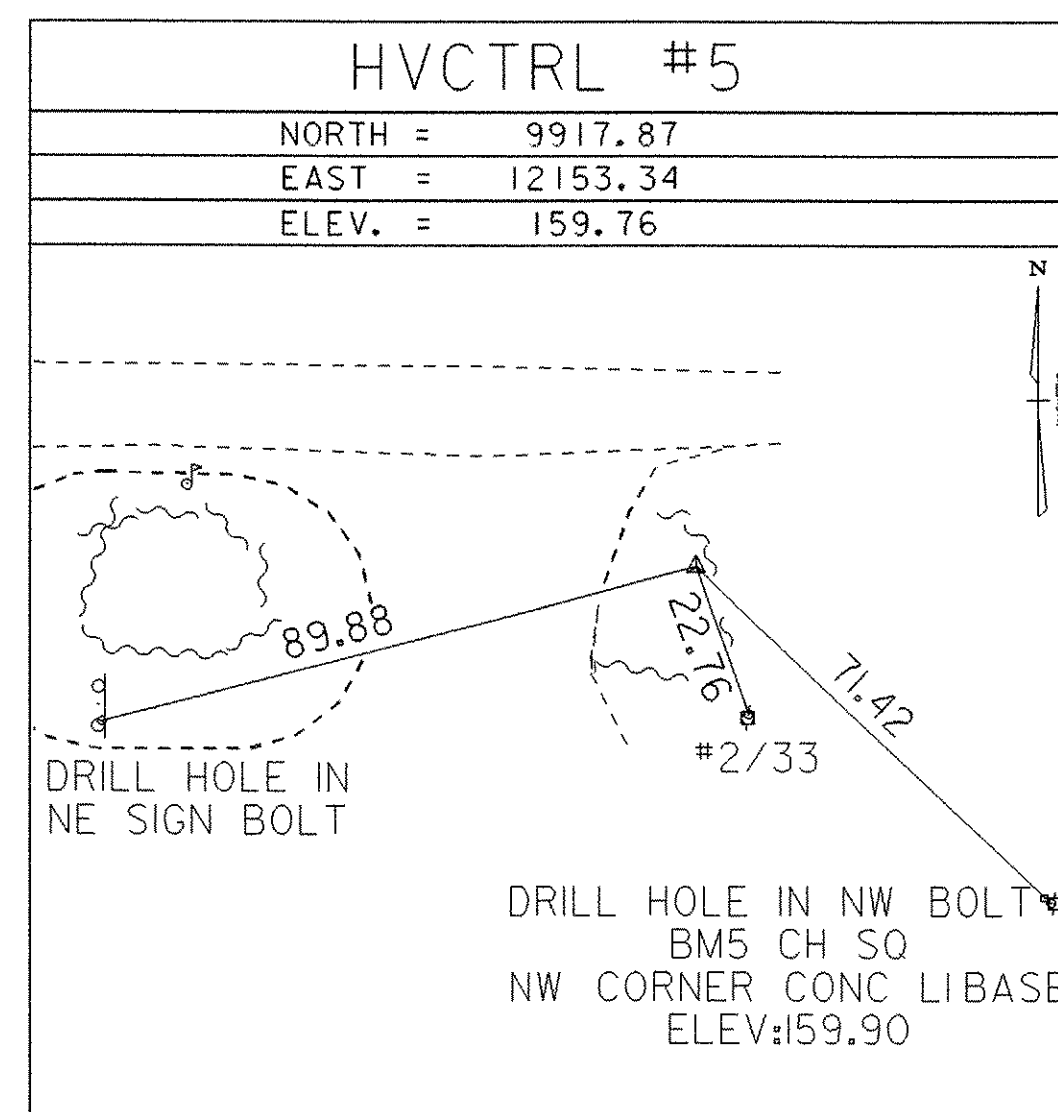
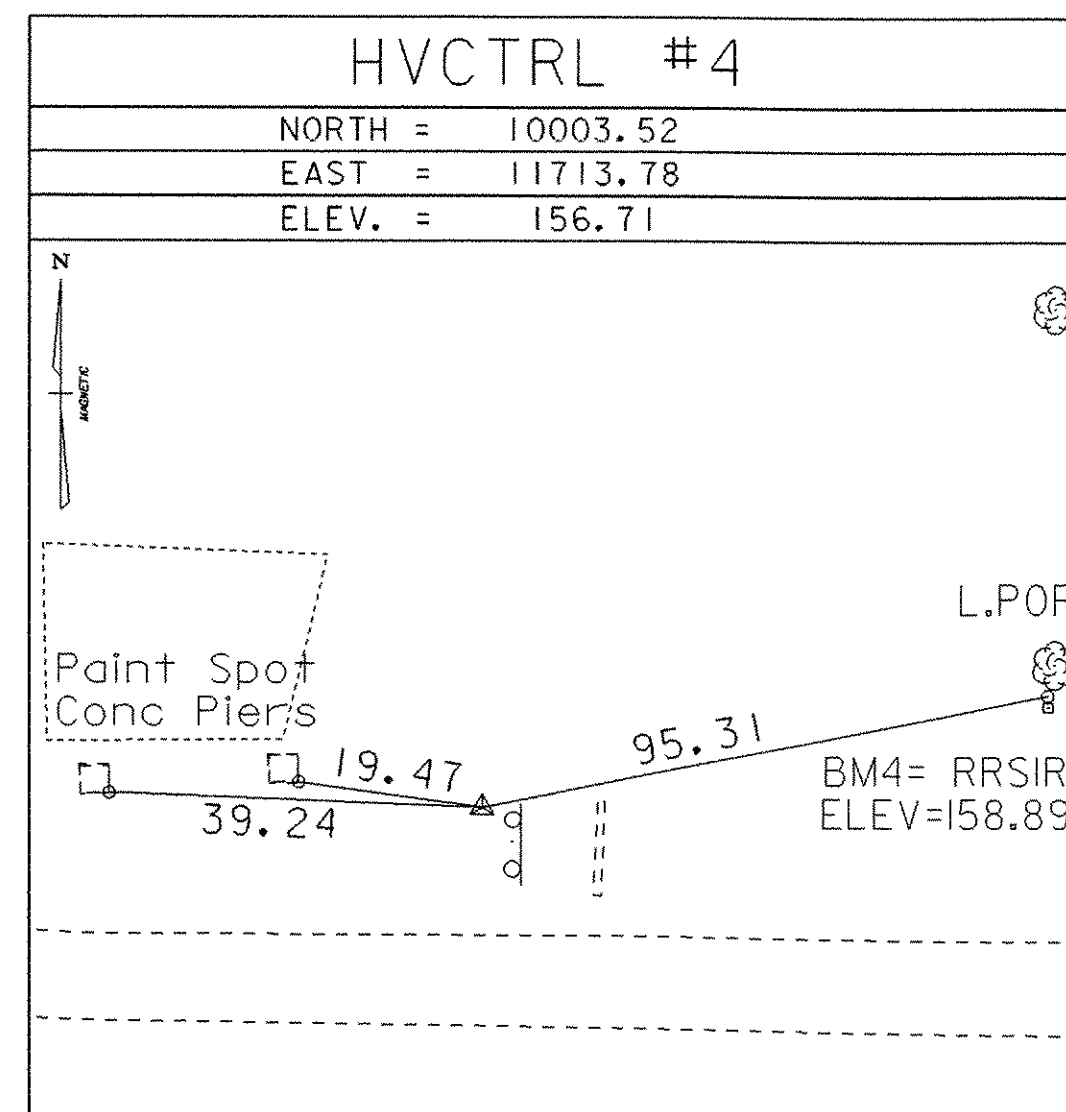
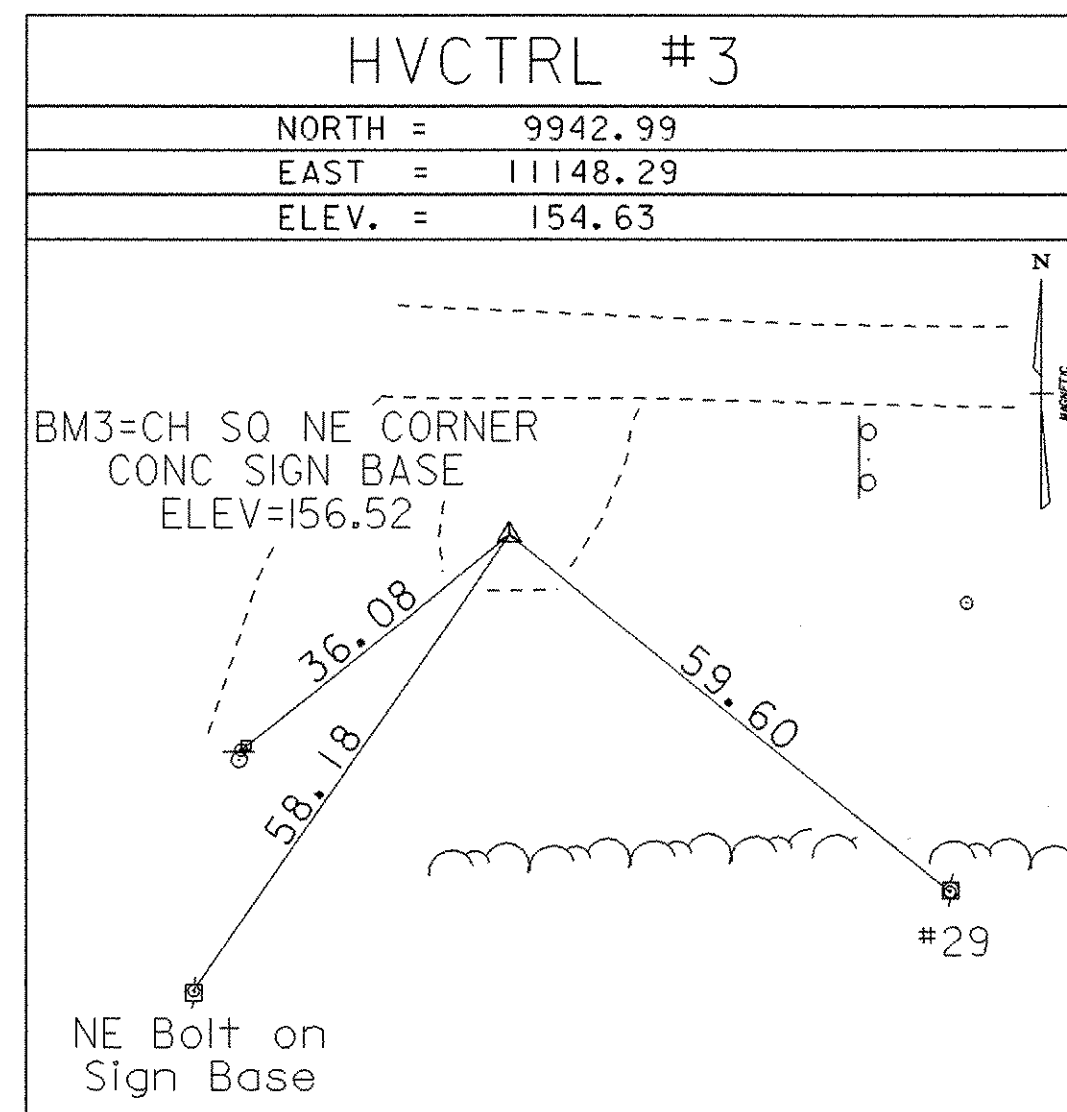


GPS CONTROL POINTS

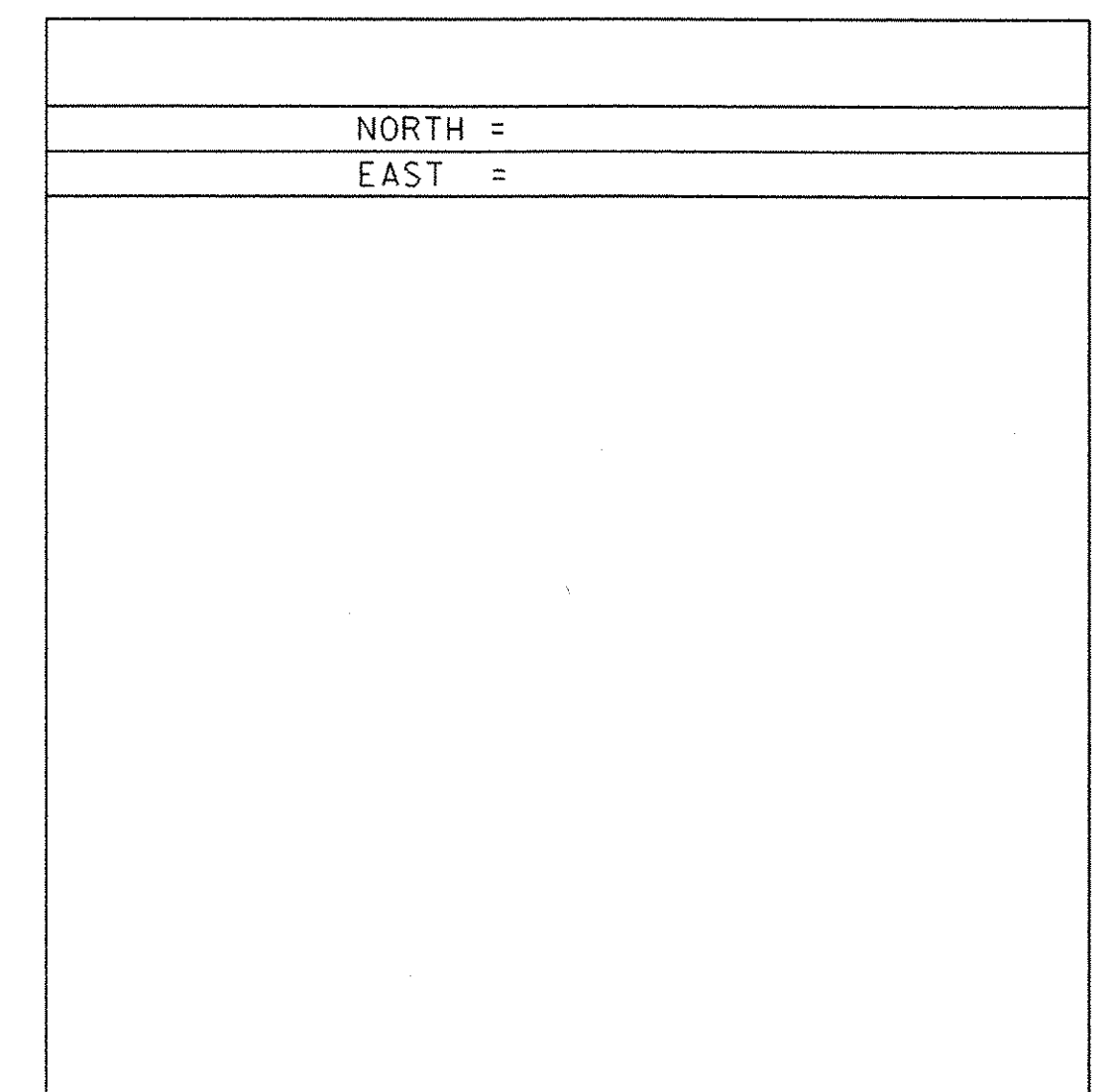
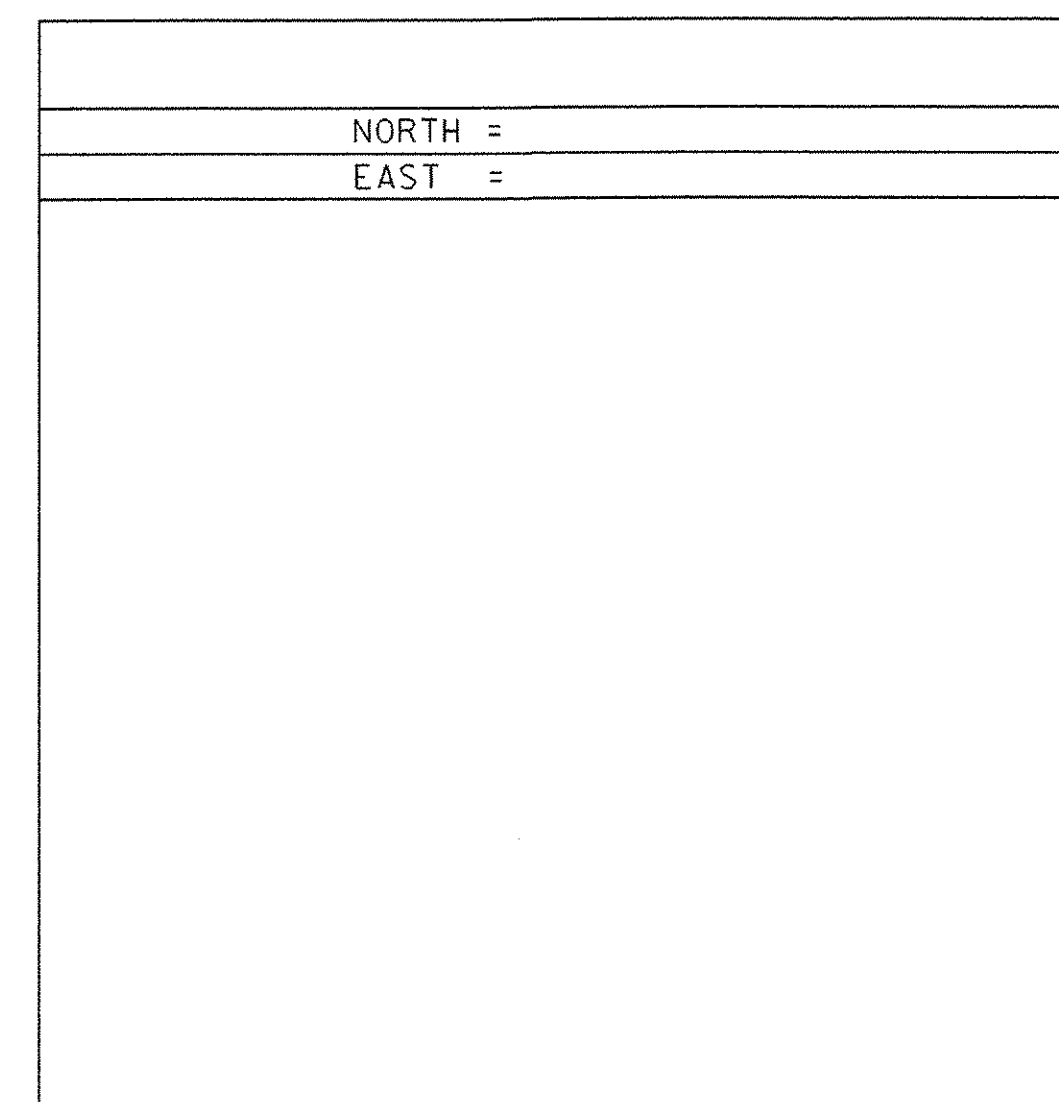
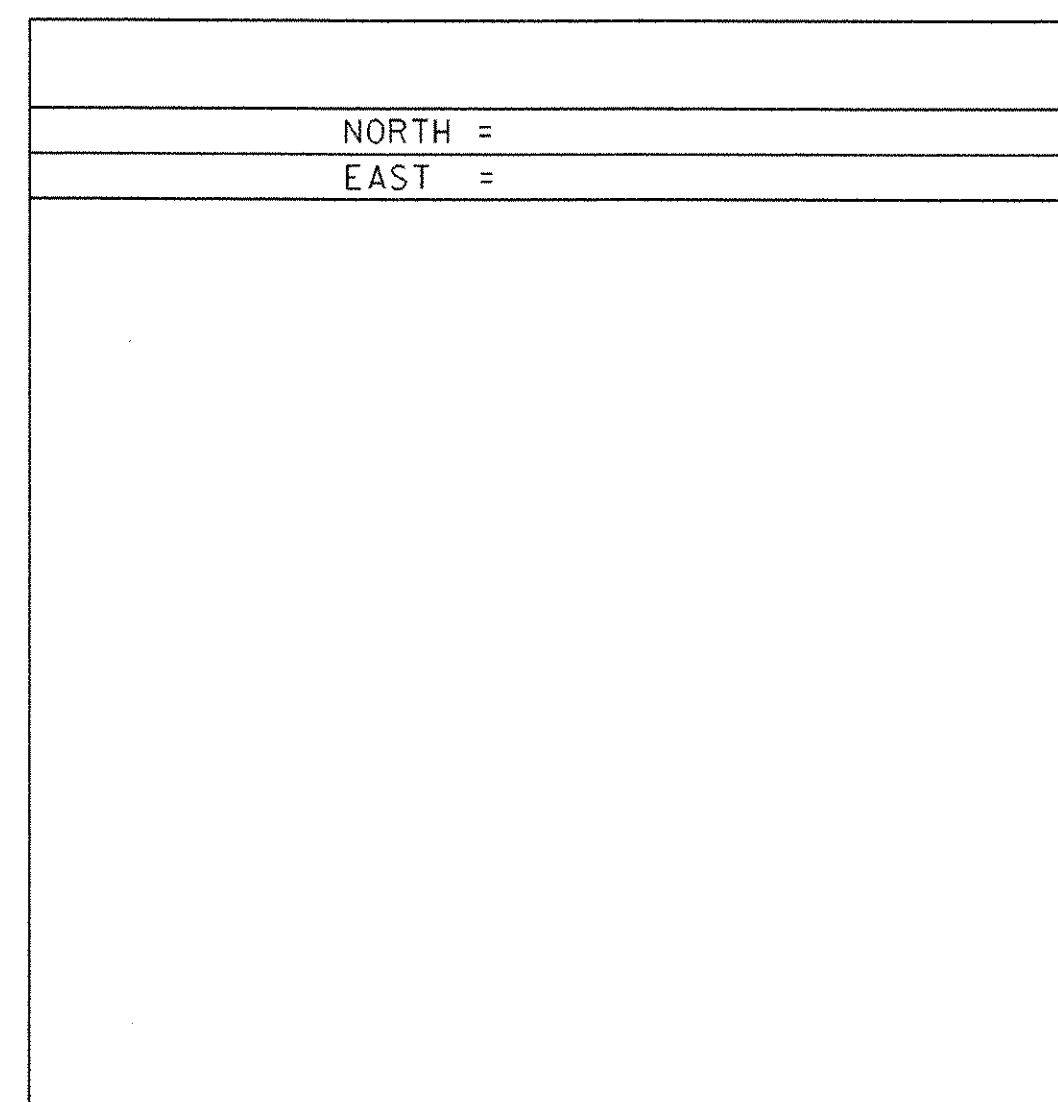
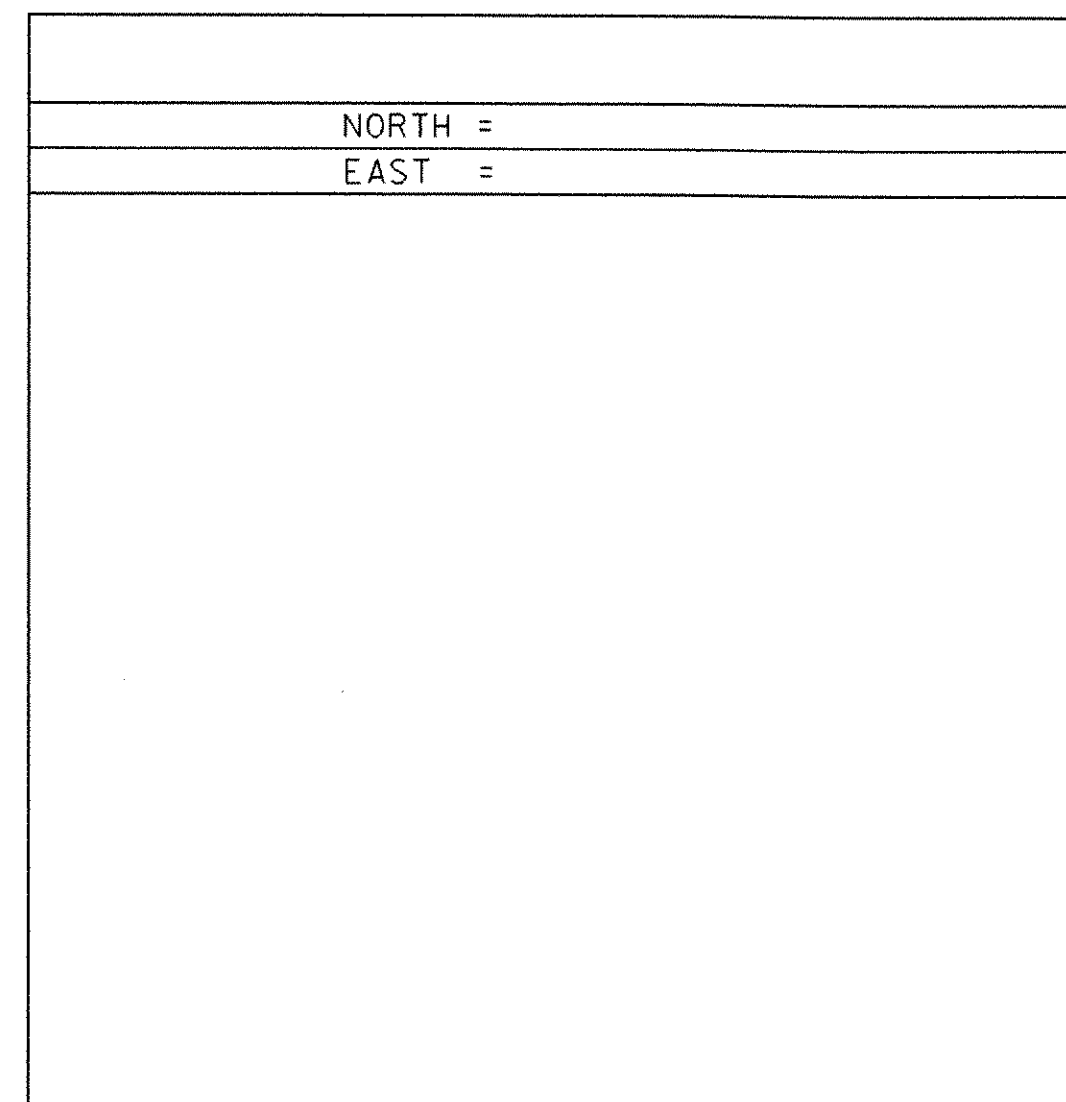
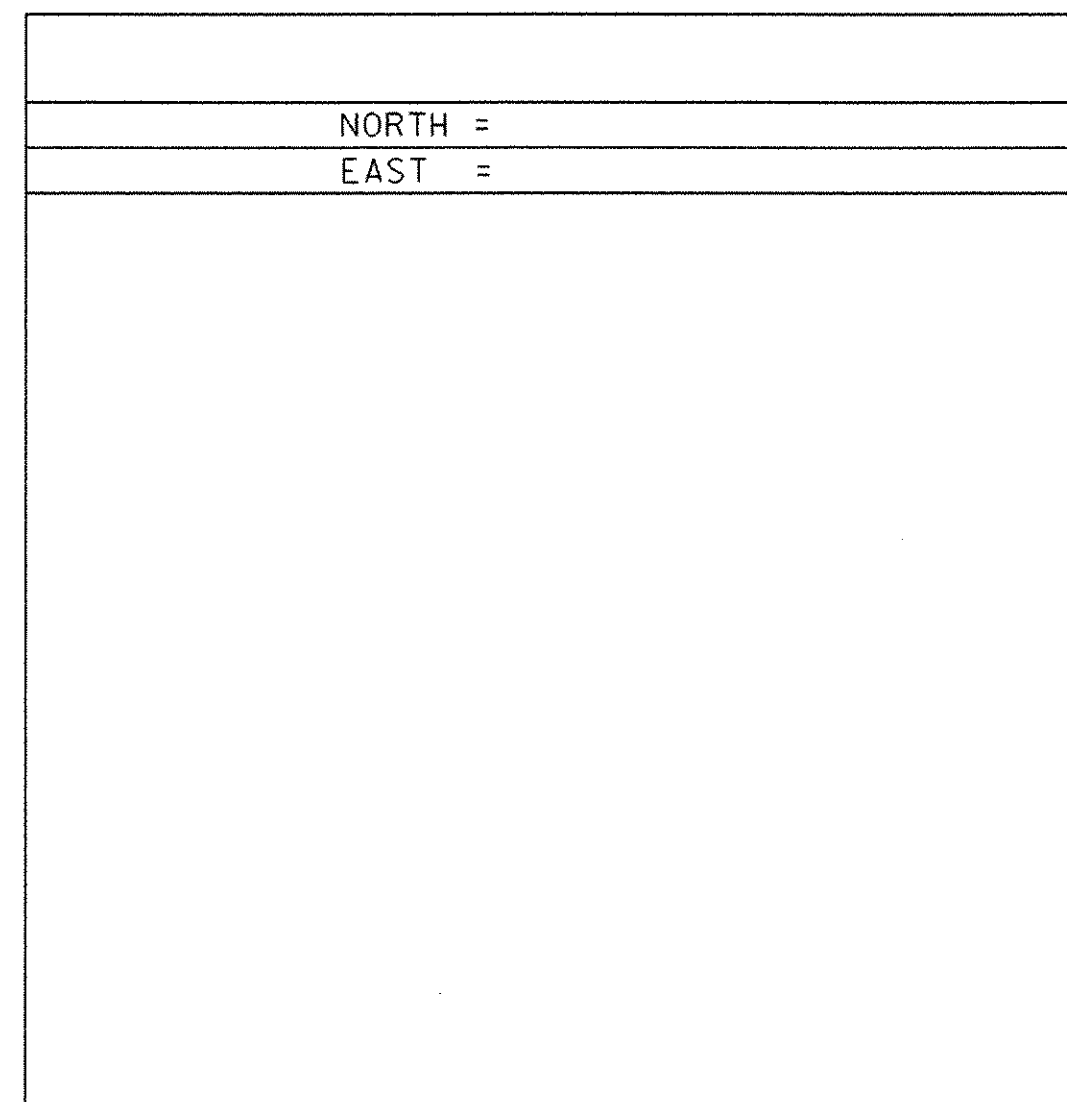
NO GPS Control
Coordinates are Assumed

TRAVERSE TIES



* Main Traverse Completed 09/21/05 by L.Orvis P.C. & R.Bullock & C.Jolly

ALIGNMENT TIES



DATUM	
VERTICAL	NAVD 88
HORIZONTAL	ASSUMED
ADJUSTMENT	NONE

PROJECT NAME:	Swanton
PROJECT NUMBER:	HES 036-1(12)
FILE NAME:	04b212\survey\04b212+1.dgn
PROJECT LEADER:	nyquist
DESIGNED BY:	bullock
	tb212+1e.1
PLOT DATE:	14-SEP-2006
DRAWN BY:	R. Bullock
CHECKED BY:	bullock
SHEET	5 OF 16