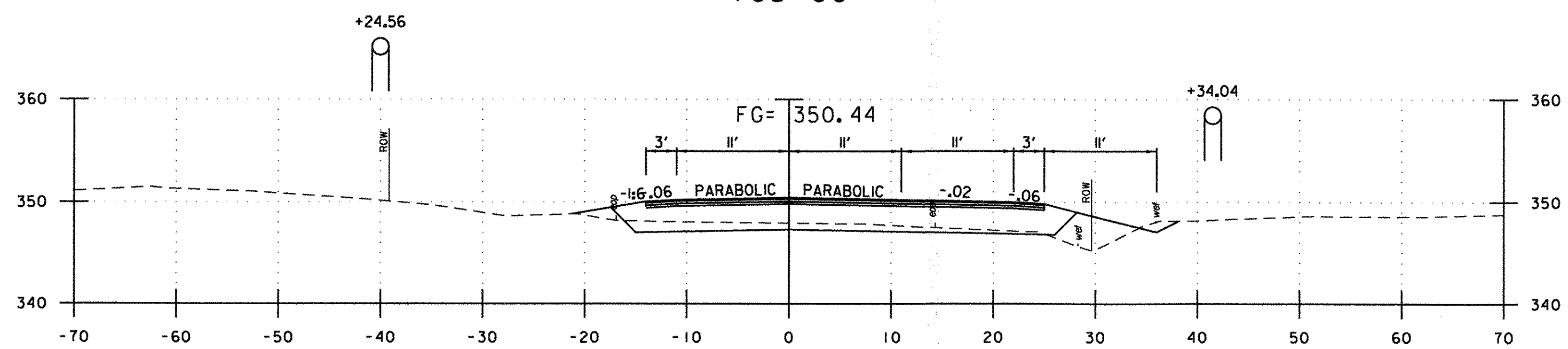
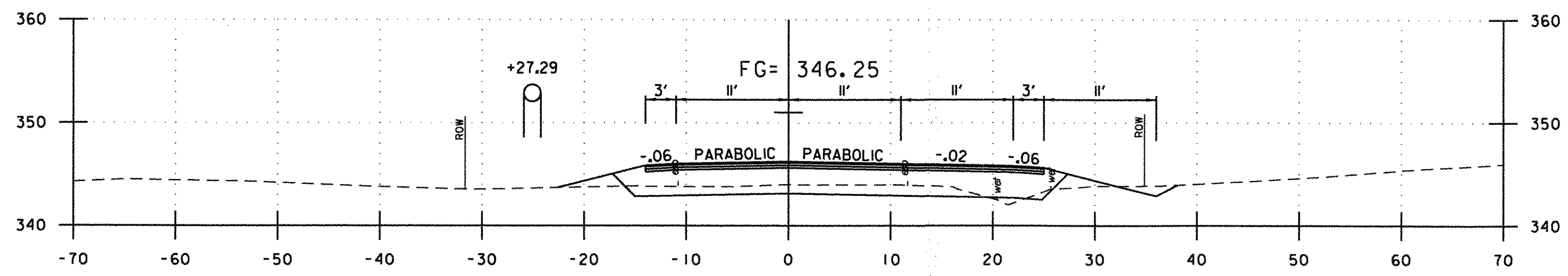


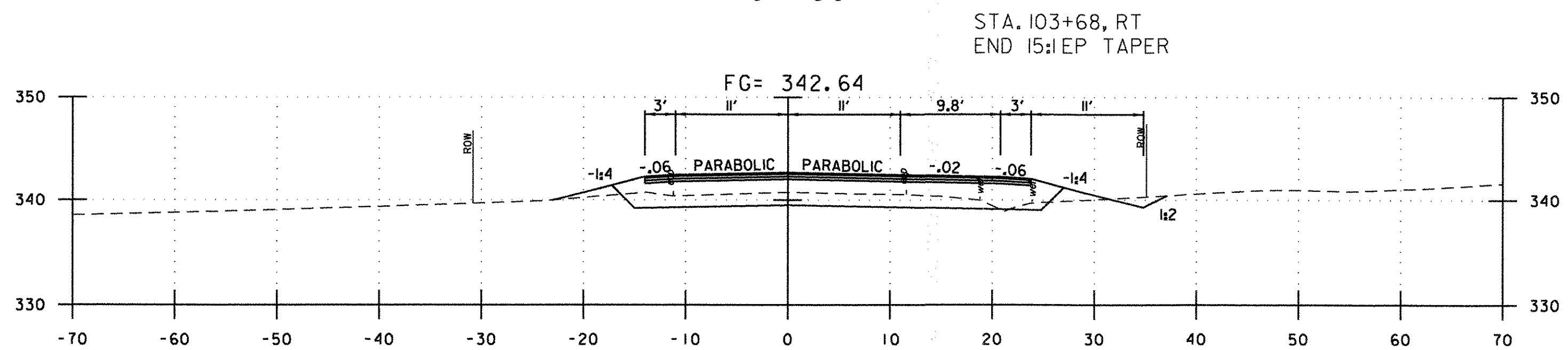
105+00



104+50

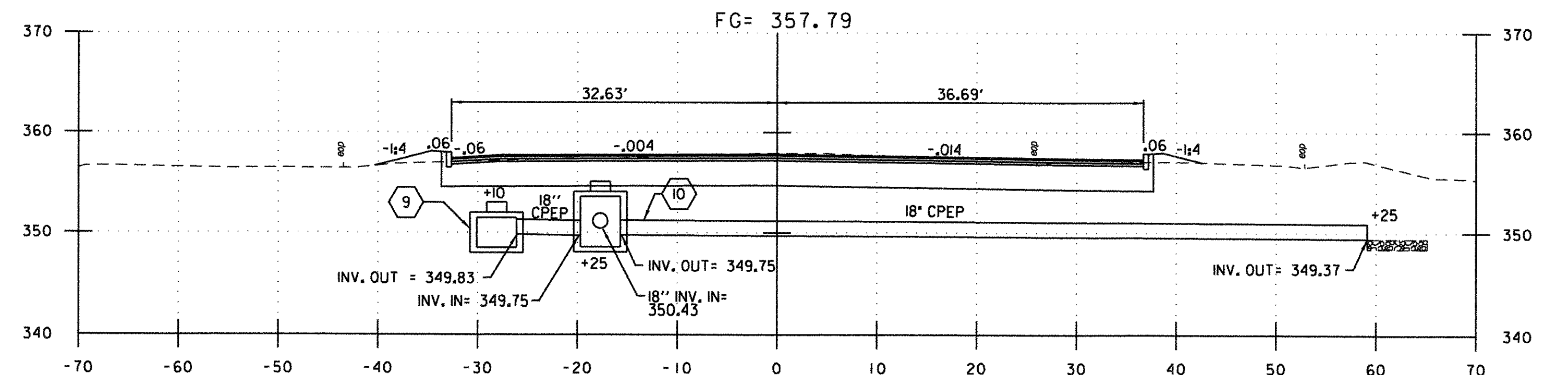


104+00



103+50

TH 4 SILVER ST STA 105+80.43 =
VT 116 STA 2+48.24



105+50

TH4 SILVER STREET



PROJECT NAME: HINESBURG
PROJECT NUMBER: HES 021-1(20)

FILE NAME: z04b206xsec.dgn
PROJECT LEADER: G. BAKOS
DESIGNED BY: D. PECK
CROSS SECTIONS 4

PLOT DATE: 2/18/2009
DRAWN BY: D. PECK
CHECKED BY: G. BAKOS
SHEET 25 OF 25