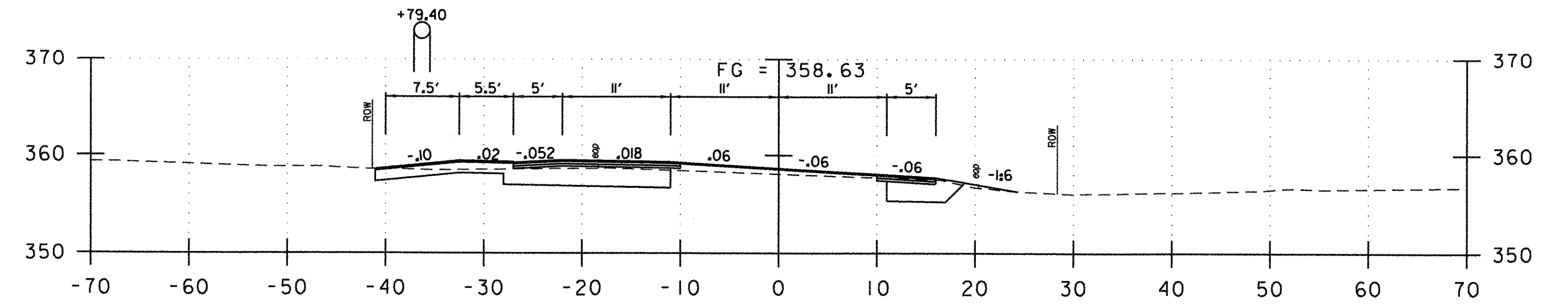
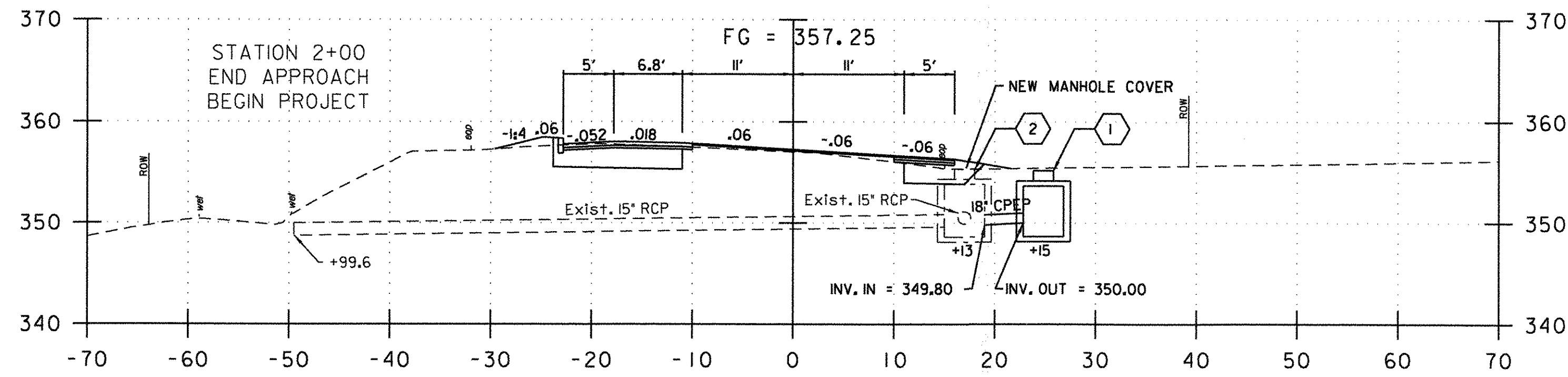


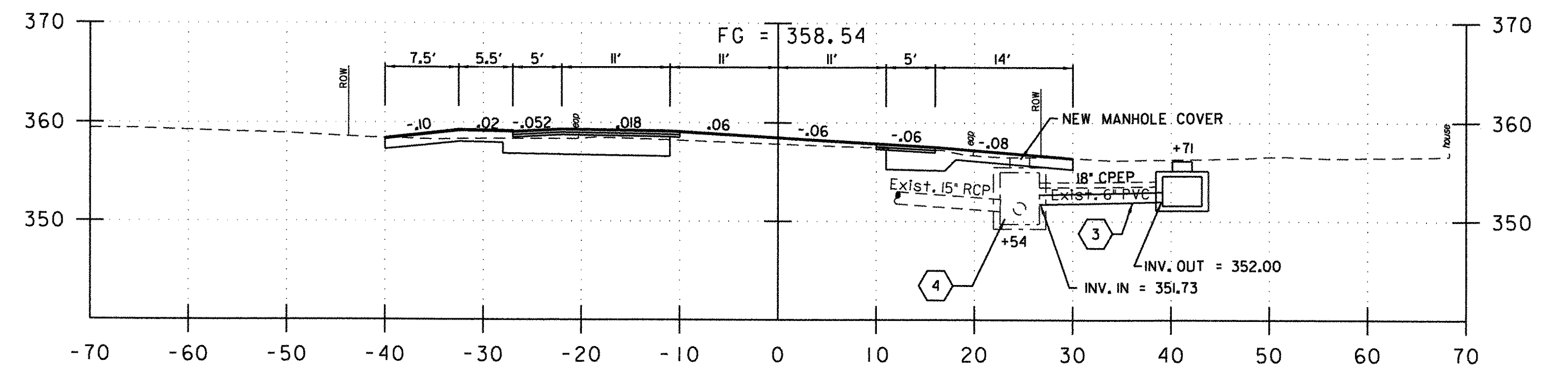
2+50



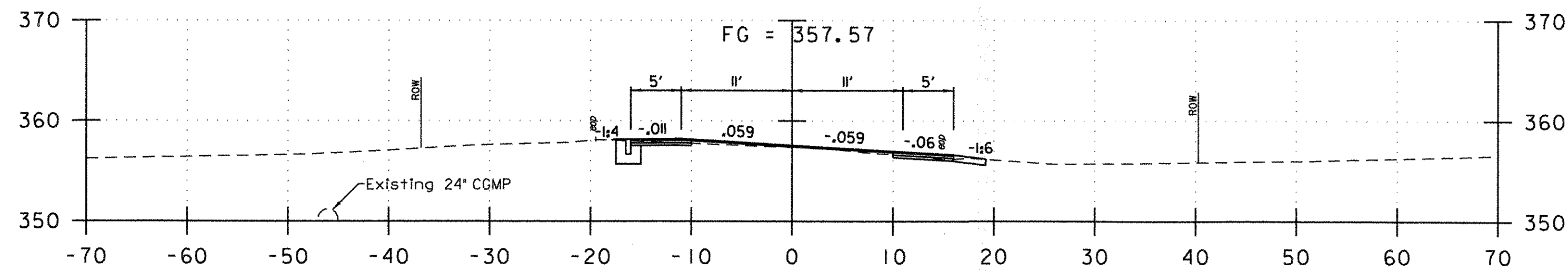
3+57



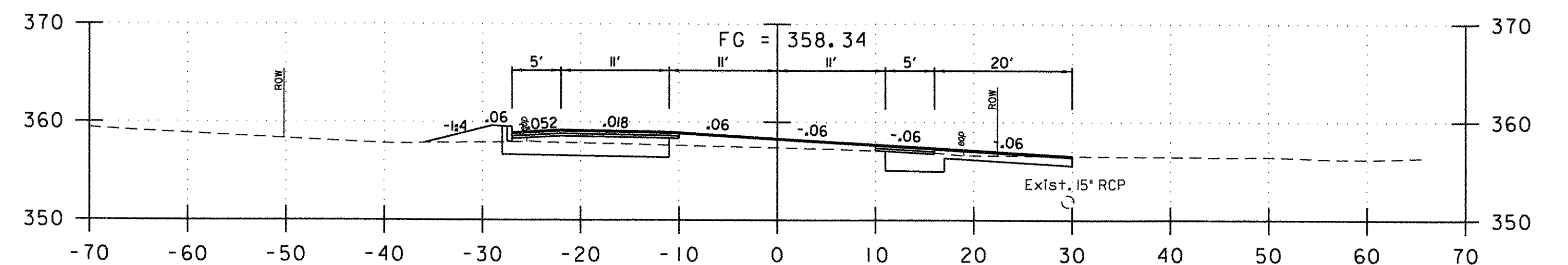
2+00



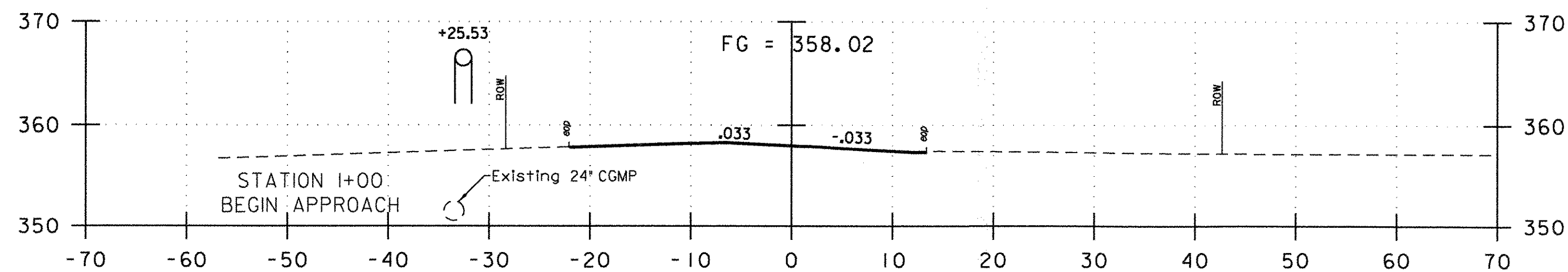
3+50



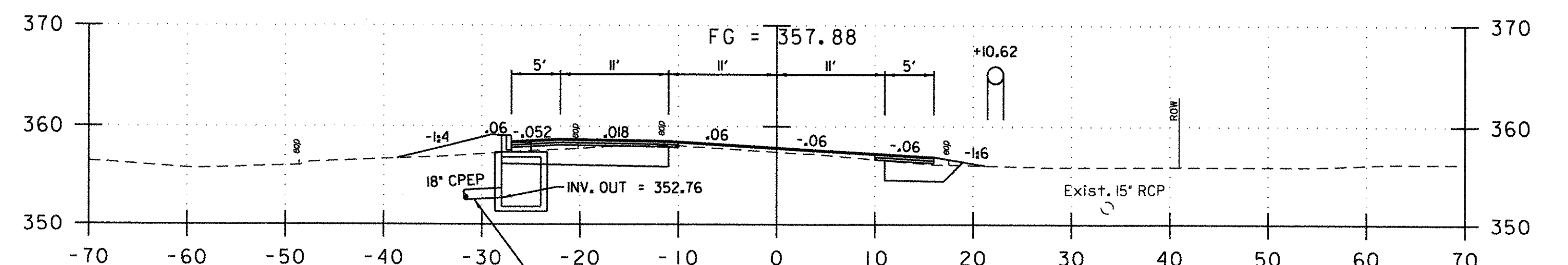
1+50



3+35



1+00



3+00

VT 116



**VHIB** Vanasse Hangen Brustlin, Inc.

PROJECT NAME: HINESBURG  
PROJECT NUMBER: HES 021-(120)

FILE NAME: z04b206xsec.dgn  
PROJECT LEADER: G. BAKOS  
DESIGNED BY: D. PECK  
CROSS SECTIONS 1

PLOT DATE: 2/18/2009  
DRAWN BY: D. PECK  
CHECKED BY: G. BAKOS  
SHEET 22 OF 25