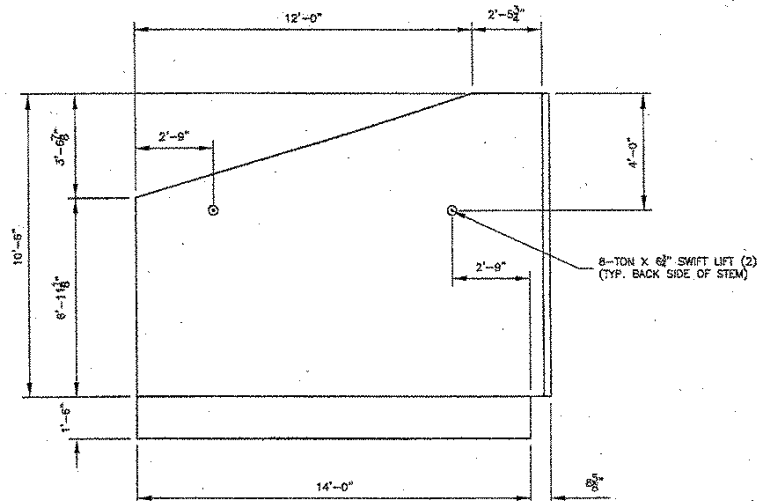
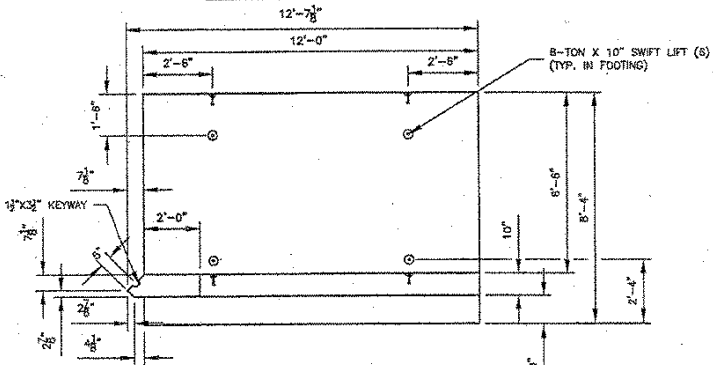


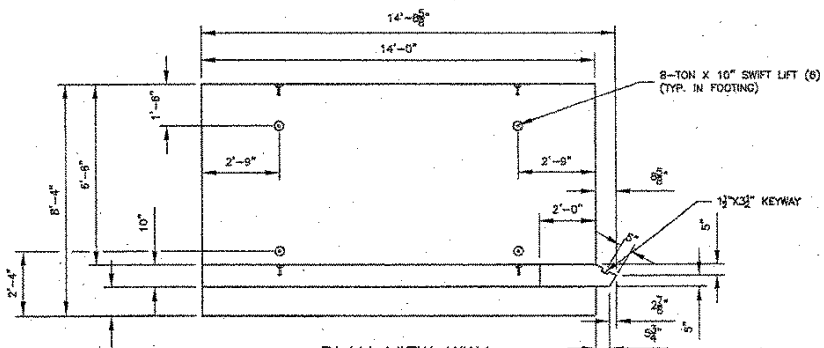
ELEVATION VIEW WW3



ELEVATION VIEW WW4



PLAN VIEW WW3



PLAN VIEW WW4

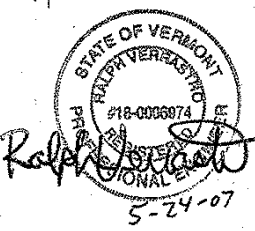
RECEIVED

CK'D BY JEL OK'D BY _____

MAY 25 2007

RESUBMIT _____ APPROVED slay107

BY WY DATE _____



| | | |
|---|---------|----------------------|
| REV. NO. | DATE | REVISION |
| 2 | 5/24/07 | REVISED WINGWALLS |
| 1 | 5/21/07 | REVISED PER COMMENTS |
| PREPARED BY: DELTA ENGINEERS | | |
| 184 COURT STREET, BINGHAMTON, NY 13901 TEL: (807) 231-6600 FAX: (807) 231-6600 | | |

| | |
|---|--------------------------------|
| PREPARED FOR: | |
| PRECAST INC. 78 PRECAST ROAD MILTON, VERMONT 05468 PHONE (802) 893-2401 FAX (802) 893-1542 | |
| DATE: 5/15/07 | ENGINE TITLE: WINGWALL DETAILS |
| SCALE: N.T.S. | DRW'G NO: 502 |
| PROJECT: VT 105, BRIDGE #50 15'-0" X 9'-0" BOX CULVERT JAY, VT | |
| CONTRACTOR: | DWG. NO: SD-01 |
| DESIGN PROJ. NO.: 2007.004.002 | SHEET NO: 5 OF 6 |