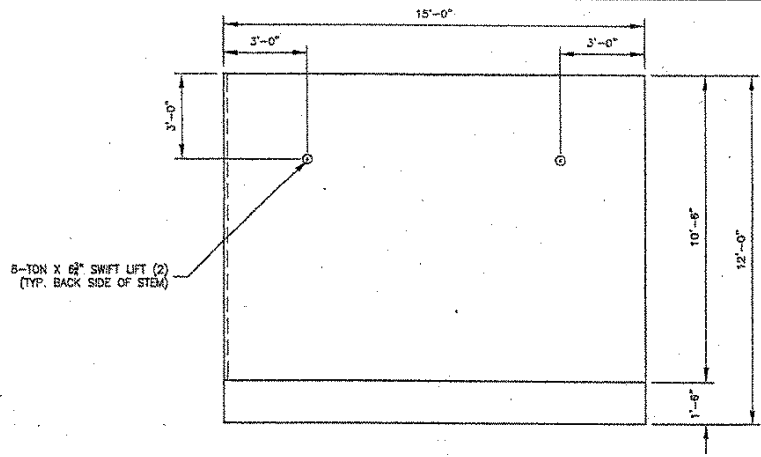
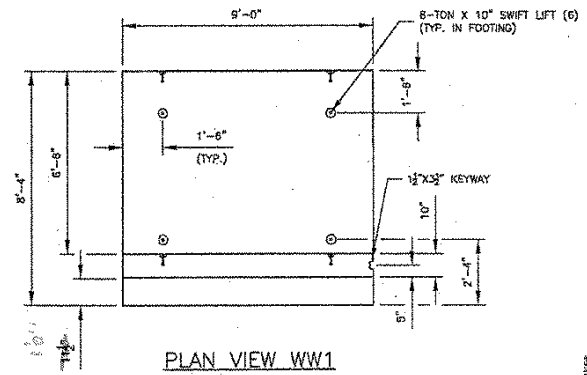


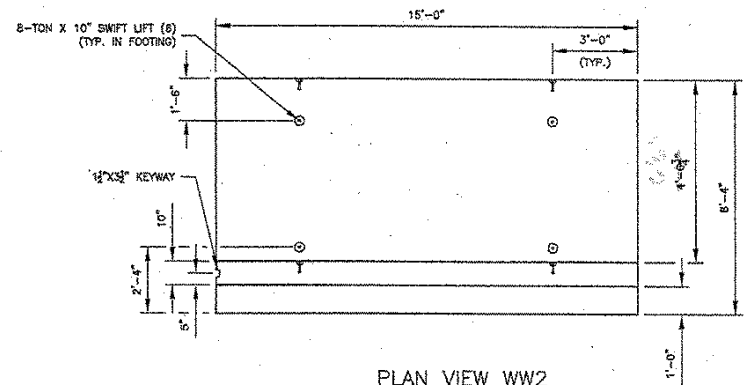
ELEVATION VIEW WW1



ELEVATION VIEW WW2



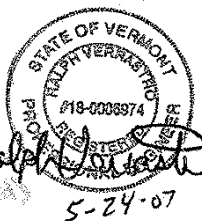
PLAN VIEW WW1



PLAN VIEW WW2

6# - 10,000 @ 3500 PSI    10# - 16,000 @ 3500 PSI (MAX)  
 - 13,000 @ 5000 PSI  
 \*NOTE: EXTRA LIFT INSERTS FOR MANUFACTURING PURPOSES

RECEIVED  
 CK'D BY JEL OK'D BY \_\_\_\_\_  
 MAY 25 2007  
 RESUBMIT \_\_\_\_\_ APPROVED [Signature]  
 BY WY DATE 5-24-07



2	5/24/07	REVISED WINGWALLS
1	5/21/07	REVISED PER COMMENTS
REV. NO.	DATE	REVISION

PREPARED BY: **DELTA ENGINEERS**  
 184 COURT STREET, BINGHAMTON, NY 13901  
 TEL: (607) 281-8660 FAX: (607) 281-8650

PREPARED FOR: **CAMP**  
 PRECAST INC.  
 78 PRECAST ROAD  
 MILTON, VERMONT 05468  
 PHONE (802) 883-2401 FAX (802) 893-1542

DATE: 5/15/07 SHEET TITLE: WINGWALL DETAILS DRAWN BY: CJB  
 SCALE: N.T.S. CHECK BY: [Signature]  
 PROJECT: VT 105, BRIDGE #50  
 15'-0" X 9'-0" BOX CULVERT  
 JAY, VT

ENGINEER: \_\_\_\_\_ DRAW. NO. SD-01  
 DATA PROJ. NO.: 2007.004.002 SHEET NO. 5 OF 6