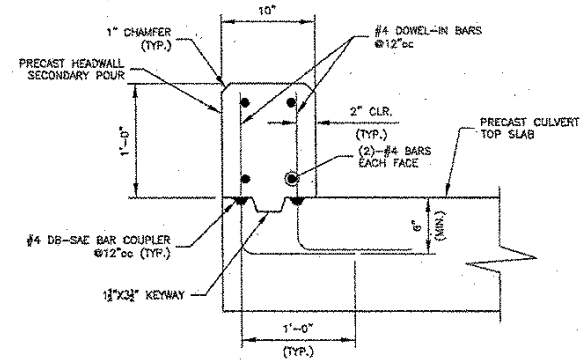


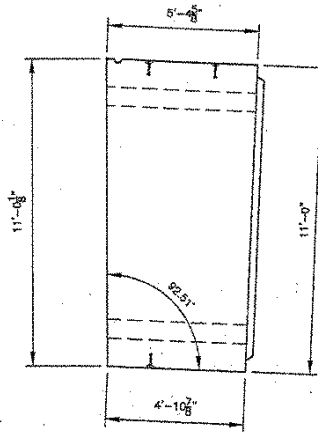
TYPICAL SECTION
(1' CLR. TYP.)

BAR LIST							
MARK	SIZE	SPA	TYPE	LENGTH	A	B	C
AS1	8	9"	"U"	18'-10"	4'-0"	10'-10"	4'-0"
AS2	9	7"	STR.	15'-8"	---	---	---
AS3	8	6"	STR.	15'-8"	---	---	---
AS4	4	10"	STR.	9'-8"	---	---	---
AS7	4	8"	STR.	12'-0"	---	---	---
AS8	4	8"	STR.	12'-0"	---	---	---
LONG.	4	12"	STR.	6'-1"	---	---	---

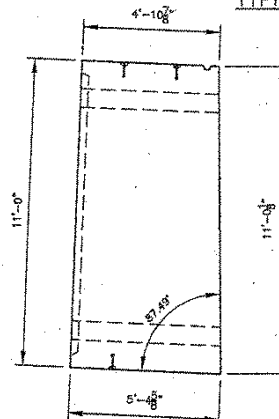
NOTE: BAR LIST FOR STANDARD 6'-3" SECTIONS. ADJUST QTY'S & LENGTHS AS REQ'D FOR END SECTIONS



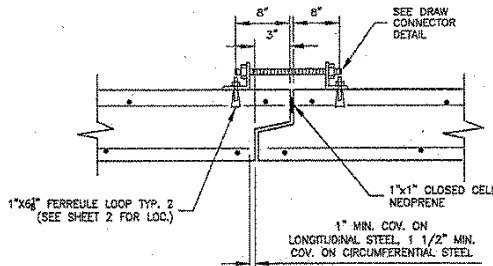
TYPICAL HEADWALL DETAIL



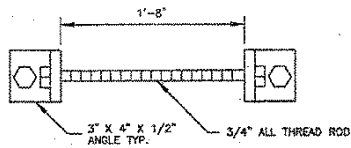
PIECEMARK BC-1
ELEVATION VIEW
(HEADWALL NOT SHOWN)



PIECEMARK BC-3
ELEVATION VIEW
(HEADWALL NOT SHOWN)



JOINT DETAIL



DRAW CONNECTOR DETAIL
(DRAW CONNECTORS TO BE REMOVED AFTER INSTALLATION)

RECEIVED

CK'D BY *JEL* OK'D BY _____

MAY 25 2007

RESUBMIT _____ APPROVED *Slavin*

BY *WY* DATE _____



PREPARED FOR:		CAMP	
PRECAST INC. 78 PRECAST ROAD MILTON, VERMONT 05488 PHONE (802) 893-2401 FAX (802) 893-1542		DATE: 5/15/07 SHEET TITLE: REINFORCING & CONNECTION DETAILS DRAWN BY: CJB	
SCALE: N.T.S.		CHECK BY: <i>SL</i>	
PROJECT: VT 105, BRIDGE #50 15'-0" X 9'-0" BOX CULVERT JAY, VT		DRAWN TO: SD-01	
DESIGNER: _____		CHECK NO.: 2007.004.002	
194 COURSE STREET, BINGHAMTON, NY 13901 TEL: (607) 831-8600 FAX: (607) 831-8850		SHEET NO.: 4 OF 8	