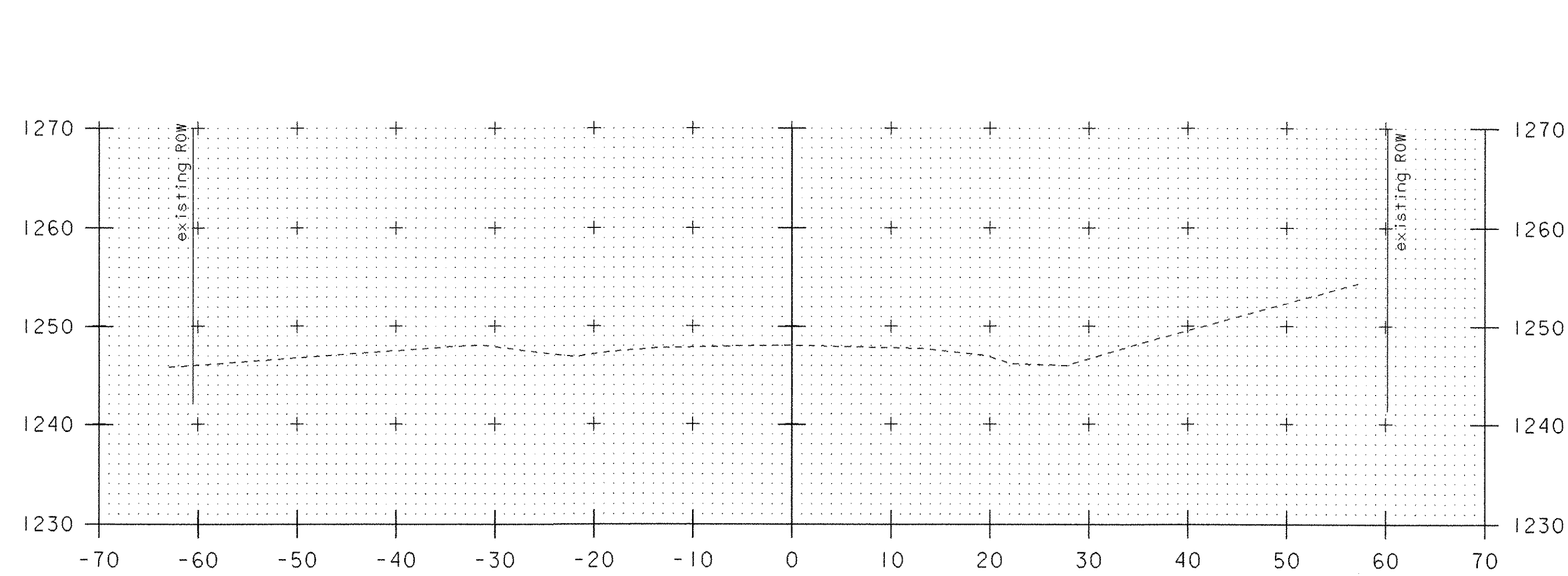
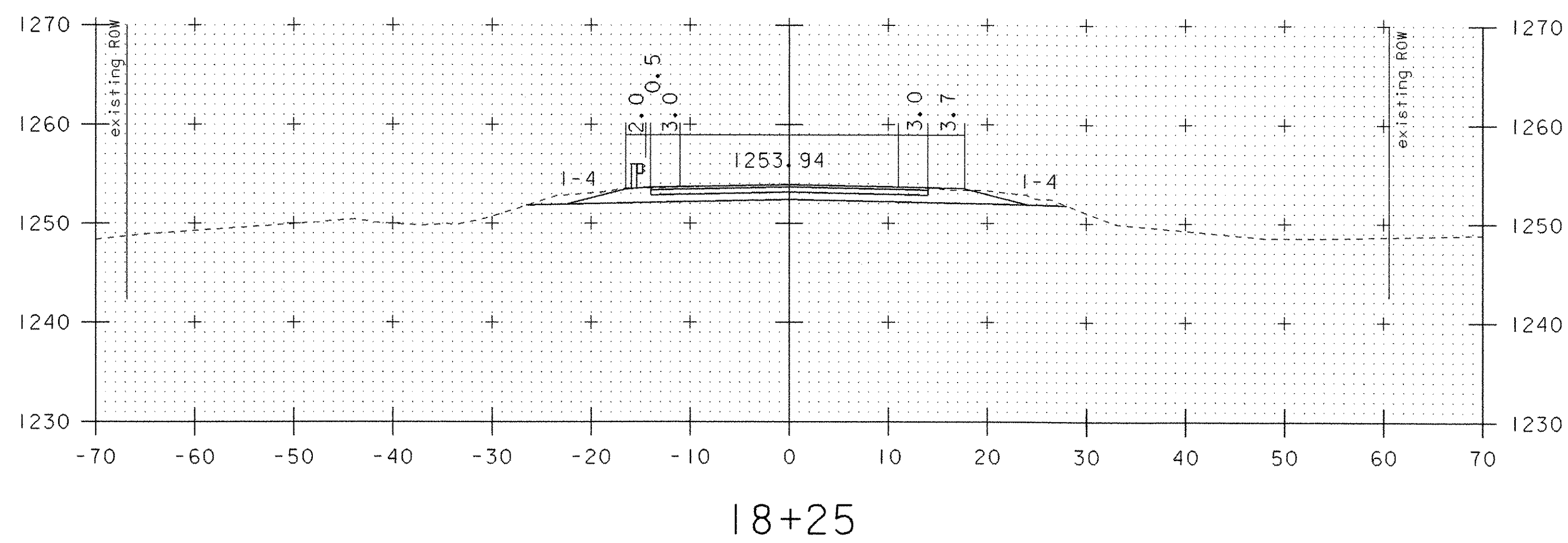


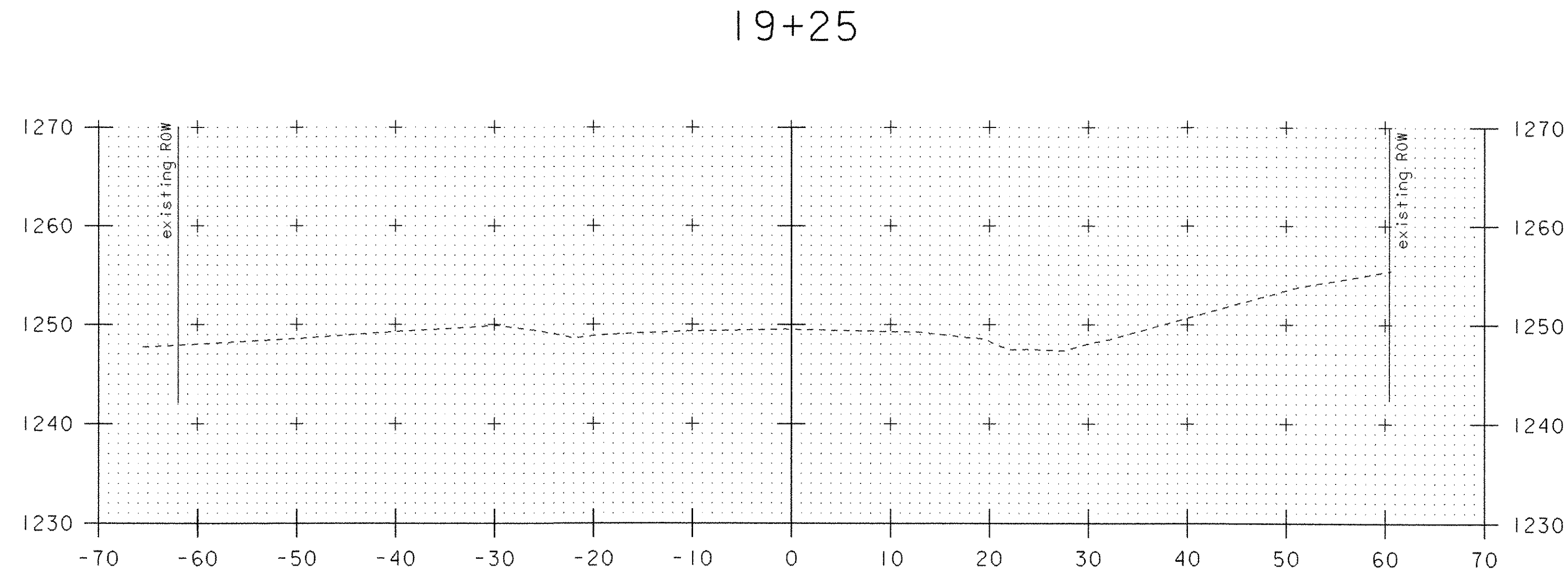
18+50



19+25

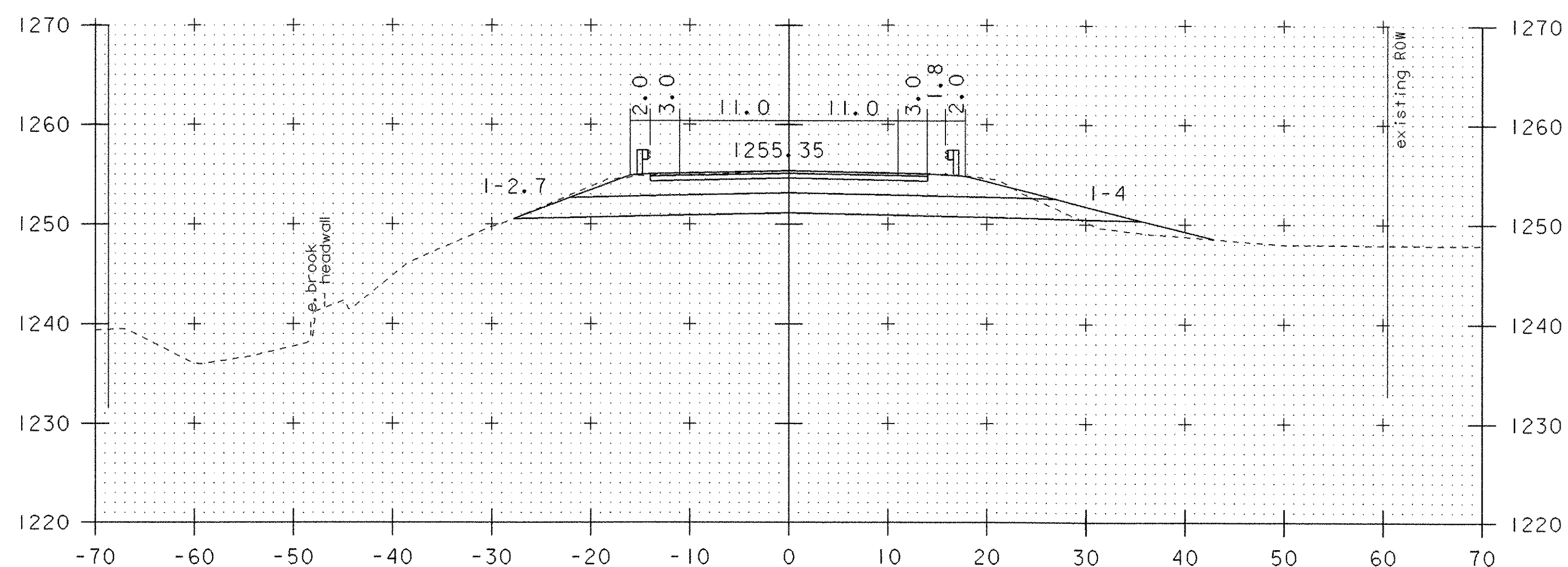


18+25



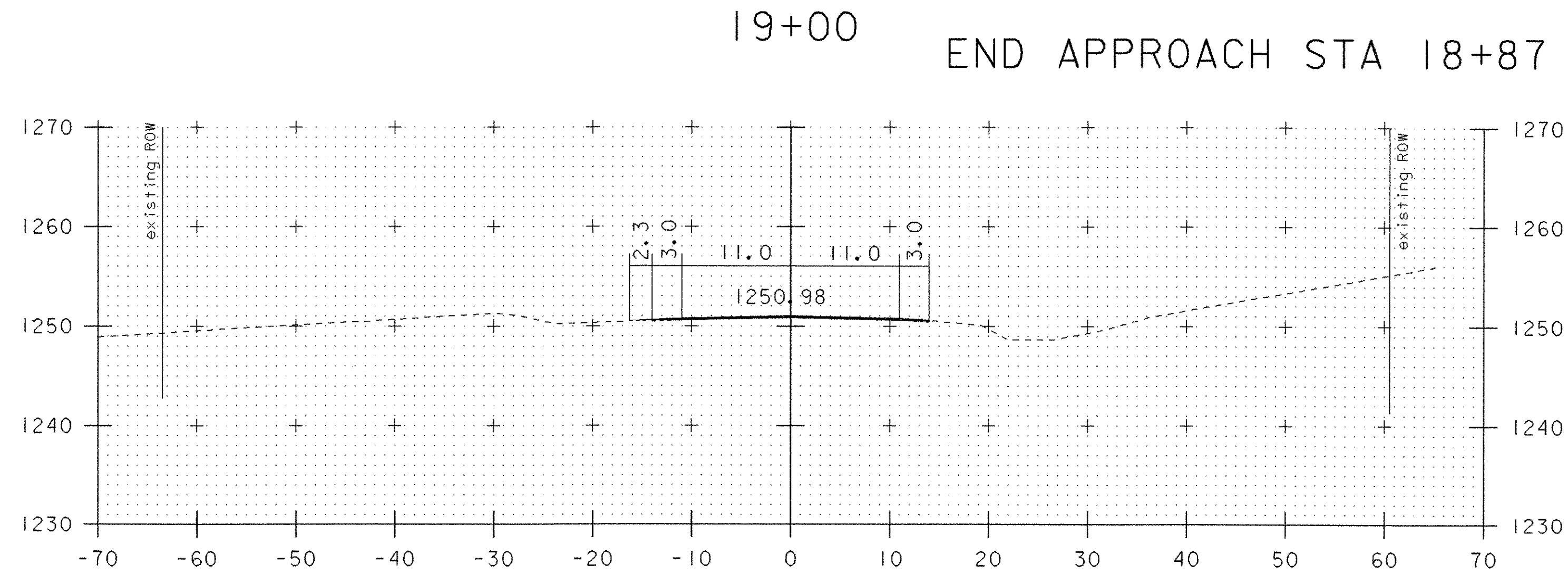
19+00

END APPROACH STA 18+87



18+00

17+98 END PROJECT



18+75

**MAINLINE CROSS SECTIONS**

PROJECT NAME:	JAY
PROJECT NUMBER:	ST STP CULV (2)
FILE NAME:	04b140\s04b140bdr.dgn
PROJECT LEADER:	W. SYMONDS
DESIGNED BY:	T. SUMNER
PLOT DATE:	23-OCT-2006
DRAWN BY:	G. SHANGRAW
CHECKED BY:	J. LACROIX
04b140xs3.i	SHEET 35 OF 39