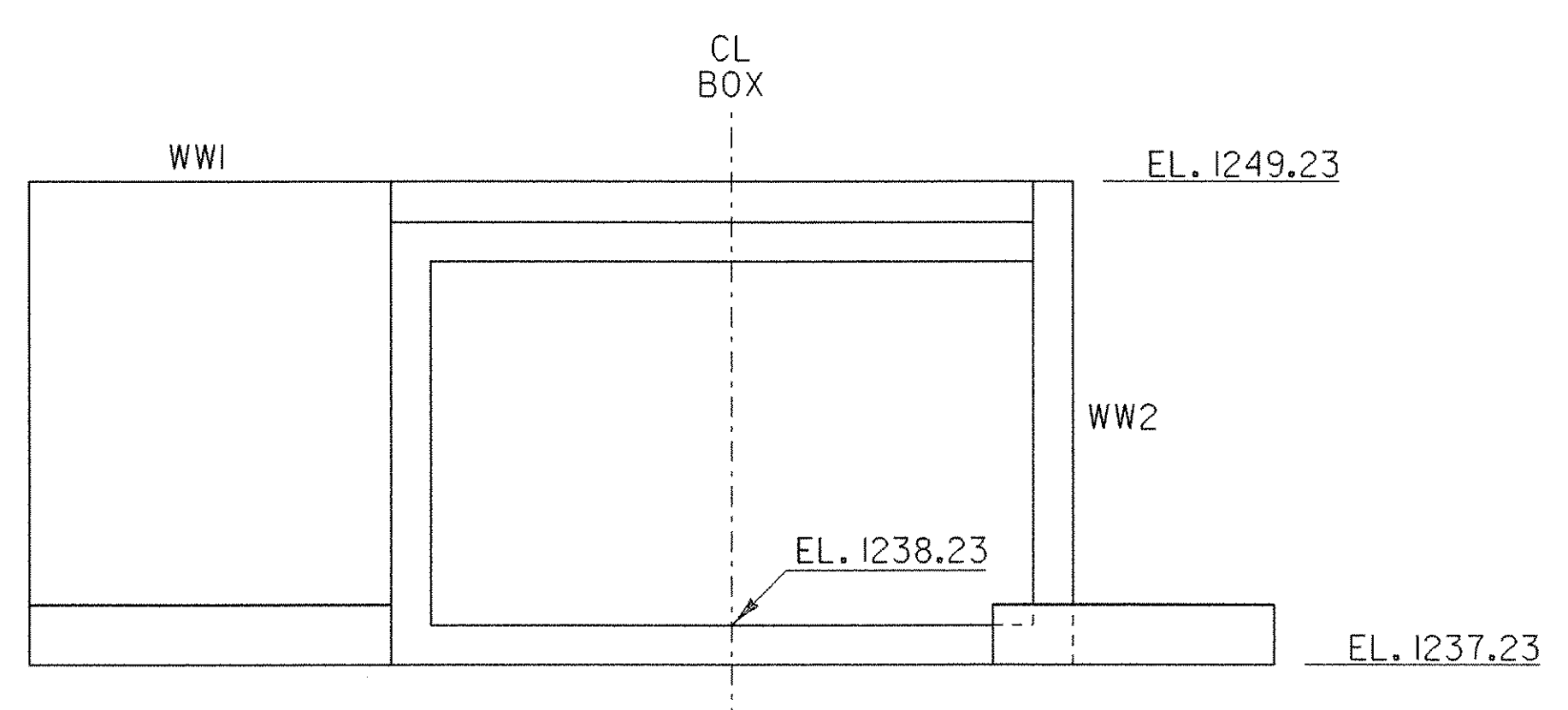


WORKING POINTS STATIONS & OFFSETS FROM CHANNEL LINE

WP#	STATION	OFFSET
WP1	53+06.78	20.02 LT.
WP2	53+06.78	28.52 LT.
WP3	53+06.78	37.52 LT.
WP4	53+06.78	11.52 LT.
WP5	52+91.78	11.52 LT.
WP6	53+86.23	20.02 LT.
WP7	53+86.23	28.52 LT.
WP8	53+94.71	37.00 LT.
WP9	53+86.23	11.52 LT.
WP10	53+93.23	0.61 RT.

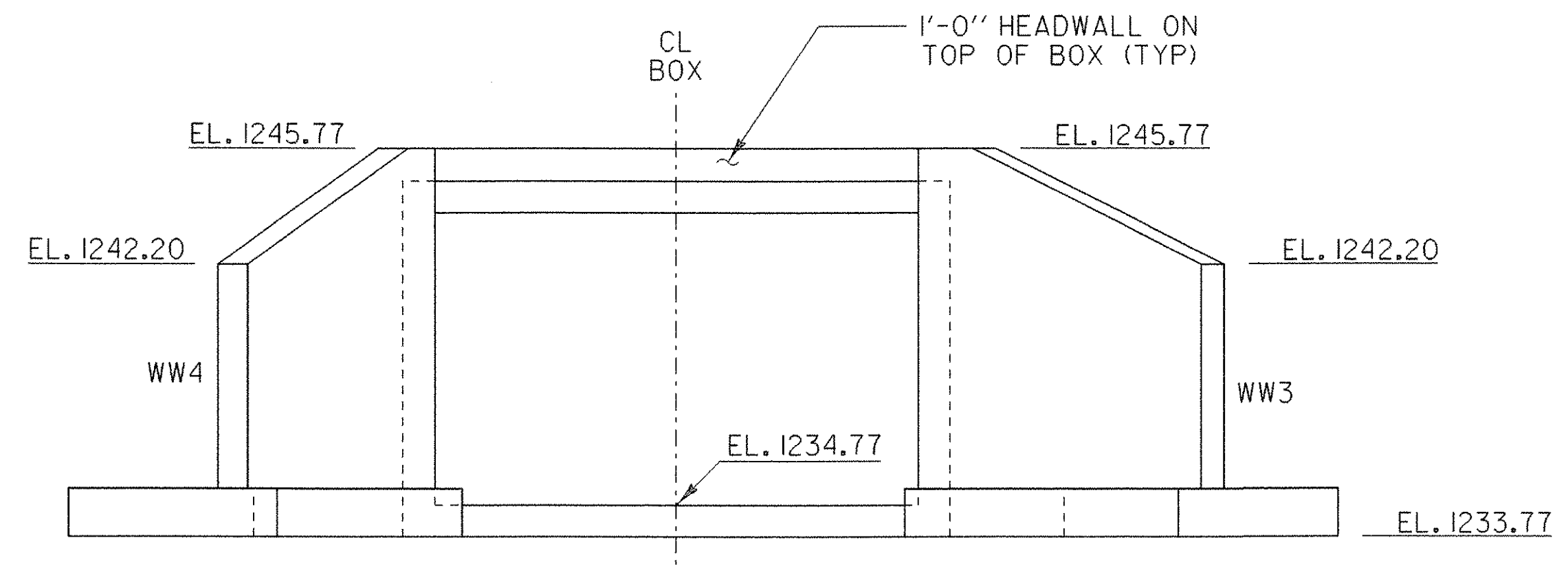
### BOX LAYOUT

SCALE 1/4" = 1'-0"



### INLET ELEVATION

SCALE 1/4" = 1'-0"



### OUTLET ELEVATION

SCALE 1/4" = 1'-0"

NOTE: DIMENSIONS SHOWN ARE BASED ON AN ASSUMED WALL THICKNESS OF 1'-0".

## BOX LAYOUT

PROJECT NAME: JAY  
 PROJECT NUMBER: ST STP CULV (2)  
 FILE NAME: Structures/s04b140boxplan.dgn PLOT DATE: 23-OCT-2006  
 PROJECT LEADER: W. SYMONDS DRAWN BY: G. SHANGRAW  
 DESIGNED BY: T. FILLBACH CHECKED BY: T. SUMNER  
 s04b140boxplan.i SHEET 31 OF 39