

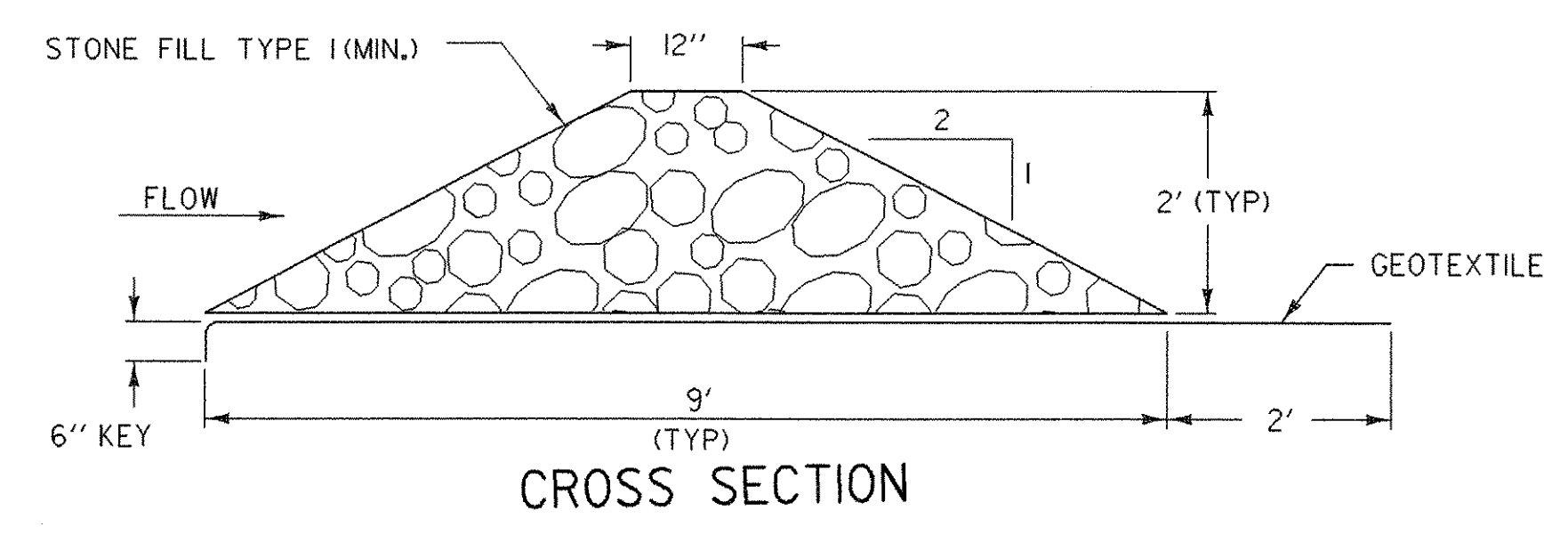
## TEMPORARY CHECK DAMS

### APPLICATION NOTES:

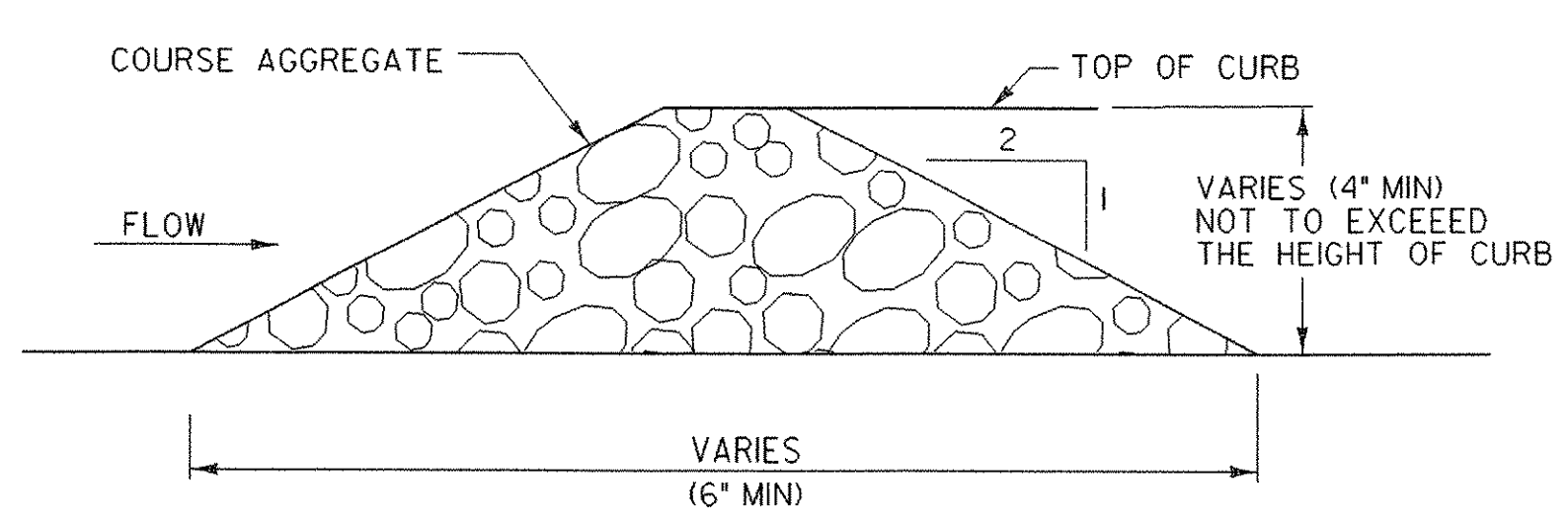
- A. TEMPORARY CHECK DAM TYPE I IS USED FOR CHANNEL FLOW, CHECK DAM TYPE II IS USED FOR FLOW ALONG A CURB.
- B. THE PRIMARY PURPOSE OF A TEMPORARY STONE CHECK DAM (TYPE I) IS TO REDUCE EROSION IN A CHANNEL BY REDUCING FLOW VELOCITY.
- C. THE PRIMARY PURPOSE OF A TEMPORARY STONE CHECK DAM (TYPE II) IS TO LIMIT THE AMOUNT OF SEDIMENT ENTERING A CLOSED DRAINAGE SYSTEM WITH STORMWATER RUNOFF.
- D. TEMPORARY CHECK DAMS WILL CAPTURE SEDIMENT THAT FALLS OUT OF SUSPENSION BEHIND THE CHECK DAMS DUE TO DECREASED VELOCITY. CHECK DAMS ARE NOT INTENDED TO FILTER SEDIMENT FROM STORMWATER.
- E. DETAILS SHOWN SHALL BE USED FOR TEMPORARY INSTALLATION ONLY.
- F. USE OF PREFABRICATED TEMPORARY CHECK DAMS SHALL BE AS APPROVED IN THE EPSCP.

### GENERAL NOTES:

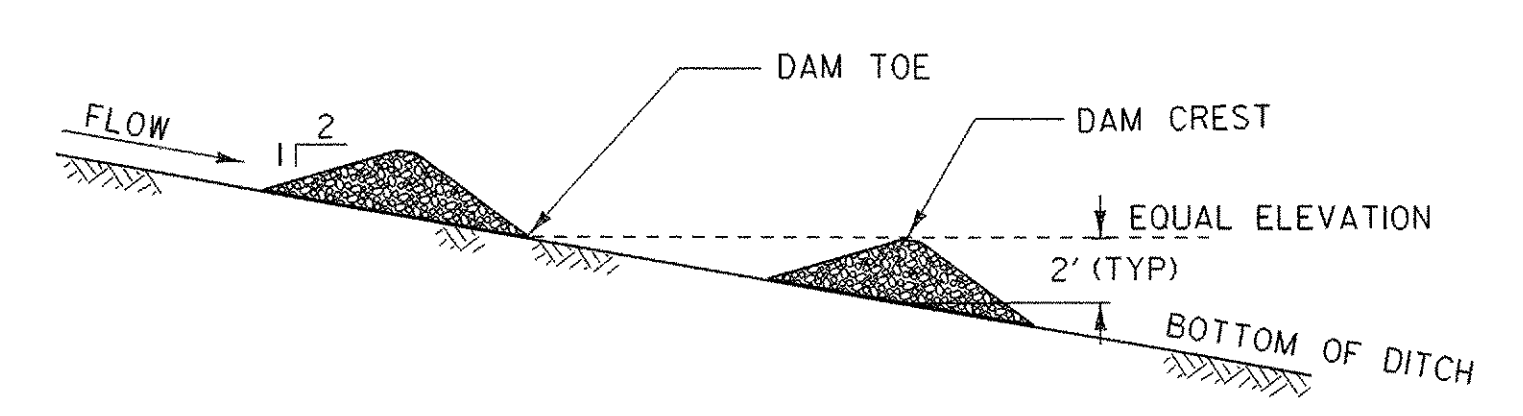
1. GEOTEXTILE SHALL BE INSTALLED UNDER TEMPORARY STONE CHECK DAMS TYPE I. IT SHALL BE KEYED IN ON THE UPHILL END AND SHALL EXTEND 2 FEET BEYOND THE STONE ON THE DOWNHILL END.
2. STONE FOR TEMPORARY STONE CHECK DAMS SHALL MEET THE GRADATION REQUIREMENTS SPECIFIED IN THE CONTRACT DOCUMENTS.
3. PREFABRICATED TEMPORARY CHECK DAMS SHALL BE INSTALLED PER MANUFACTURERS RECOMMENDATIONS.
4. TEMPORARY CHECK DAMS SHALL BE INSPECTED EVERY SEVEN (7) CALENDAR DAYS AND WITHIN 24 HOURS OF A STORM EVENT GREAT ENOUGH TO CAUSE WATER TO LEAVE THE CONSTRUCTION SITE.
5. TEMPORARY CHECK DAMS SHALL BE CLEANED AND REPAIRED AS NEEDED. SEDIMENT SHALL BE REMOVED WHEN ACCUMULATION REACHES ONE-HALF OF THE HEIGHT OR AS RECOMMENDED BY THE MANUFACTURER. SEDIMENT SHALL BE DISPOSED OF AT AN APPROVED WASTE SITE.
6. AT TIME OF REMOVAL OF THE TEMPORARY CHECK DAM, THE DISTURBED AREA SHALL BE REPAIRED AND STABILIZED.



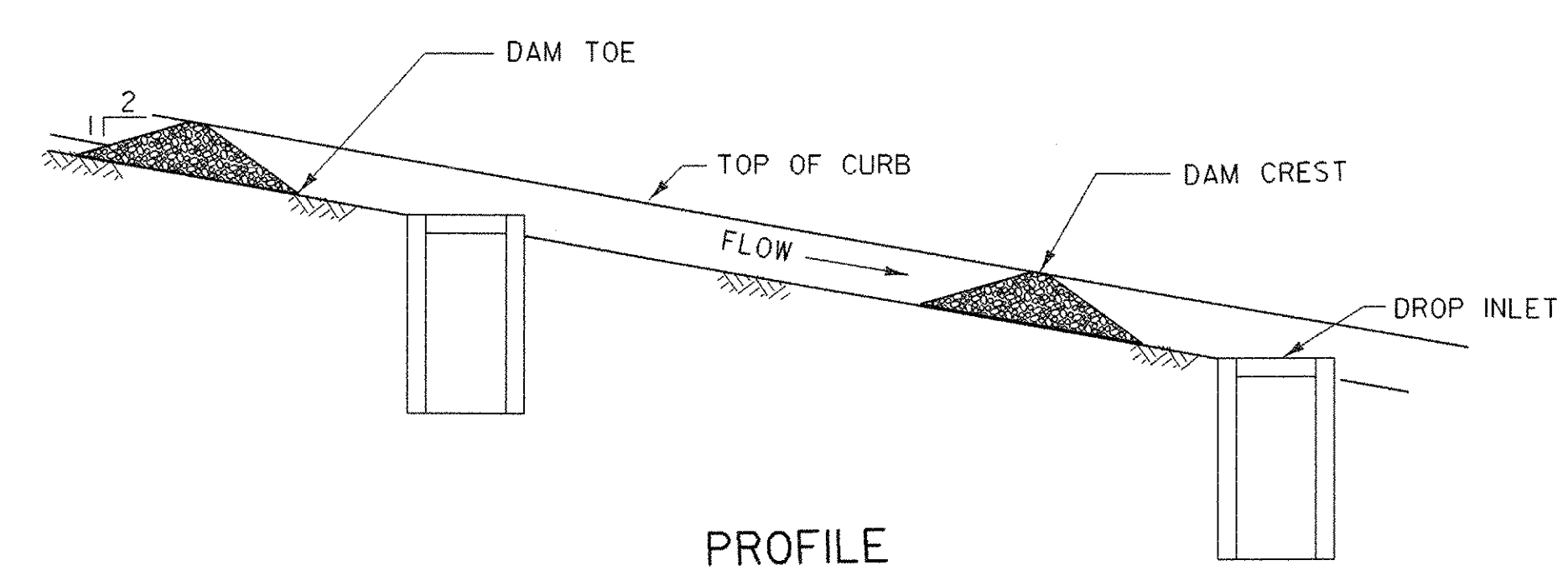
CROSS SECTION



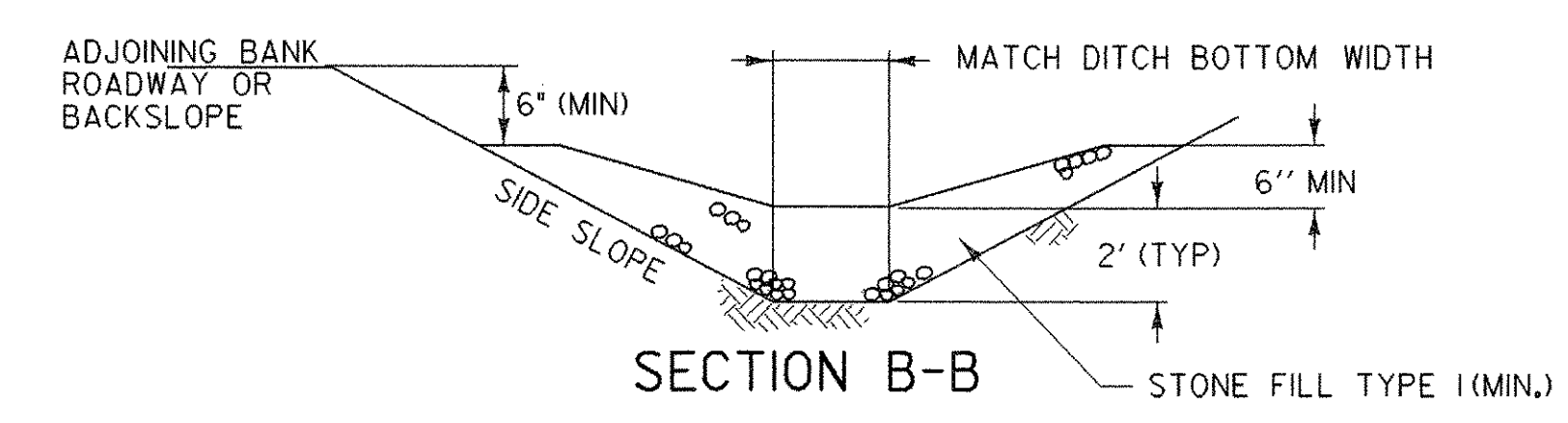
CROSS SECTION



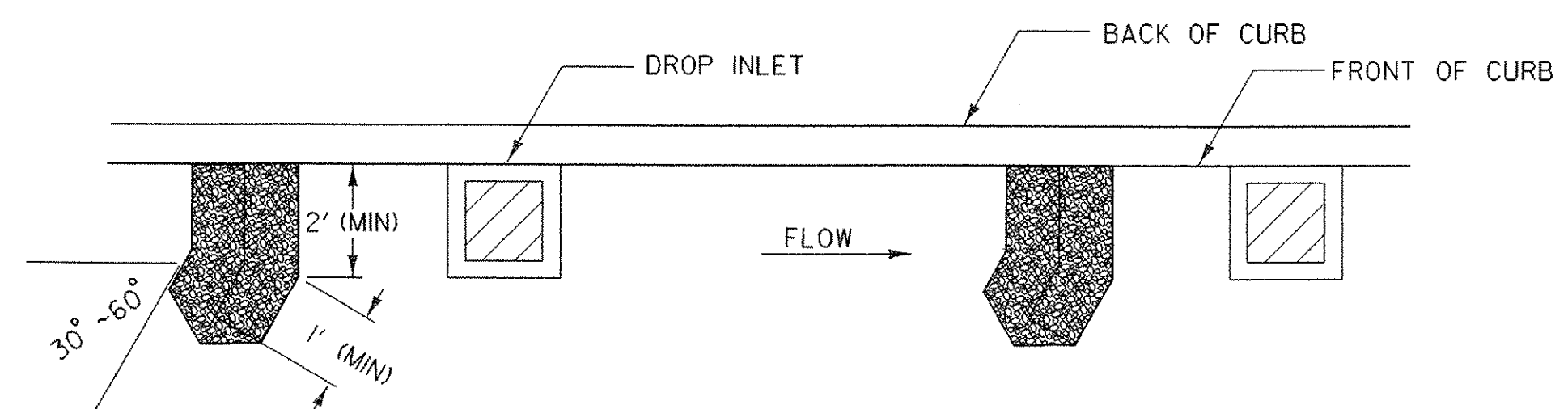
PROFILE



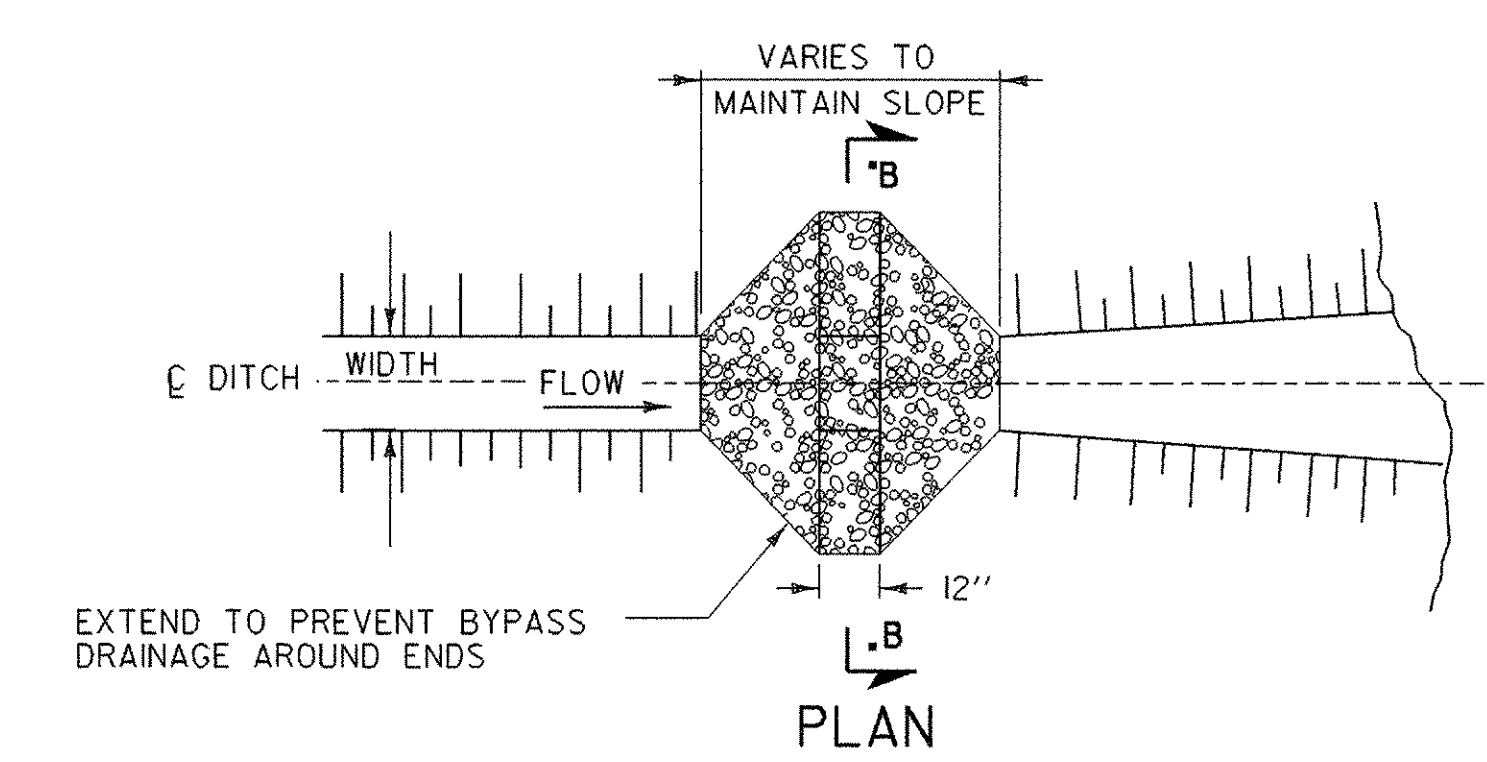
PROFILE



SECTION B-B



PLAN



PLAN

TEMPORARY STONE CHECK DAM  
TYPE I

NOT TO SCALE

TEMPORARY STONE CHECK DAM  
TYPE II

NOT TO SCALE

STONE CHECK DAM PLACEMENT INTERVAL	
DITCH SLOPE	PLACEMENT INTERVAL **
1 %	200 FT
2 %	100 FT
3 %	65 FT
4 %	50 FT
5 %	40 FT
6 %	30 FT
8 %	25 FT
10 %	20 FT

\*\* BASED ON 2' TYPICAL HEIGHT

REVISIONS AND CORRECTIONS  
JULY 15, 2005      N. GARBACK

## EROSION PREVENTION & SEDIMENT CONTROL DETAILS TEMPORARY CHECK DAMS

PROJECT NAME:                    JAY	
PROJECT NUMBER:                ST STP CULV (2)	
FILE NAME:                    04b140\epsc.dgn	PLOT DATE: 23-OCT-2006
PROJECT LEADER:             W. SYMONDS	DRAWN BY:                    J. REED
DESIGNED BY:                 T. FILLBACH	CHECKED BY:                J. LACROIX
epsc2.i	SHEET 17 OF 39