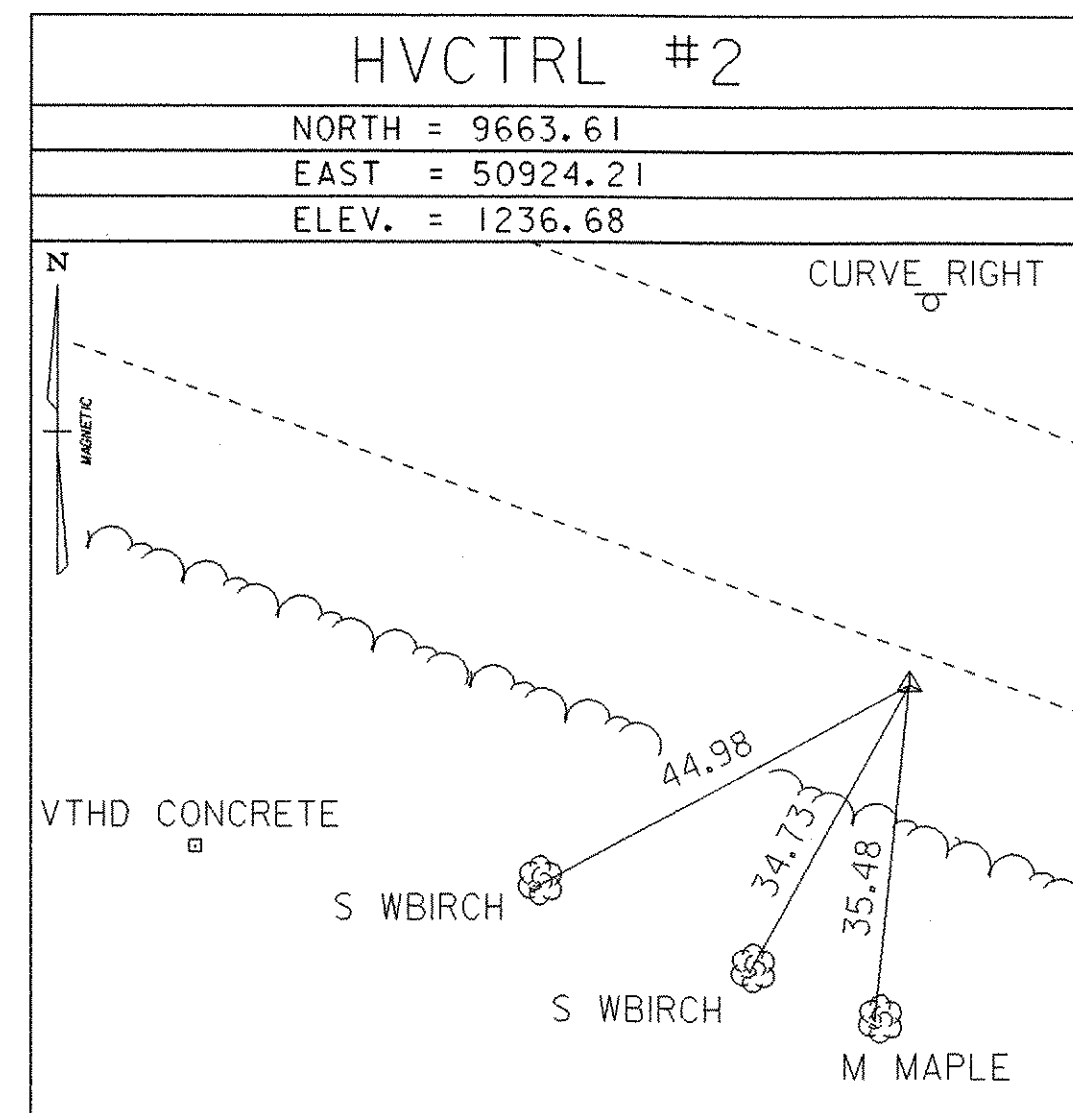
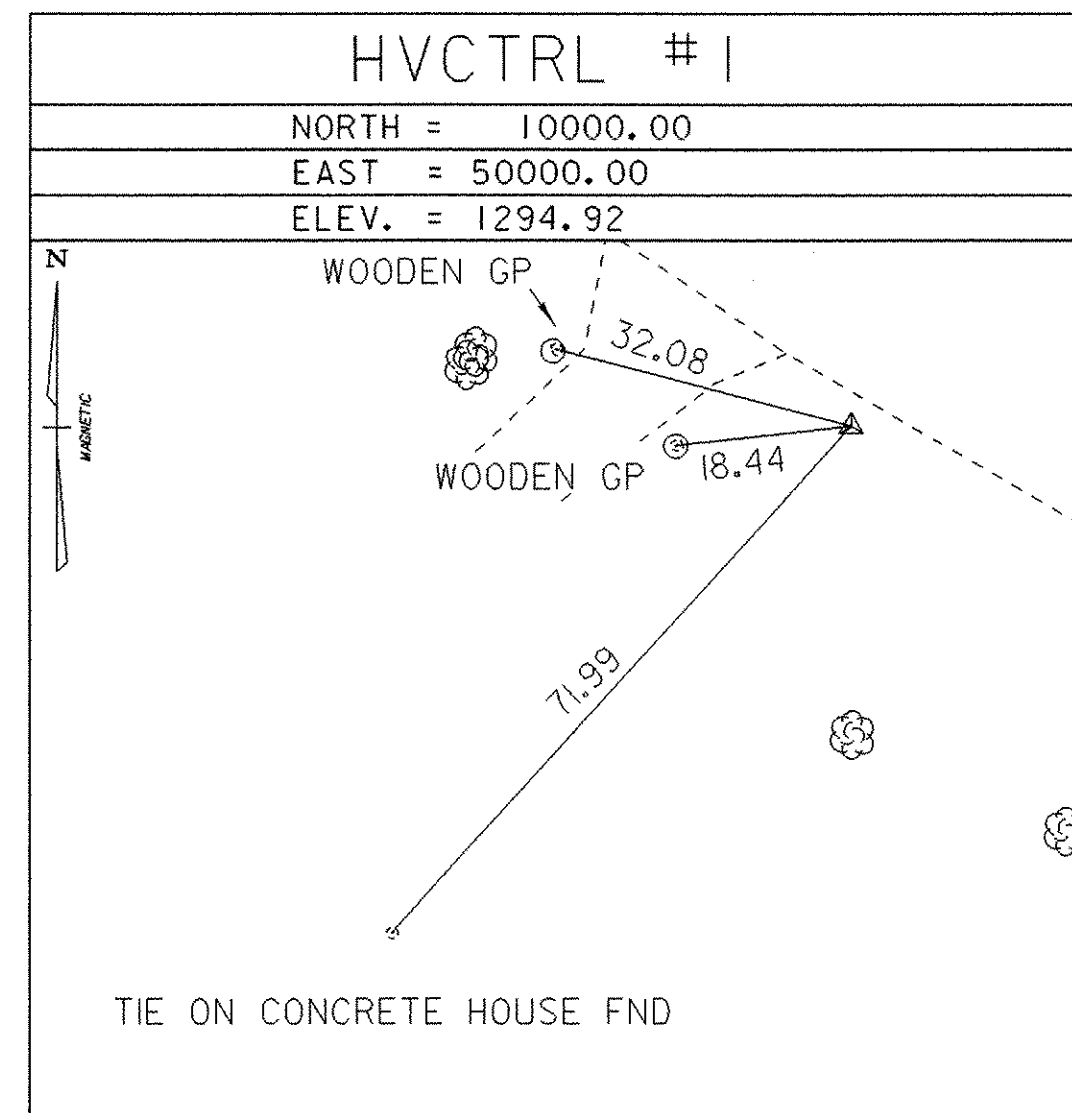


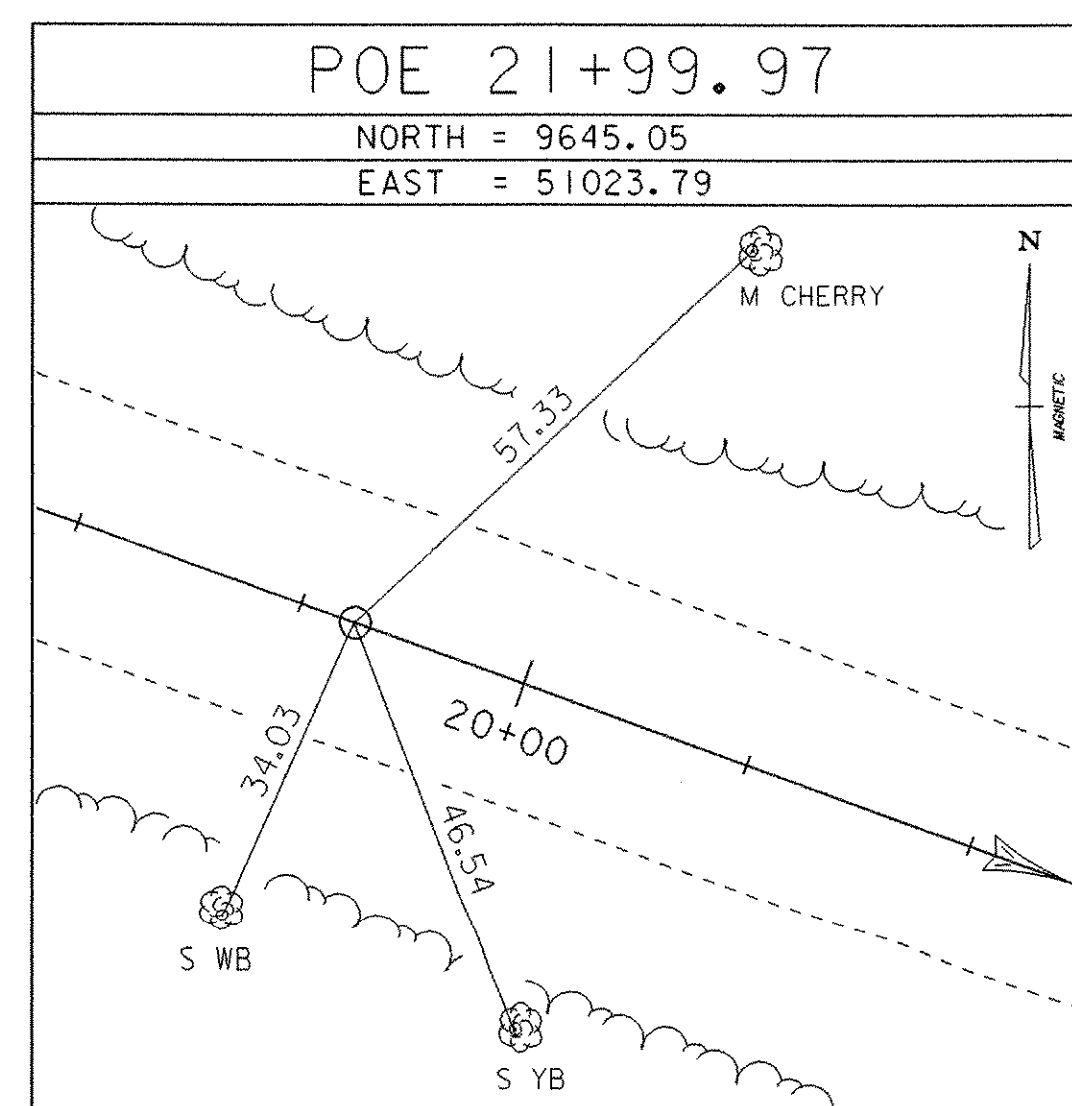
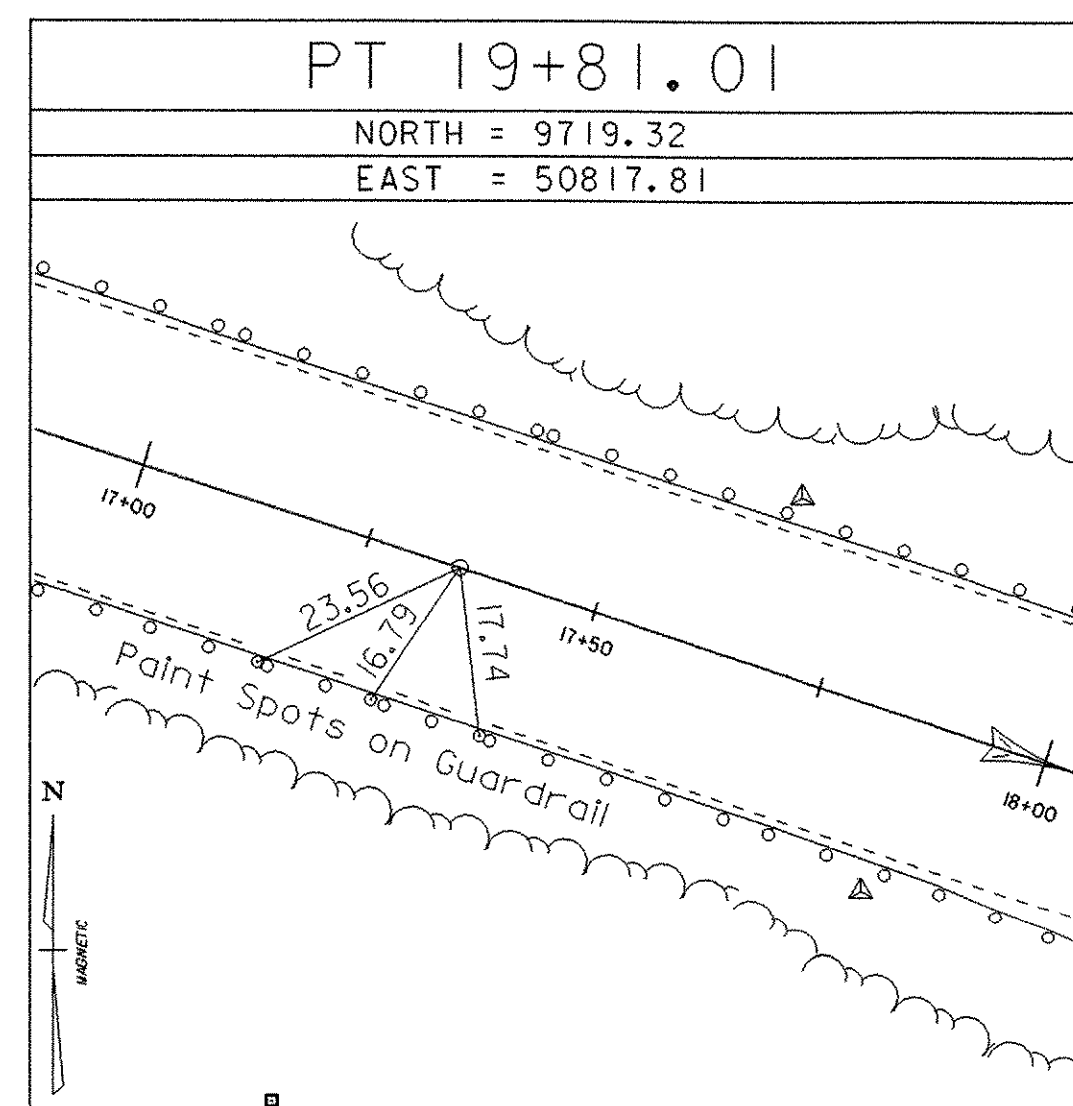
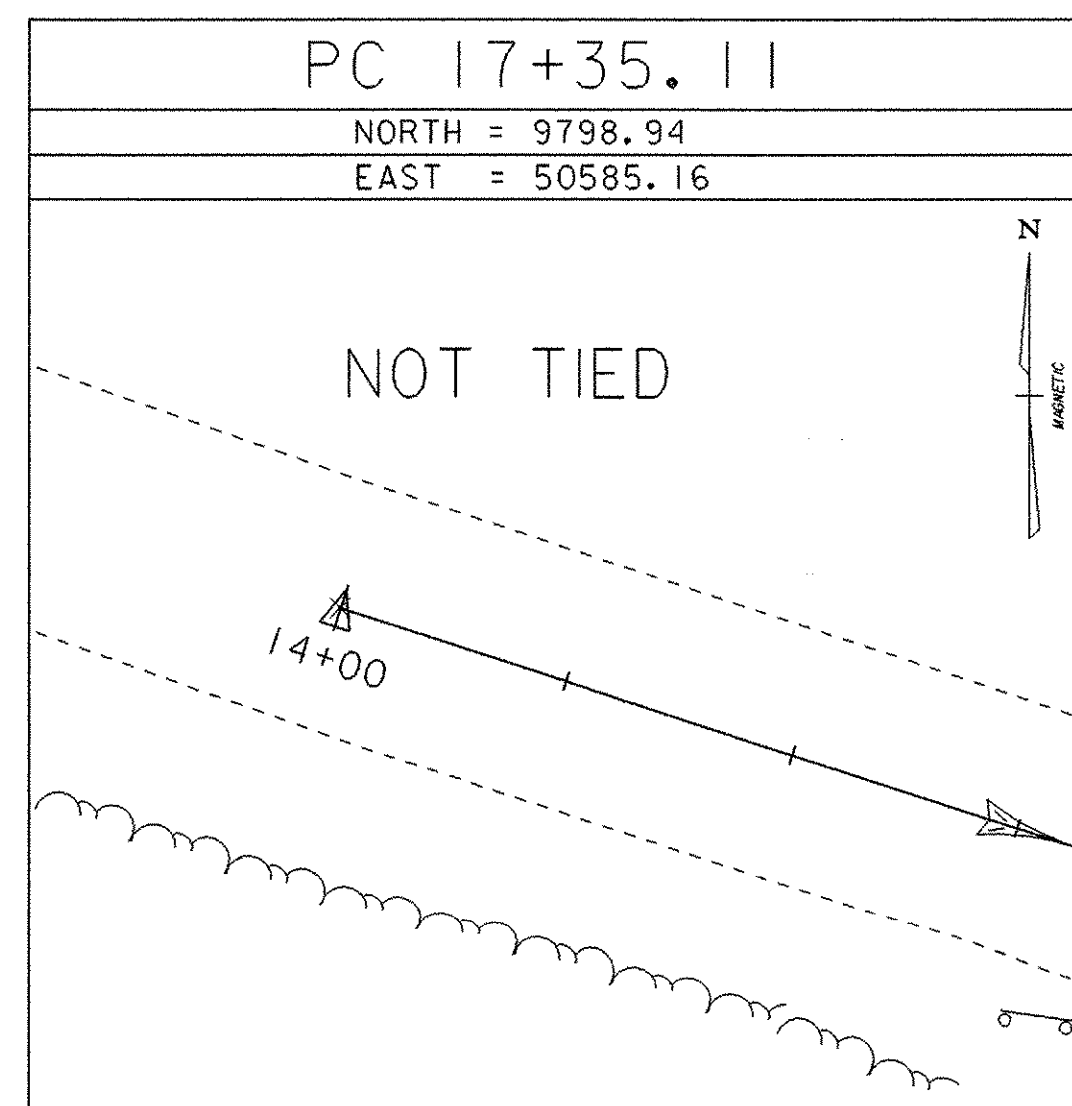
GPS CONTROL POINTS

TRAVERSE TIES



• Traverse Completed 11-08-2004 by R. Gilman P.C. & P. Winters

ALIGNMENT TIES



• Alignment Staked 05-15-2006 by R. Gilman P.C. & P. Winters

DATUM	
VERTICAL	NAVD 1929
HORIZONTAL	ASSUMED
ADJUSTMENT	N/A

PROJECT NAME: JAY
 PROJECT NUMBER: ST STP CULV (2)

FILE NAME: 04b140\survey\04b140t1.dgn
 PROJECT LEADER: W. SYMONDS
 DESIGNED BY: R. Gilman
 PLOT DATE: 23-OCT-2006
 DRAWN BY: R. BULLOCK
 CHECKED BY: P. WINTERS
 SHEET 4 OF 39

TIE SHEET