

MATERIAL ITEM	TOLERANCE
PAVEMENT	± 1/4" TOTAL THICKNESS
BASE COURSE	± 1/2"
SUBBASE	± 1"
SAND BORROW	± 1"

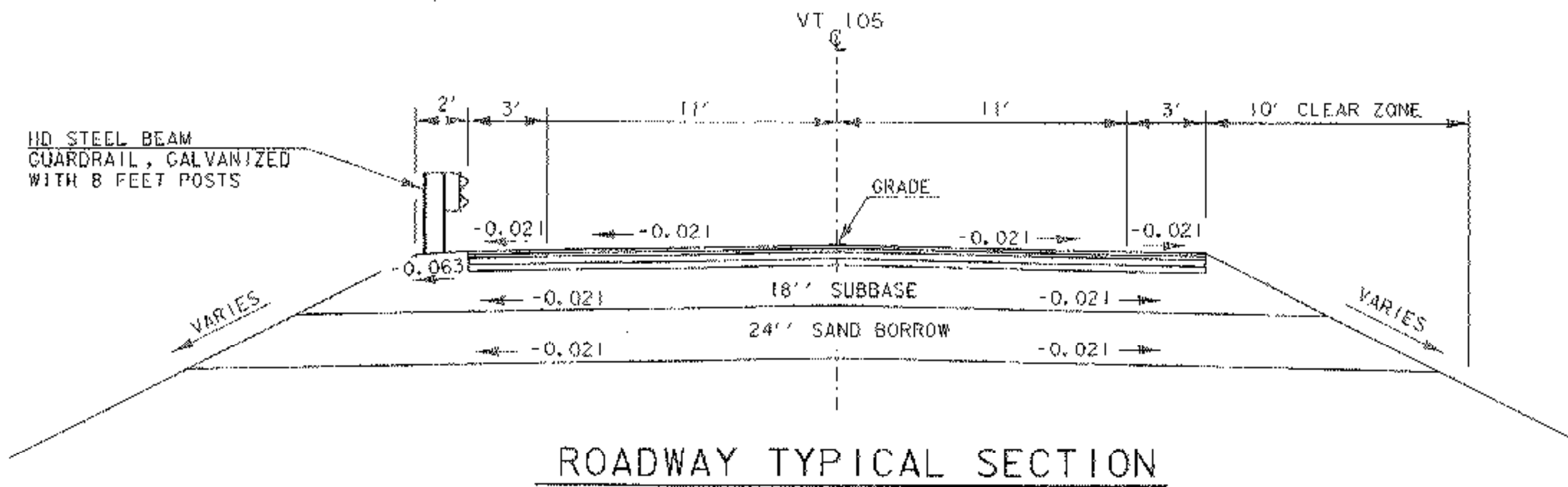
3" BITUMINOUS CONCRETE PAVEMENT, TYPE III (2 - 1 1/2" LIFTS) (PG 58-34)
 6" BITUMINOUS CONCRETE PAVEMENT, TYPE I OR II (2 - 3" LIFTS) (PG 58-34)
 18" SUBBASE OF DENSE GRADED CRUSHED STONE
 24" SAND BORROW

**SEEDING FORMULA
 RURAL AREAS**

% WT.	LBS./A.	NAME	PUR %	GERM %
37.5	22.5	CREeping RED FESCUE	98	85
37.5	22.5	TALL FESCUE	95	90
5.0	3.0	RED TOP	95	90
15.0	9.0	BIRDSFOOT TREFOL	98	85
5.0	3.0	ANNUAL RYEGRASS	95	85
100.0	60.0			

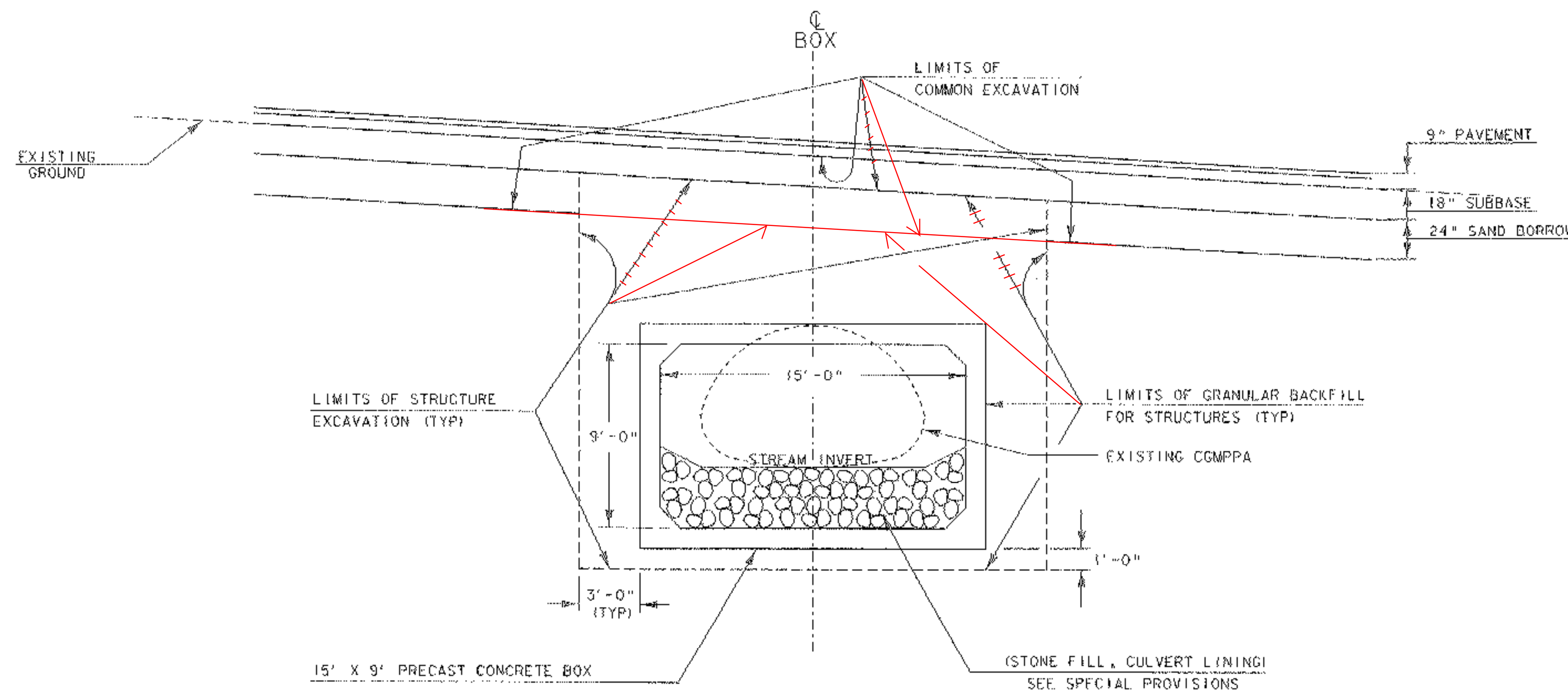
GENERAL NOTES

SEED MIXTURE: SHALL NOT HAVE A WEED CONTENT EXCEEDING 0.40% BY WEIGHT AND SHALL BE FREE OF ALL NOXIOUS SEED.
 SEED: TO BE APPLIED PER SEEDING FORMULAS OR AS DIRECTED BY THE ENGINEER.
 FERTILIZER: FORMULA 10-20-10, TO BE USED WITH SEED, APPLIED AT THE RATE OF 500 LBS./ACRE. (HYDRO SEEDERS MAY USE 19-19-19 FORMULA).
 AGRICULTURAL LIMESTONE: TO BE APPLIED AT THE RATE OF 2 TONS/ACRE, OR AS DIRECTED BY THE ENGINEER.
 HAY MULCH: TO BE PLACED ON EARTH SLOPES AT THE RATE OF 2 TONS/ACRE, OR AS DIRECTED BY THE ENGINEER.



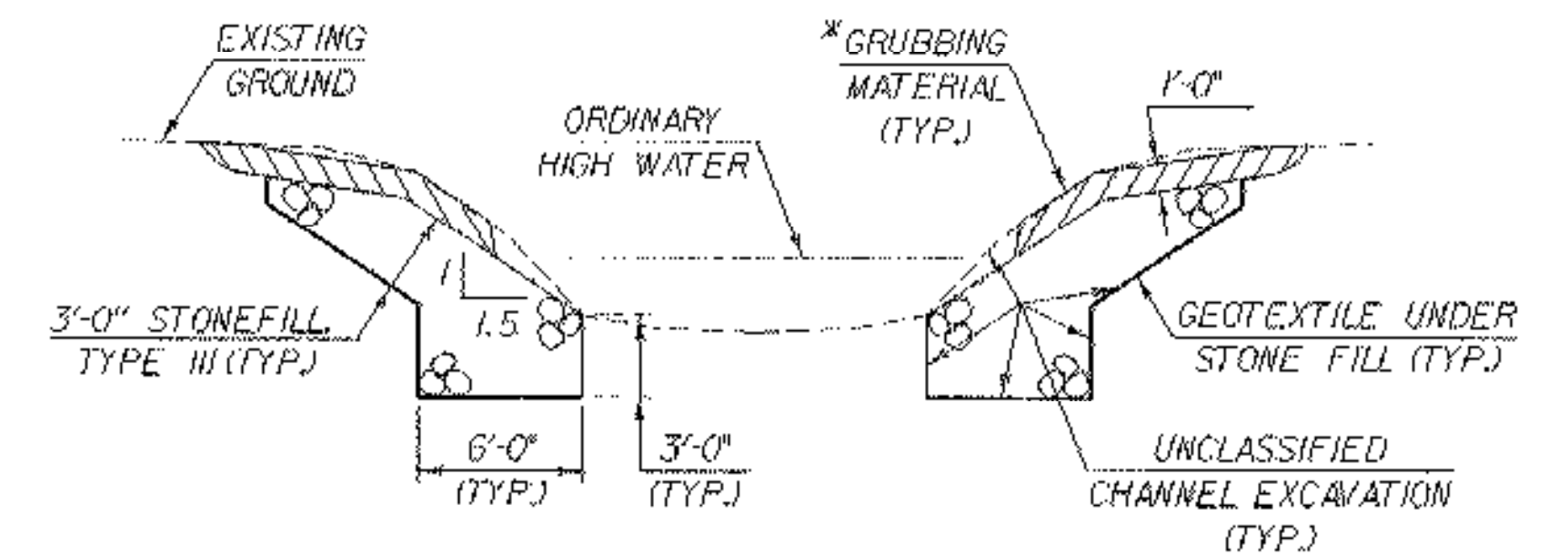
ROADWAY TYPICAL SECTION

NOT TO SCALE



TYPICAL BOX SECTION

NOT TO SCALE



TYPICAL CHANNEL SECTION

(NOT TO SCALE)

* GRUBBING MATERIAL SHALL NOT BE PLACED ON THE STONE FILL IN THE BOX.
 WHENEVER CHANNEL SLOPE INTERSECTS ROADWAY SUBBASE, GRUBBING MATERIAL SHALL BEGIN AT THE BOTTOM OF SUBBASE.

TYPICAL SECTIONS

PROJECT NAME:	JAY
PROJECT NUMBER:	ST STP CULV (2)
FILE NAME:	04b140\04b140typ.dgn
PROJECT LEADER:	W. SYMONDS
DESIGNED BY:	T. FILLBACH
	04b140typ.i
PLOT DATE:	23-OCT-2006
DRAWN BY:	G. SHANDRAW
CHECKED BY:	T. SUMNER
	SHEET 3 OF 39