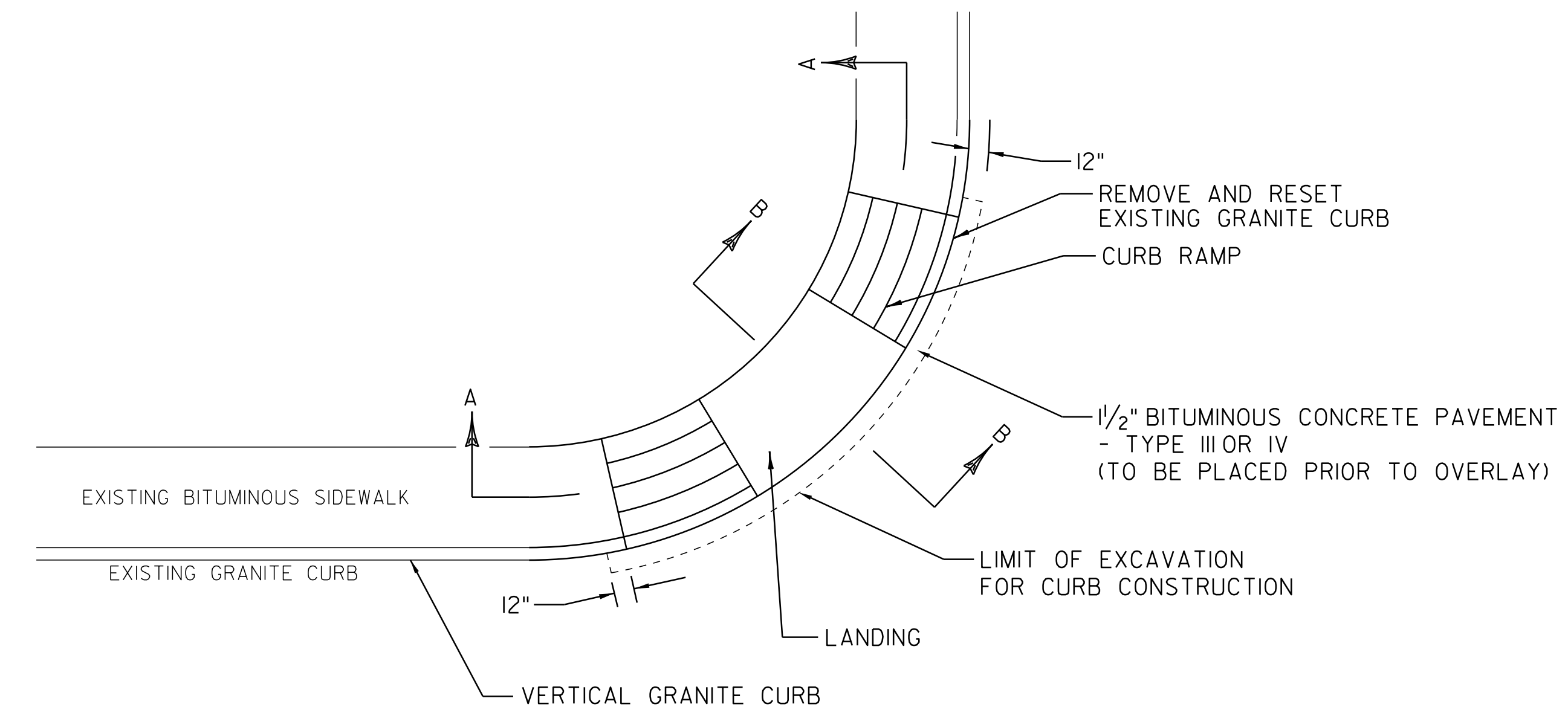
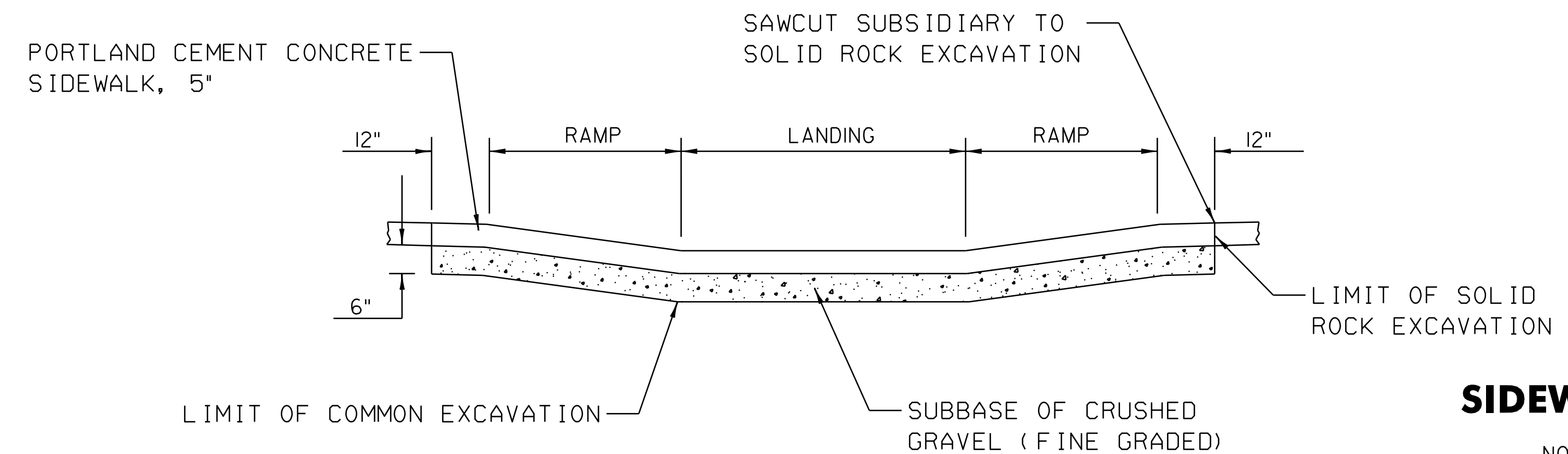


BLOCK PATTERN CROSSWALK DETAIL



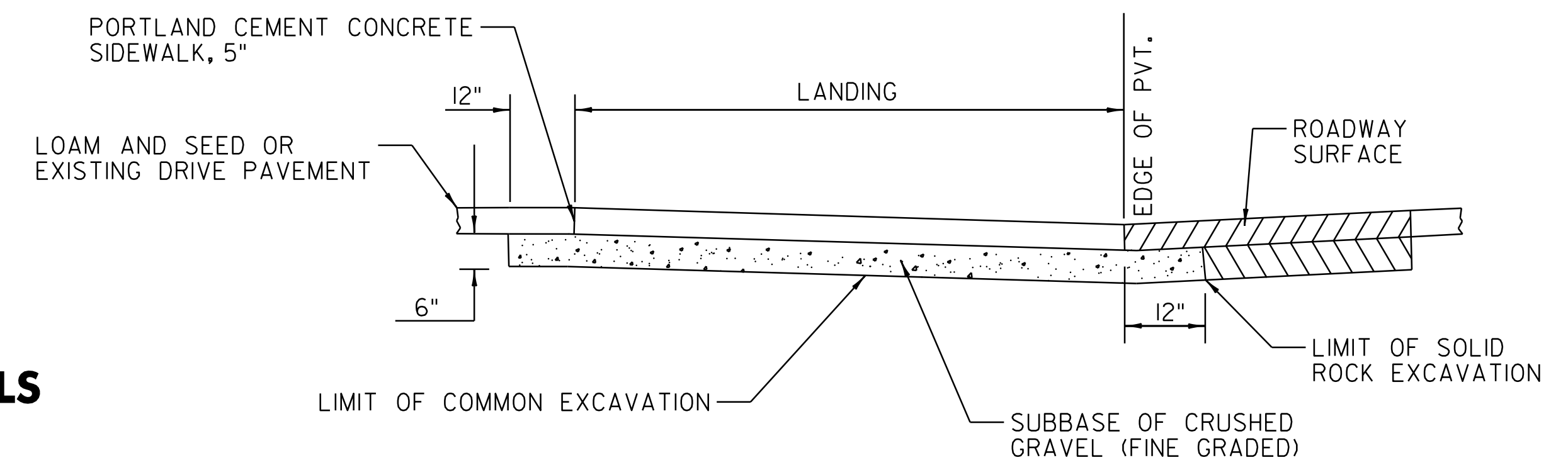
PLAN

NOT TO SCALE



SECTION A-A

NOT TO SCALE

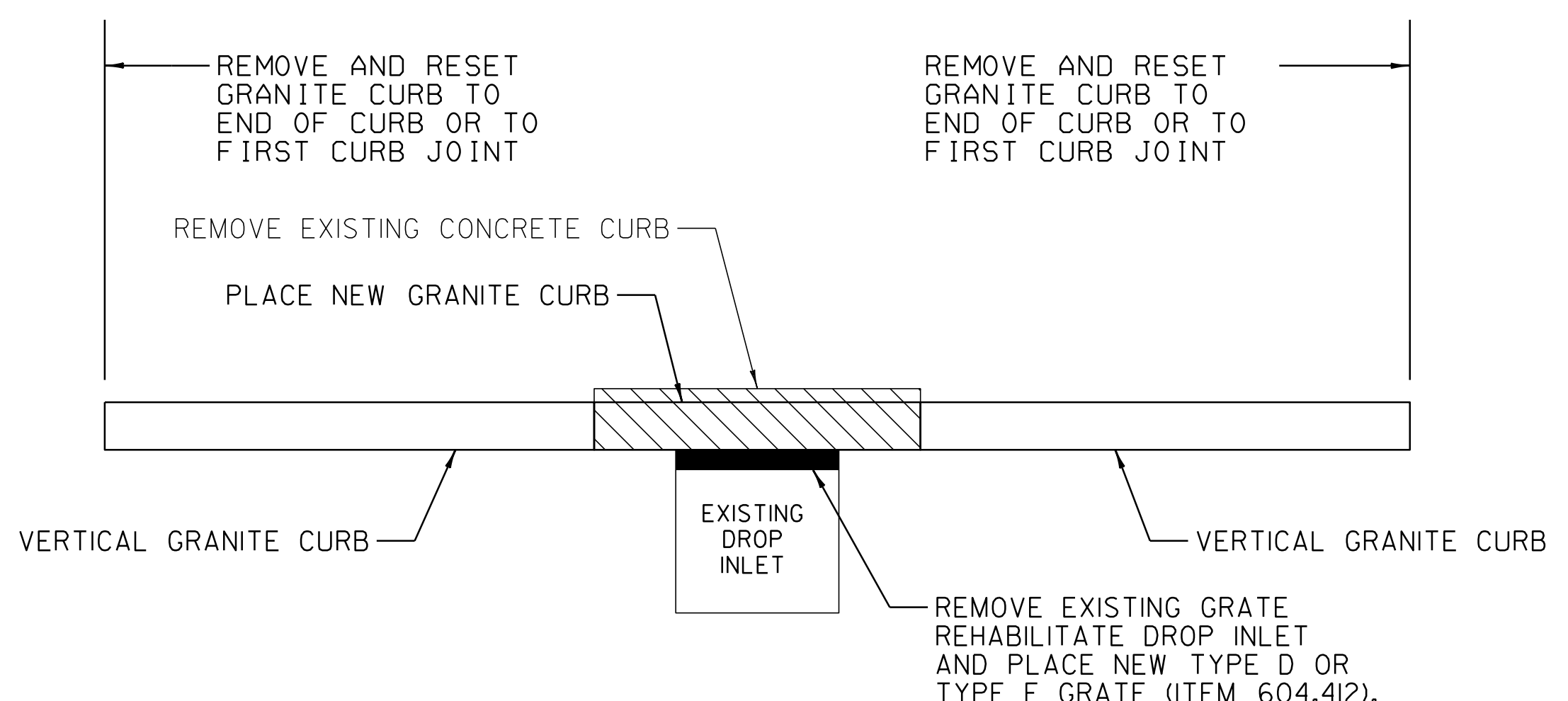


SECTION B-B

NOT TO SCALE

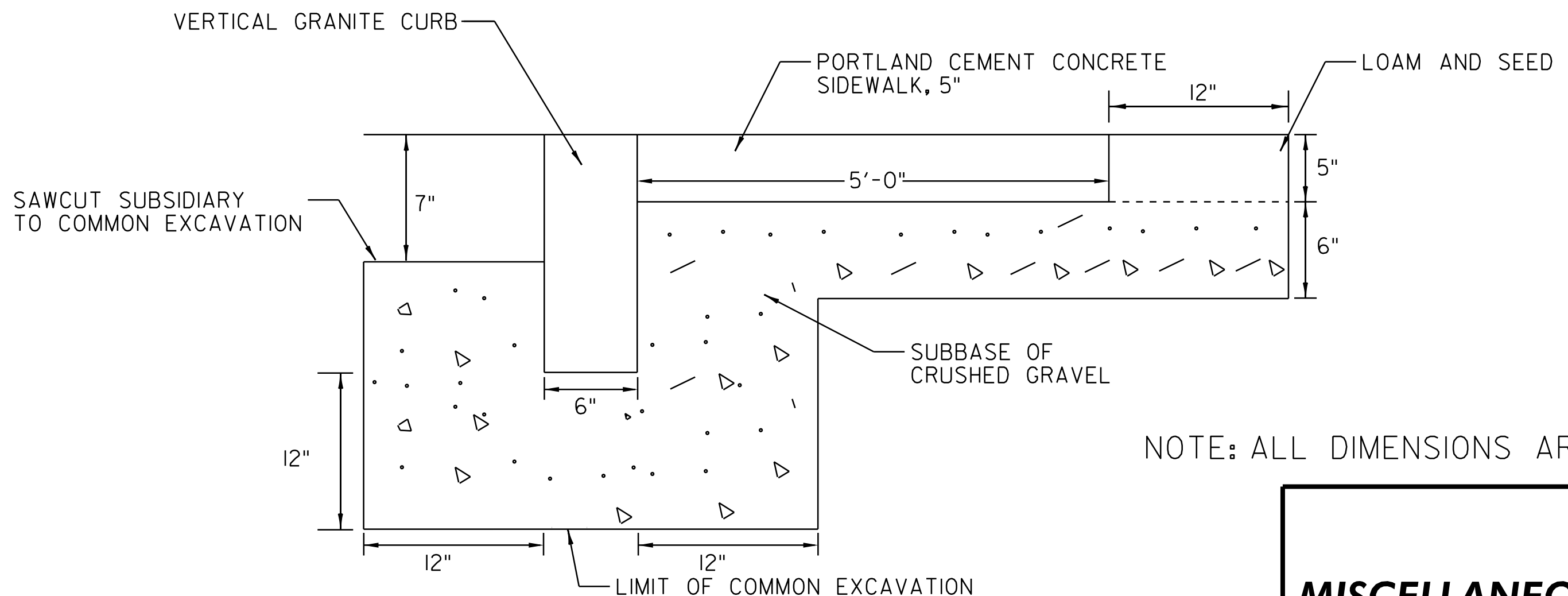
SIDEWALK RAMP PAY LIMIT DETAILS

NOTE: THIS DETAIL IS FOR PAY LIMITS ONLY. FOR INDIVIDUAL RAMP CONFIGURATIONS, SLOPES, DIMENSIONS, ETC., SEE VAOT STANDARDS C-3A/C-3B.



CONCRETE CURB REMOVAL CONSTRUCTION DETAIL

NOT TO SCALE



SIDEWALK AND CURB CONSTRUCTION DETAIL

NOTE: ALL DIMENSIONS ARE INCHES EXCEPT AS INDICATED

DATUM
VERTICAL _____
HORIZONTAL _____

MISCELLANEOUS DETAILS SHEET

SURVEYED BY	CLD	DATE	12/05
DRAWN BY	SRB	DATE	5/05
SQUAD LEADER	CRB		
DESIGN FILE NO.	/pave/04b038/pb038.dgn		
IPARM FILE	pb038dt03.i	DATE PLOTTED	JUN-2012 08
PROJ. NAME	SPRINGFIELD		
PROJ. NO.	STP 2405(1)S		
SHEET	41	OF	42 SHEETS