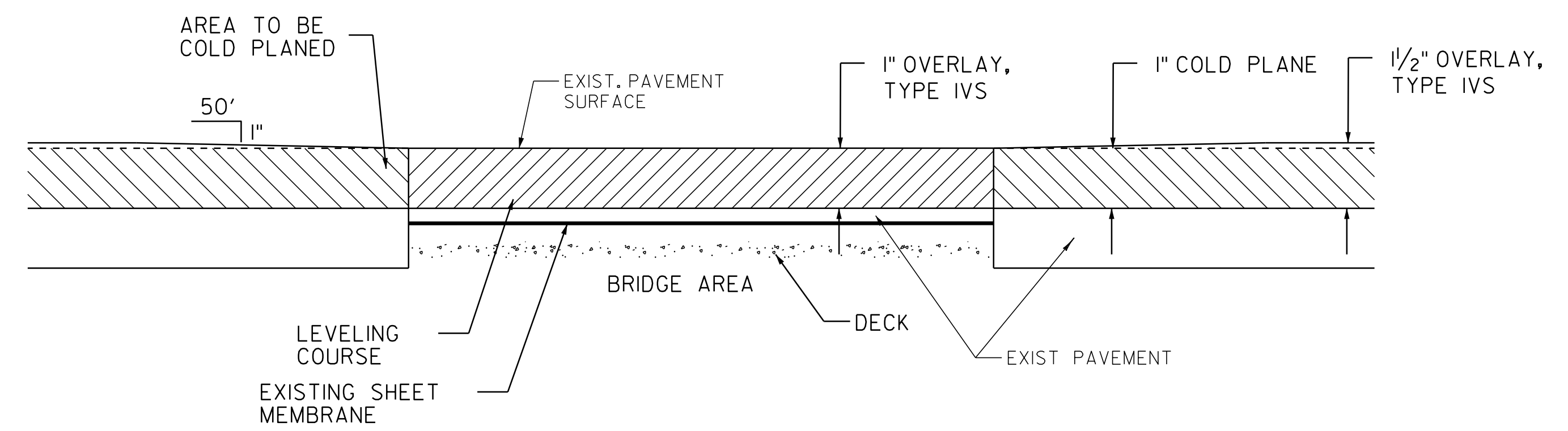


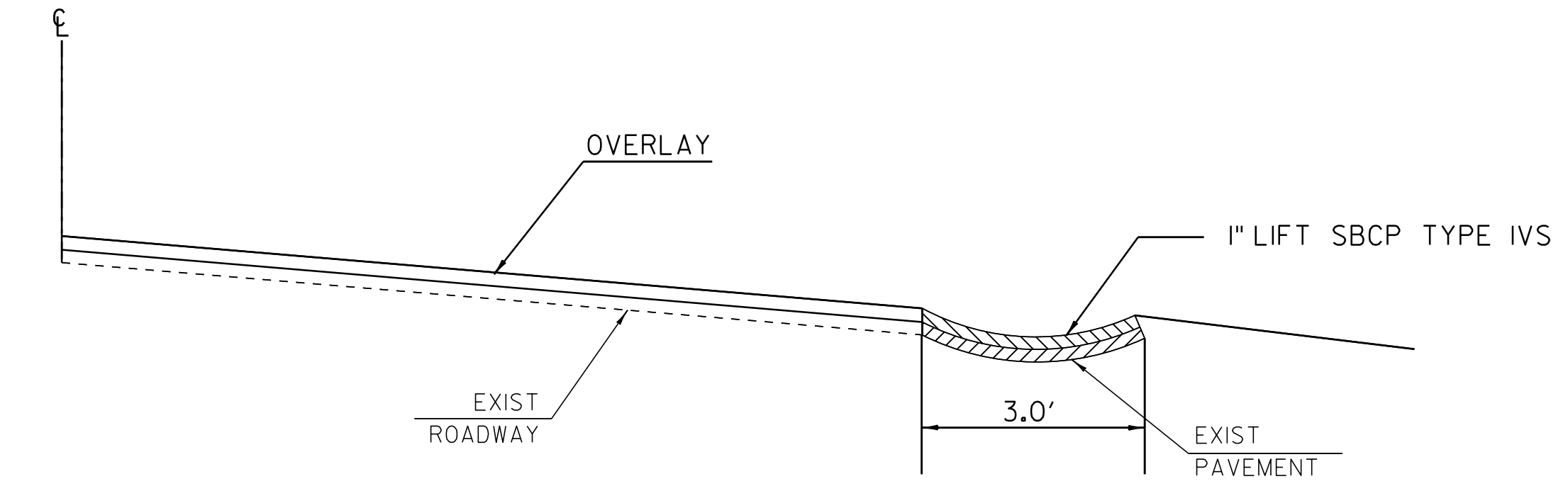
APPROACH AREA DETAIL
LEVELING COURSE LOCATION

VT RTE 106
STA 3+06.24, SPRINGFIELD - BEGIN COLD PLANING
STA 176+75.00, SPRINGFIELD - END COLD PLANING

- TOWN HIGHWAYS:
TH #774
TH #772
TH #758
TH #9
TH #752
TH #6
TH #740 RT
TH #740 LT
TH #738 LT
TH #738 RT
TH #724 RT
TH #724 LT
VT 10



**TRANSITION AREA DETAIL
BRIDGE #3**



BITUMINOUS CONCRETE GUTTER DETAIL

•SEE LAYOUT SHEET 16 & 20 FOR LOCATIONS

DATUM	
VERTICAL	N/A
HORIZONTAL	N/A

PROJECT TYPICAL SHEET 2	SURVEYED BY	CLD	DATE	12/05
	DRAWN BY	SRB	DATE	5/05
	SQUAD LEADER	CRB		
	DESIGN FILE NO.	/pave/04b038/pb038.dgn		
IPARM FILE	pb038ty02.i	DATE PLOTTED	JUN-2012 08	
PROJ. NAME	SPRINGFIELD			
PROJ. NO.	STP 2405(1)S			
SHEET	4	OF	42	SHEETS