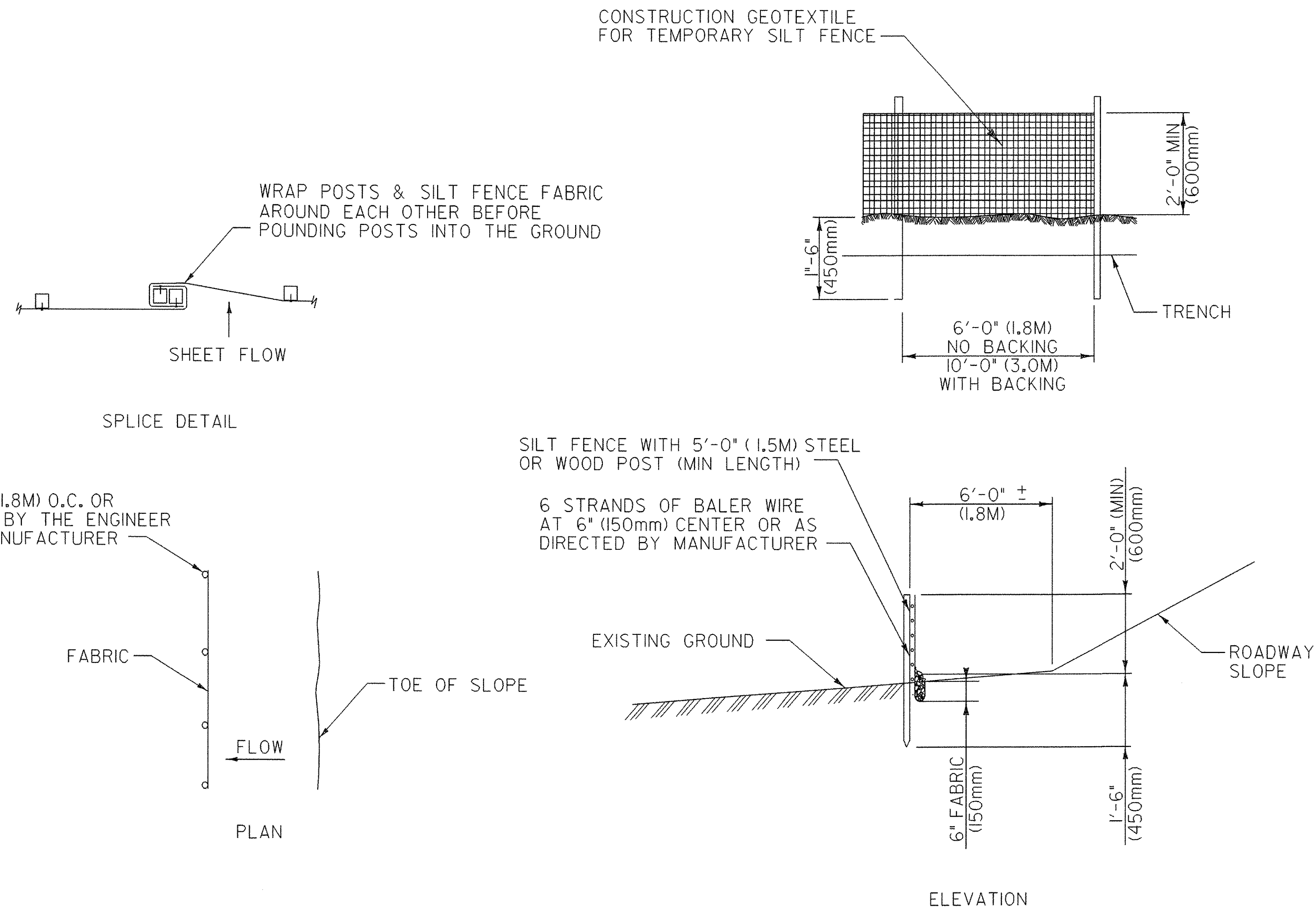


# MISC. TYPICAL SHEET



## SILT FENCE DETAIL

**NOTES:**

608.25 ALL PURPOSE EXCAVATOR  
 KNOWN AREAS THROUGHOUT THE PROJECT WITH  
 COMPACTED SOILS WILL NEED TO BE SCARIFIED  
 AND LOOSENED FOR LARGER TREE PLANTINGS AT  
 DISCRETION OF ENGINEER; TO BE PAID FOR UNDER  
ALL PURPOSE EXCAVATOR RENTAL TYPE 1.

649.51 GEO-TEXTILE FOR SILT FENCE  
 QUANTITY OF SILT FENCE HAS BEEN ESTIMATED  
 THROUGHOUT THE PROJECT TO BE USED AT THE  
 DISCRETION OF ENGINEER; TO BE PAID FOR UNDER  
GEO-TEXTILE FOR SILT FENCE.

**NOTES:**

1. FILTER TO BE BURIED APPROXIMATELY 6" (150mm) INTO THE GROUND
2. FABRIC TO BE ATTACHED TO WIRE ON SLOPE SIDE
3. CONTRACTOR WILL FURNISH COMMERCIALY AVAILABLE SILT FENCE THAT MEETS VAOT STANDARD SPECIFICATIONS FOR CONSTRUCTION

FOR REFERENCE ONLY

SHEET NAME:	MISCELLANEOUS TYPICAL SHEET
PROJECT NAME:	SEARSBURG-WILMINGTON
PROJECT NUMBER:	NHF 010-1(18) C-1
PROJECT LEADER: J. BROWN	DRAWN BY: SOUAD B
DESIGNED BY: J. BROWN	CHECKED BY: SOAUD B
FILE NAME: 78d096/design/dd096typ.dgn	PLOT DATE: 21-JAN-2004
IPARM FILE NAME: landtyp05.i	SHEET 4B OF 30

**NOT TO SCALE**