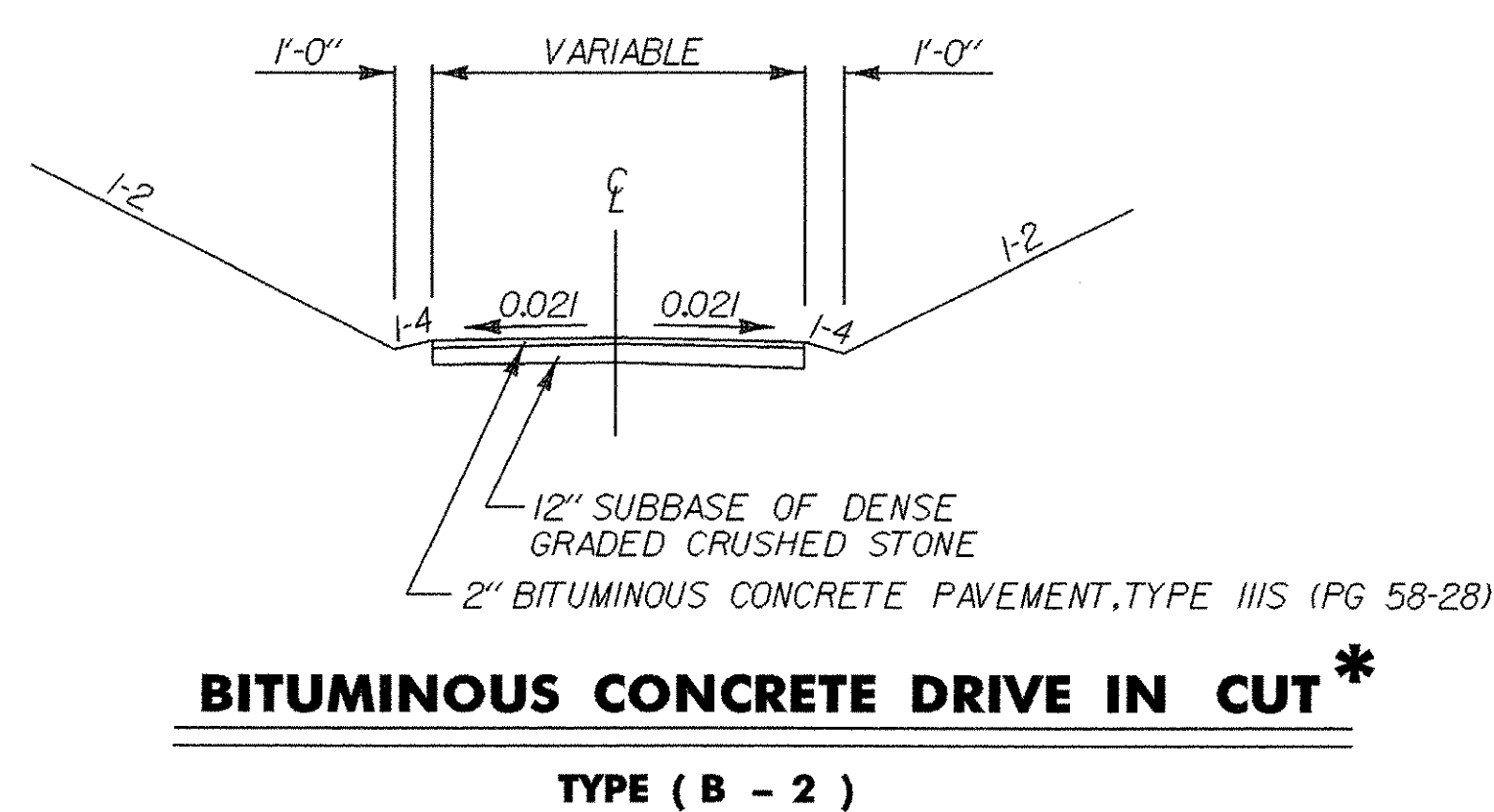
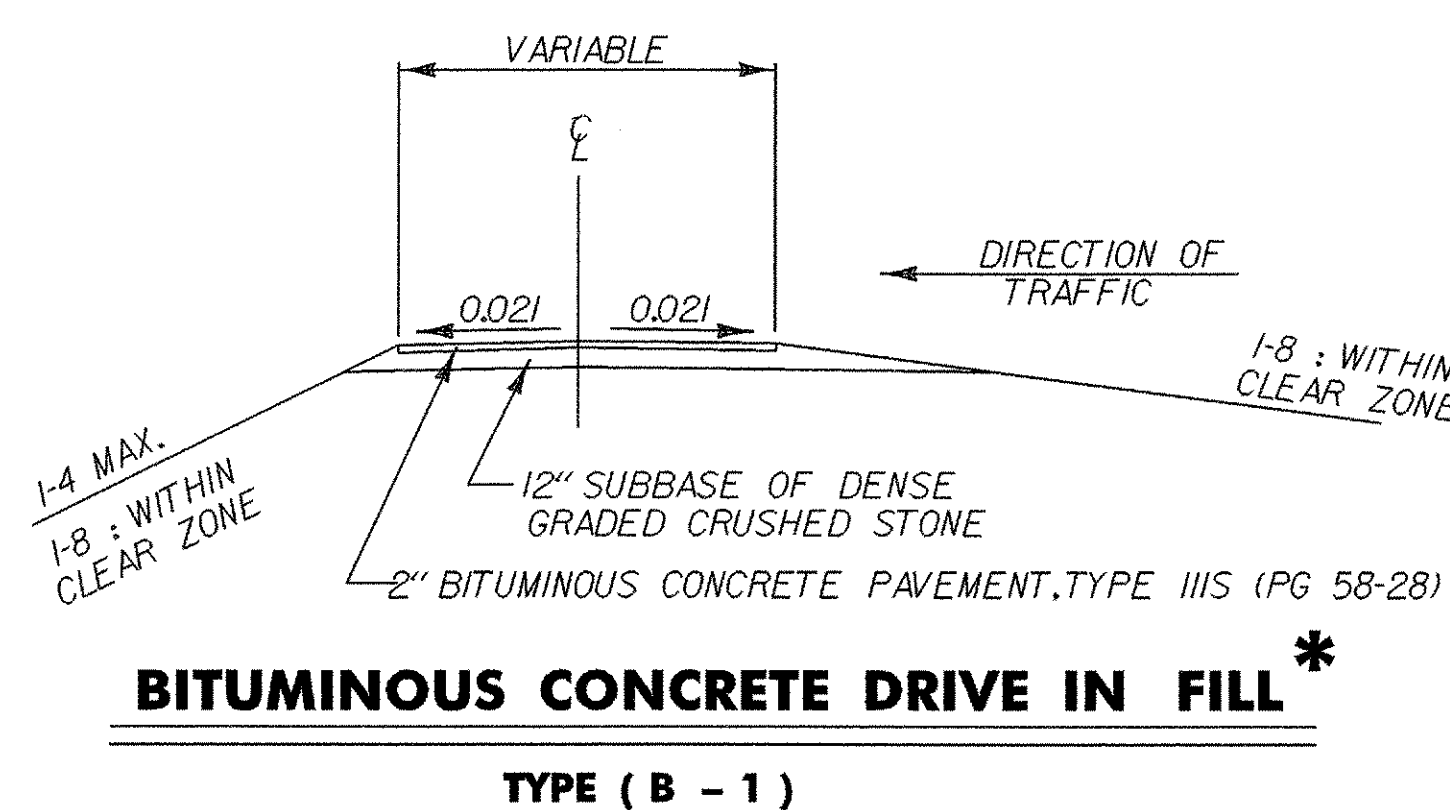
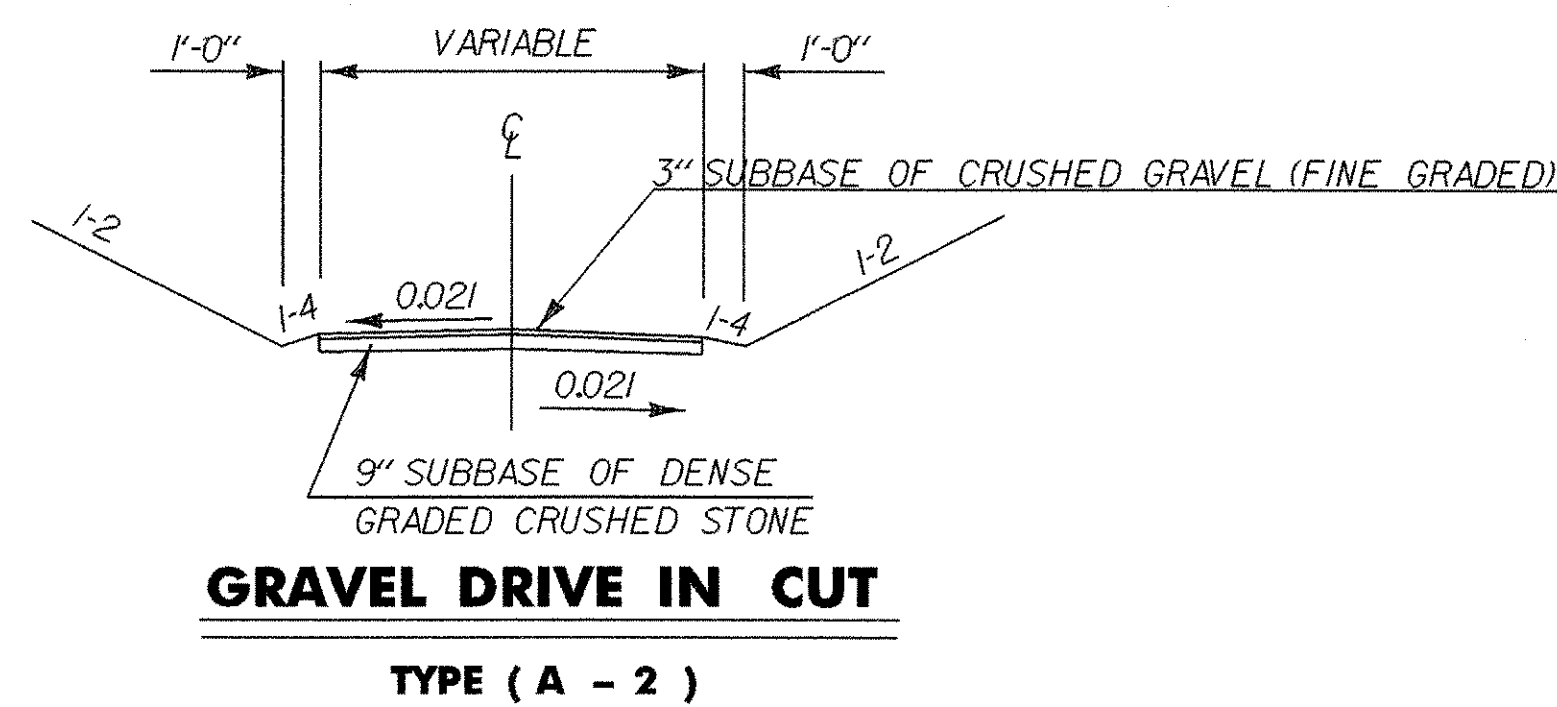
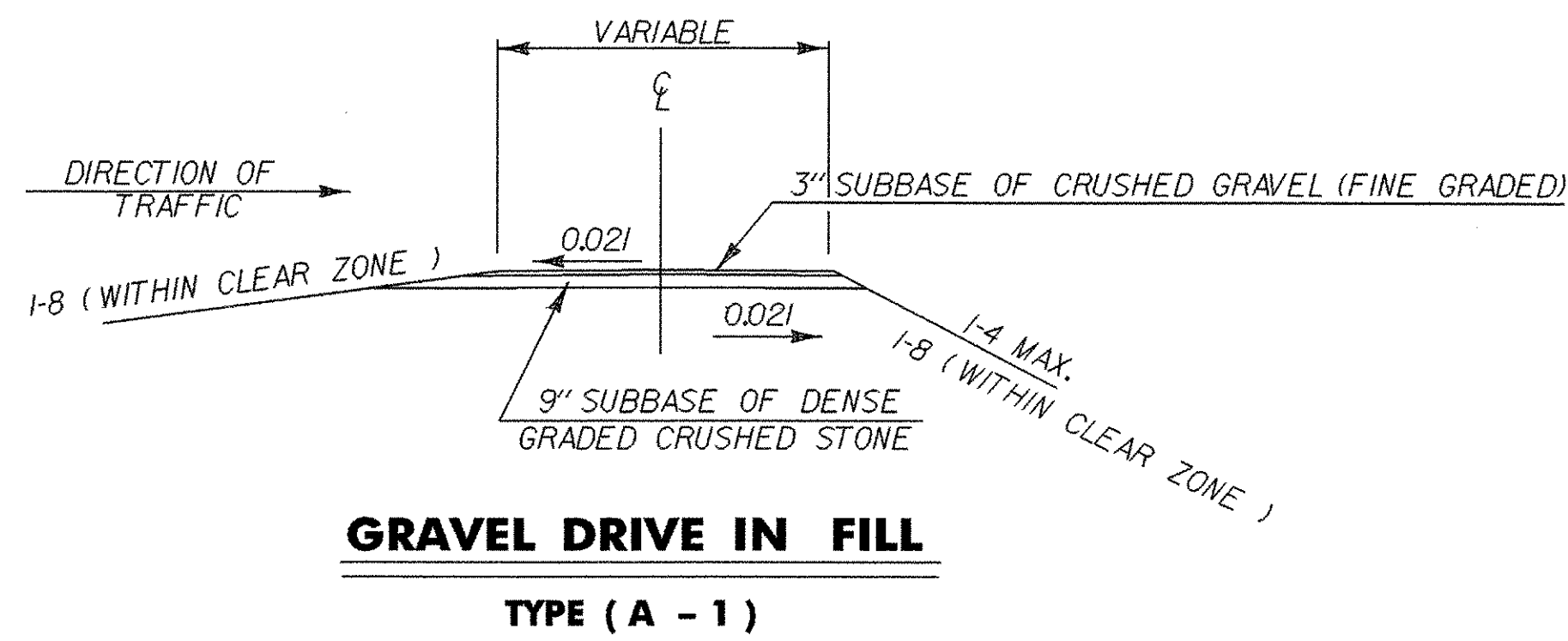
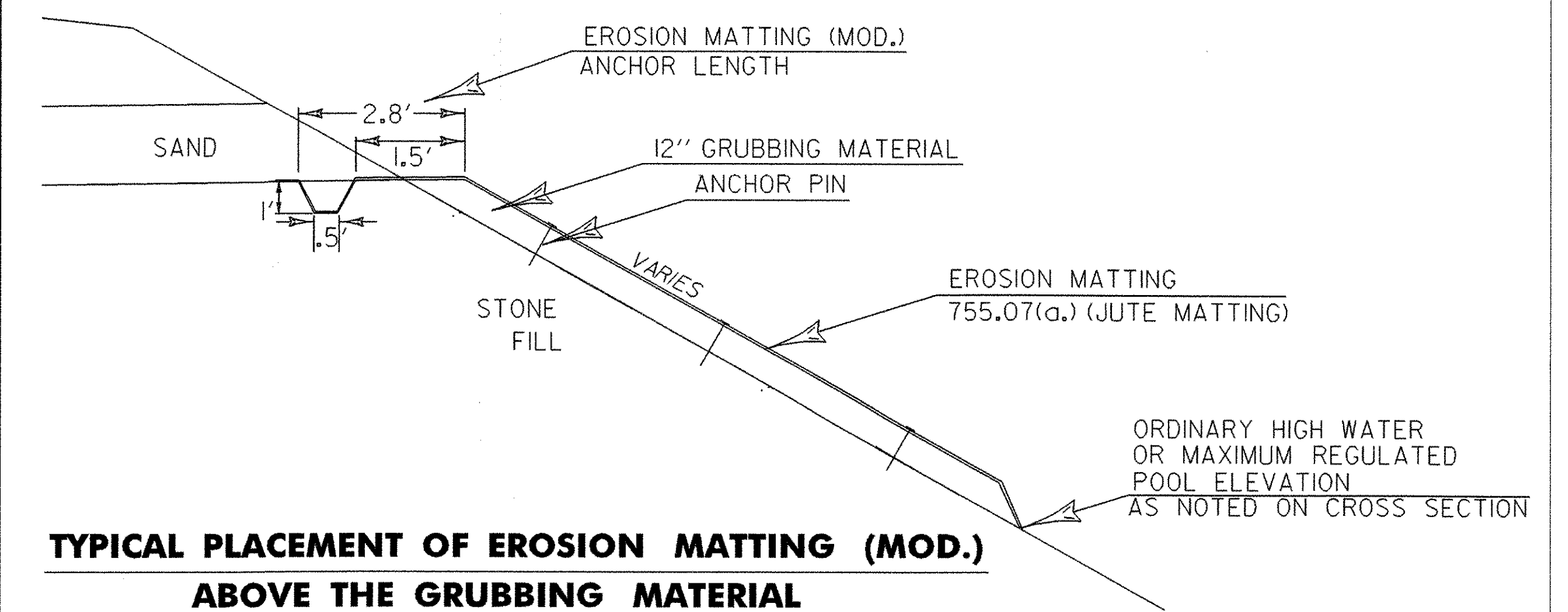
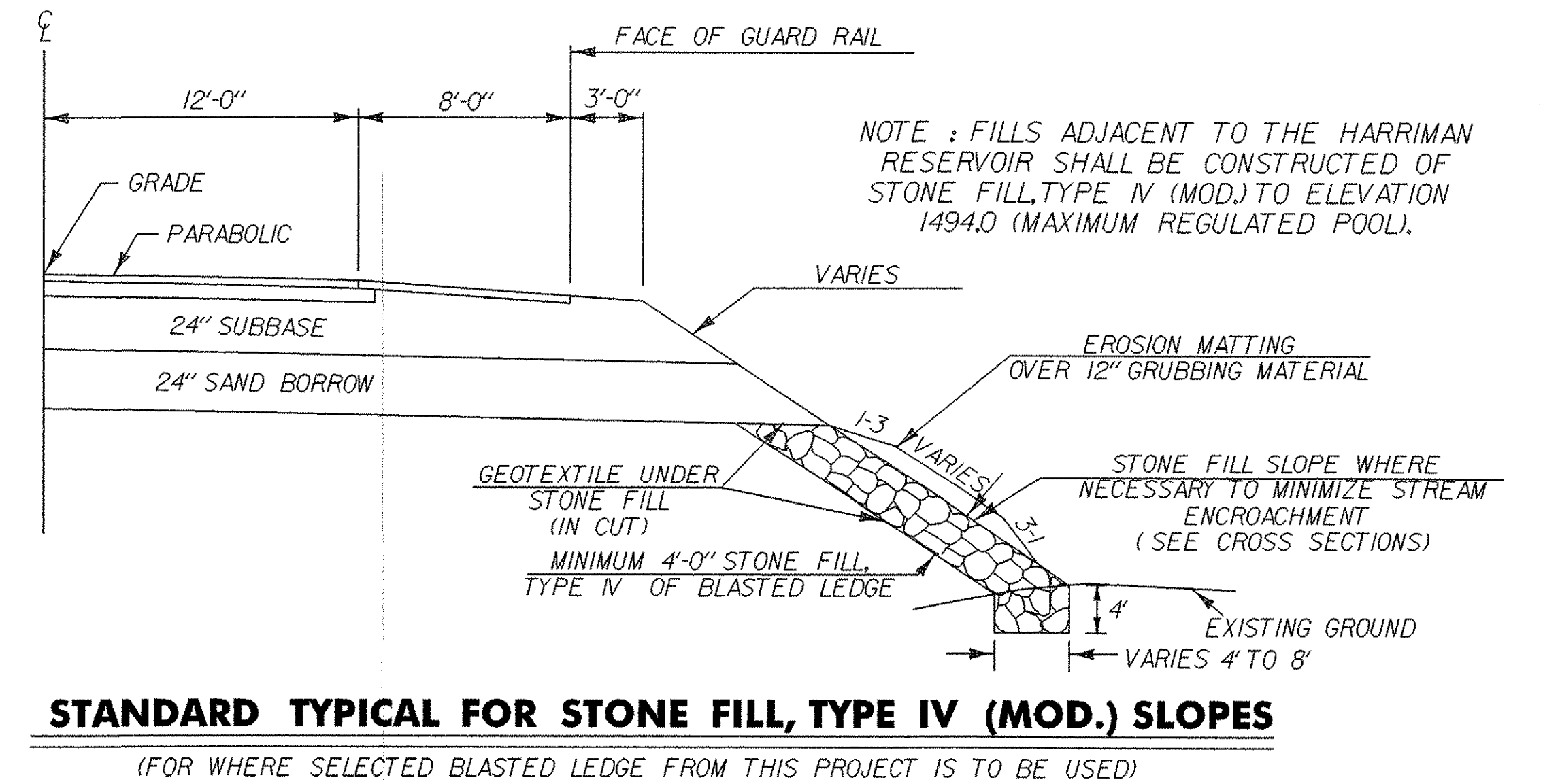
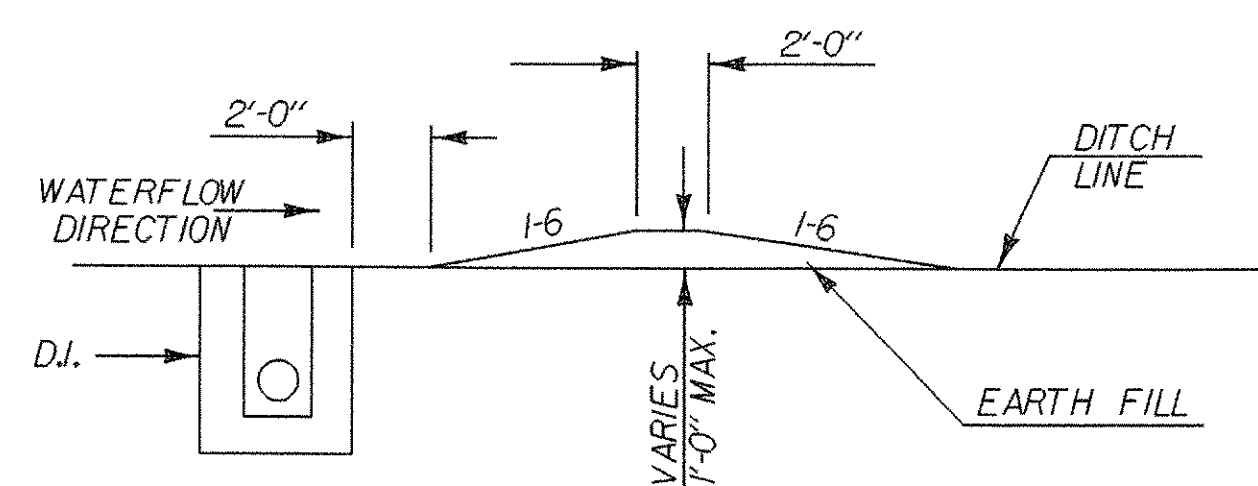
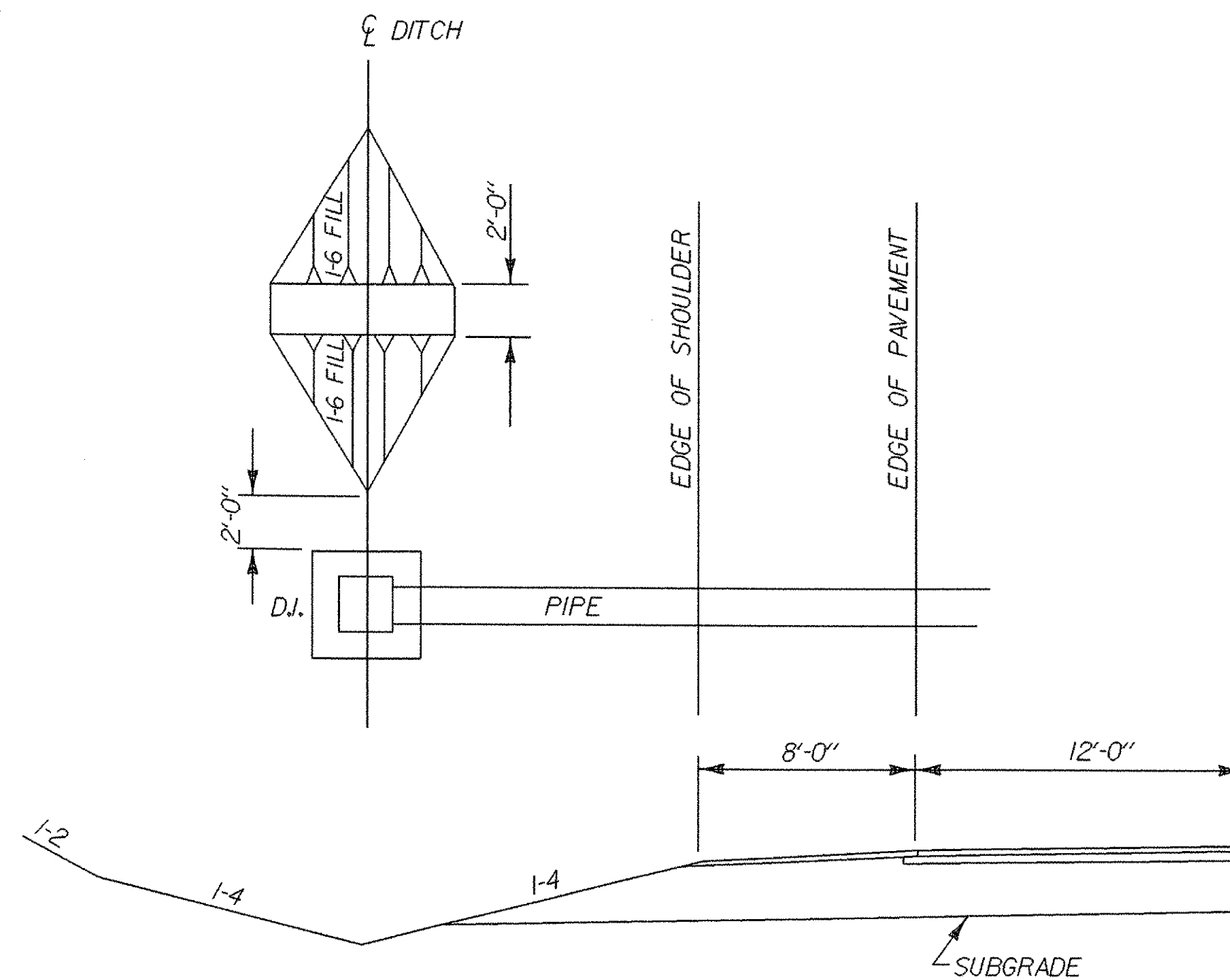
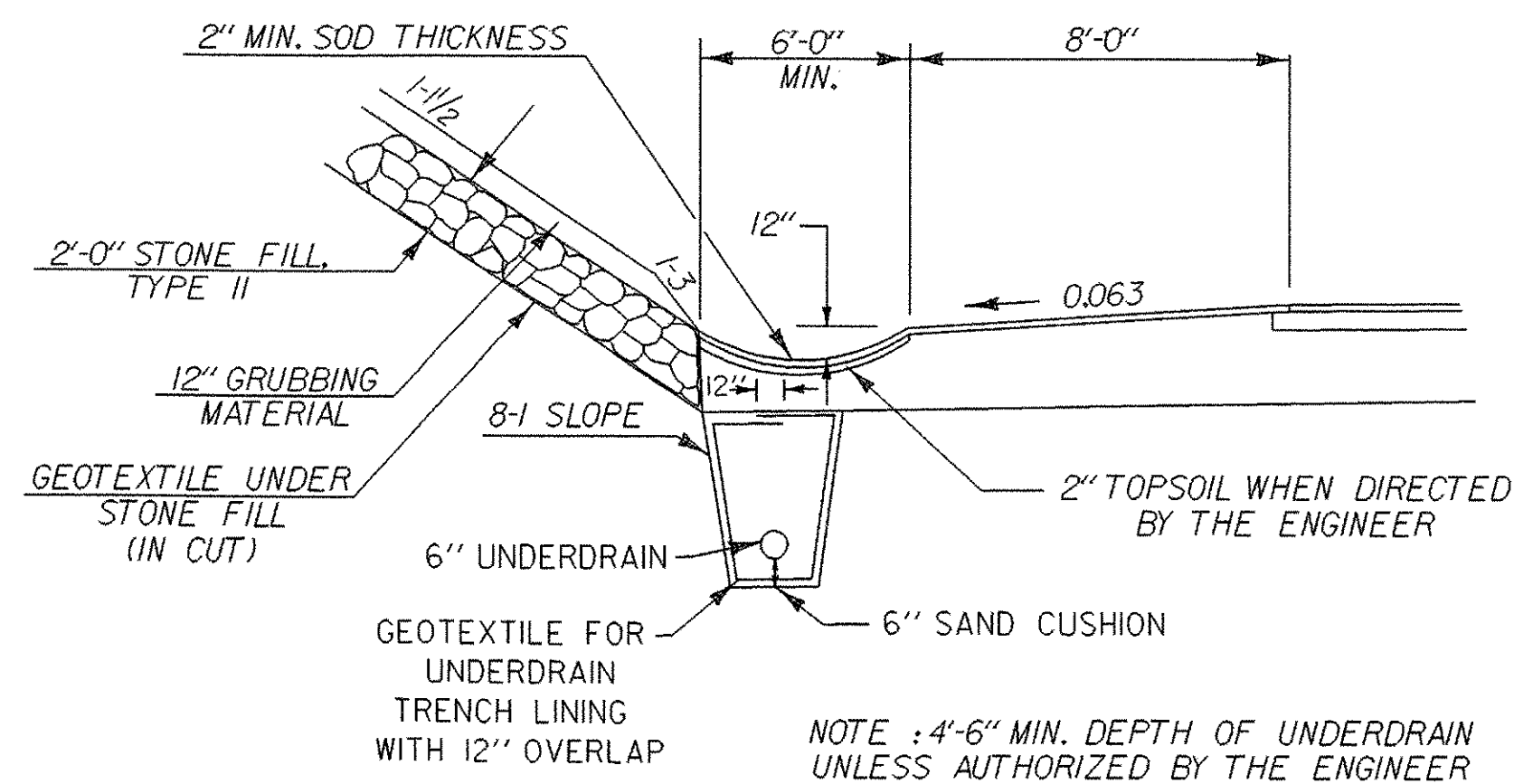


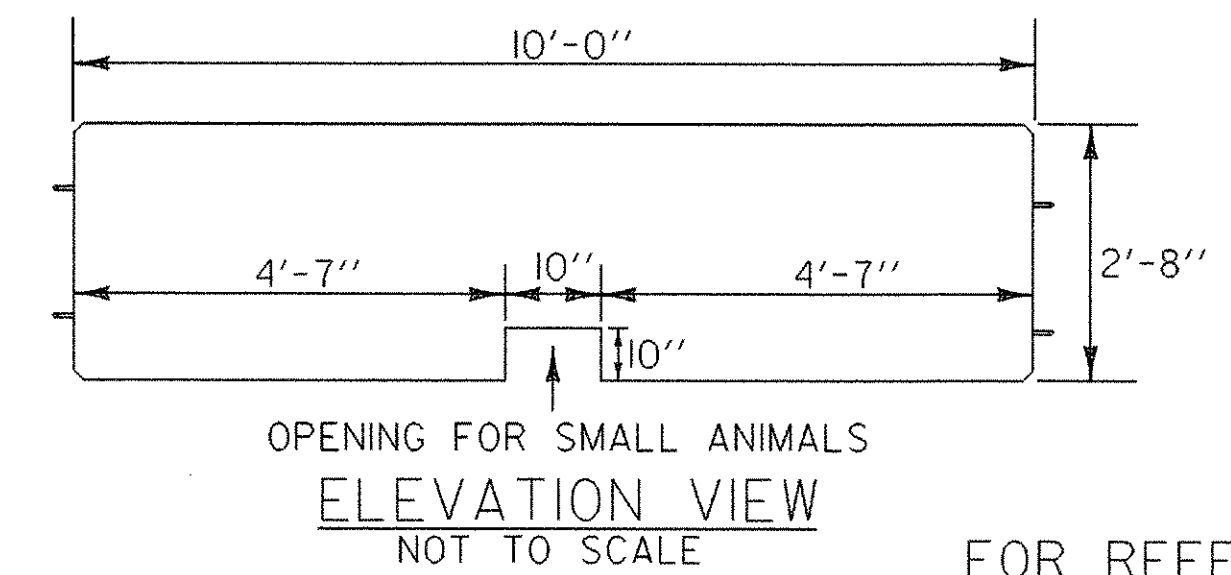
MISC. TYPICAL SHEET



* ALSO TYPICAL FOR CUL-DE-SAC



WHERE TEMPORARY TRAFFIC BARRIER IS REQUIRED EVERY 10TH SECTION WILL BE THIS MODIFIED TUNNEL PASSAGEWAY FOR SMALL ANIMALS



SHEET NAME: MISCELLANEOUS TYPICAL SHEET	
PROJECT NAME: SEARSBURG-WILMINGTON	
PROJECT NUMBER: NHF 010-1(18) C-1	
PROJECT LEADER: J. BROWN	DRAWN BY: SQUAD B
DESIGNED BY: J. BROWN	CHECKED BY: SOAUD B
FILE NAME: 78d096/design/dd096+yp.dgn	PLOT DATE: 21-JAN-2004
IPARM FILE NAME: landtyp04.i	SHEET 4A OF 30

NOT TO SCALE