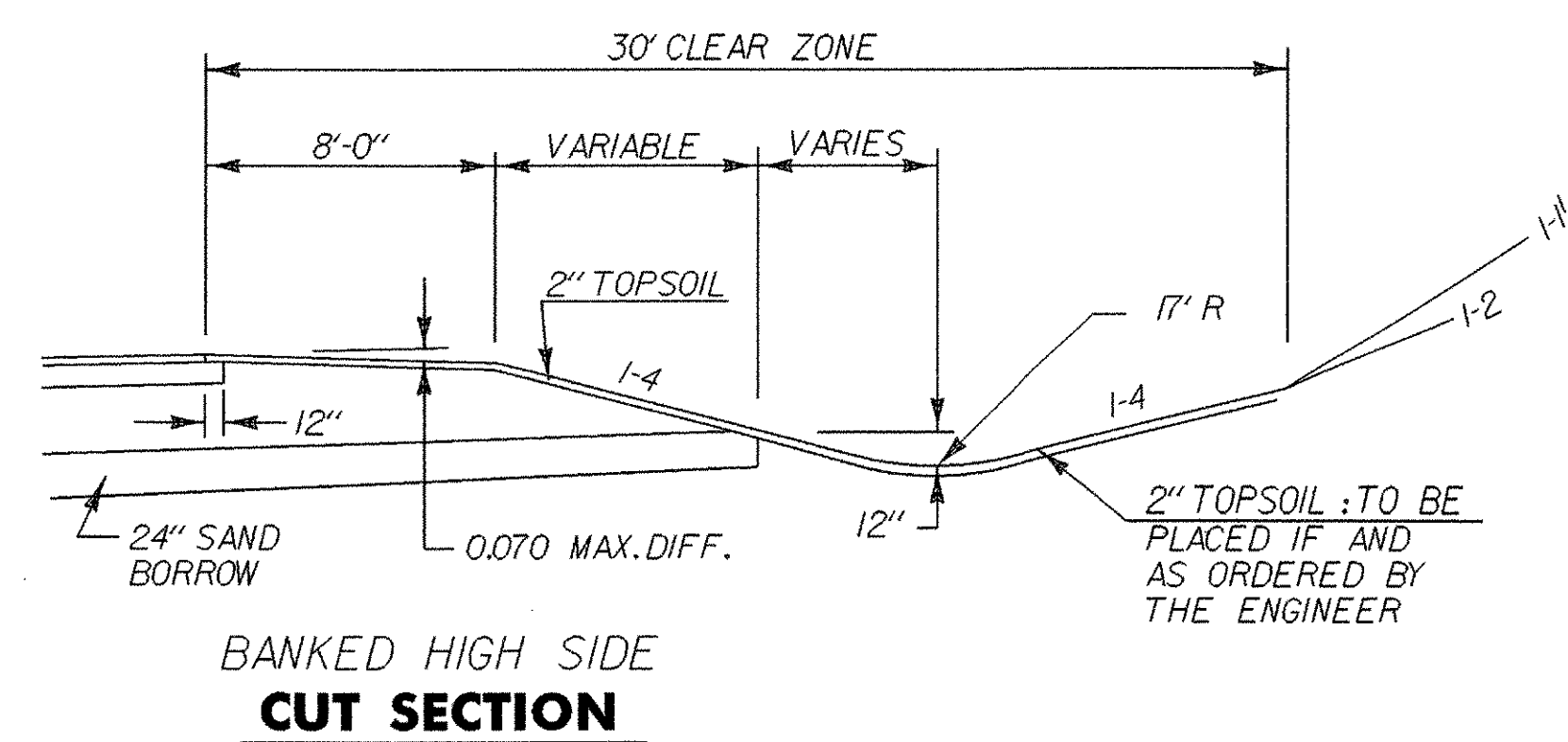
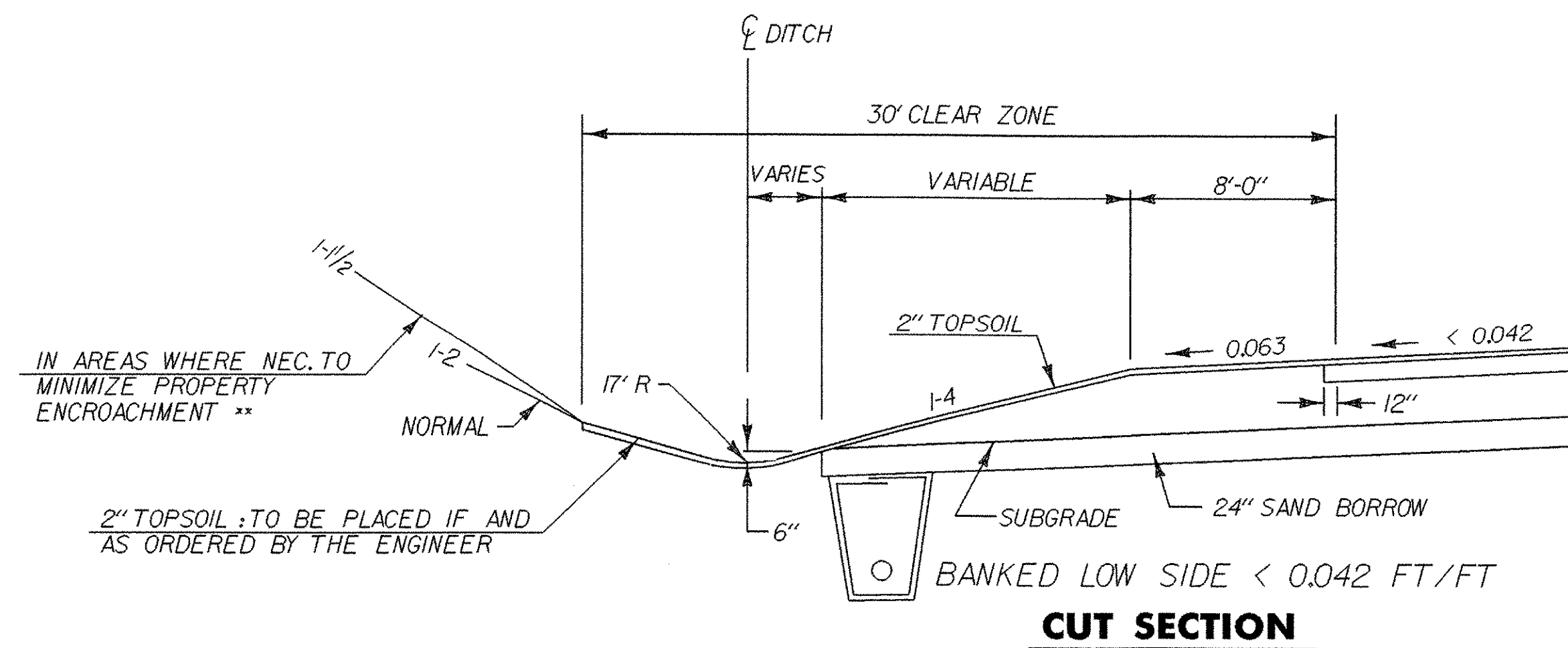
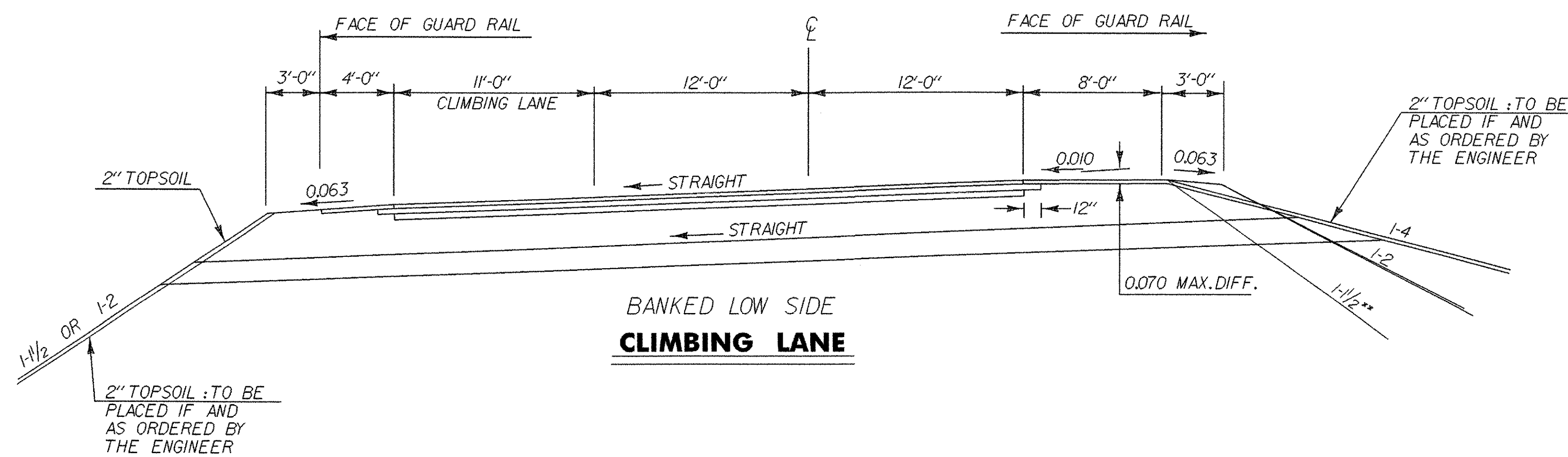
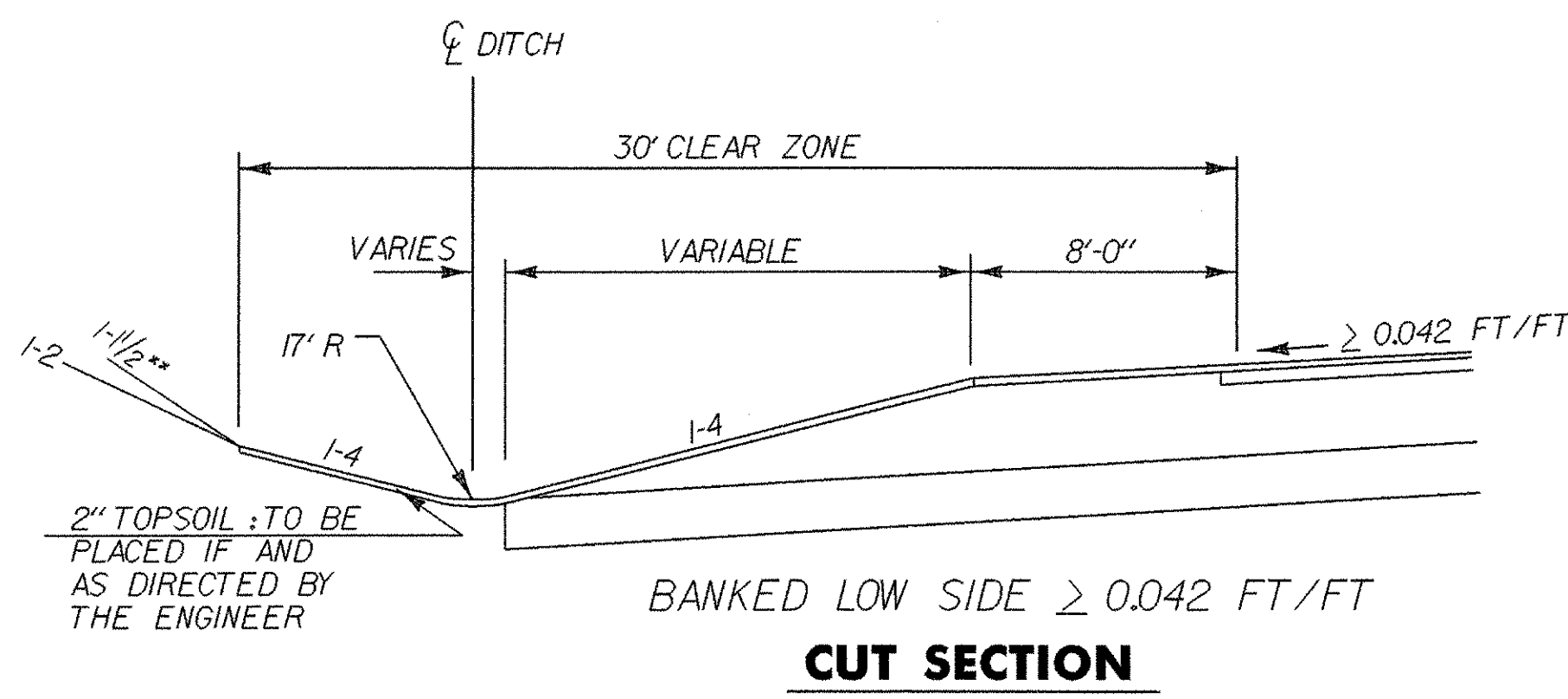
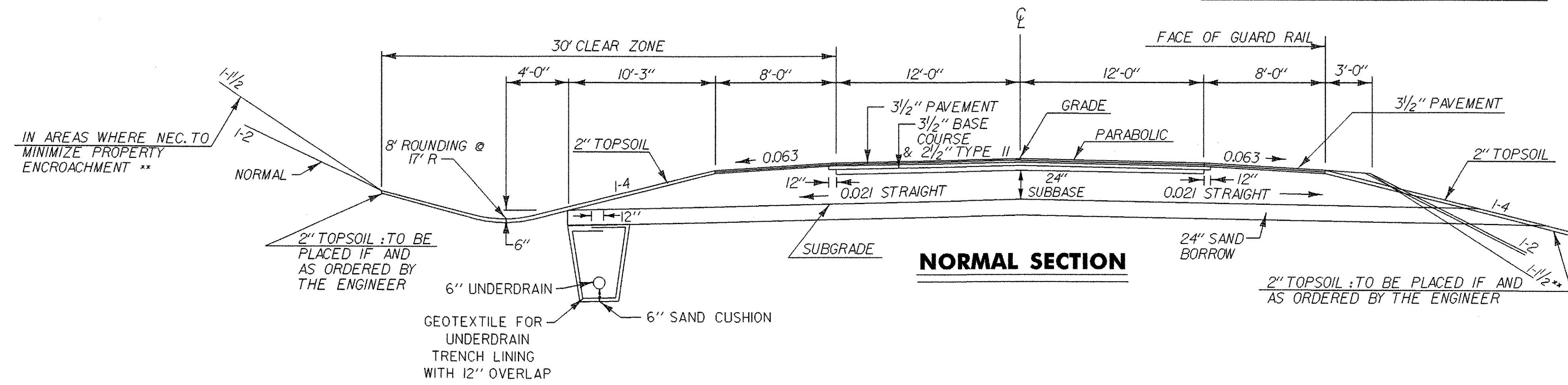
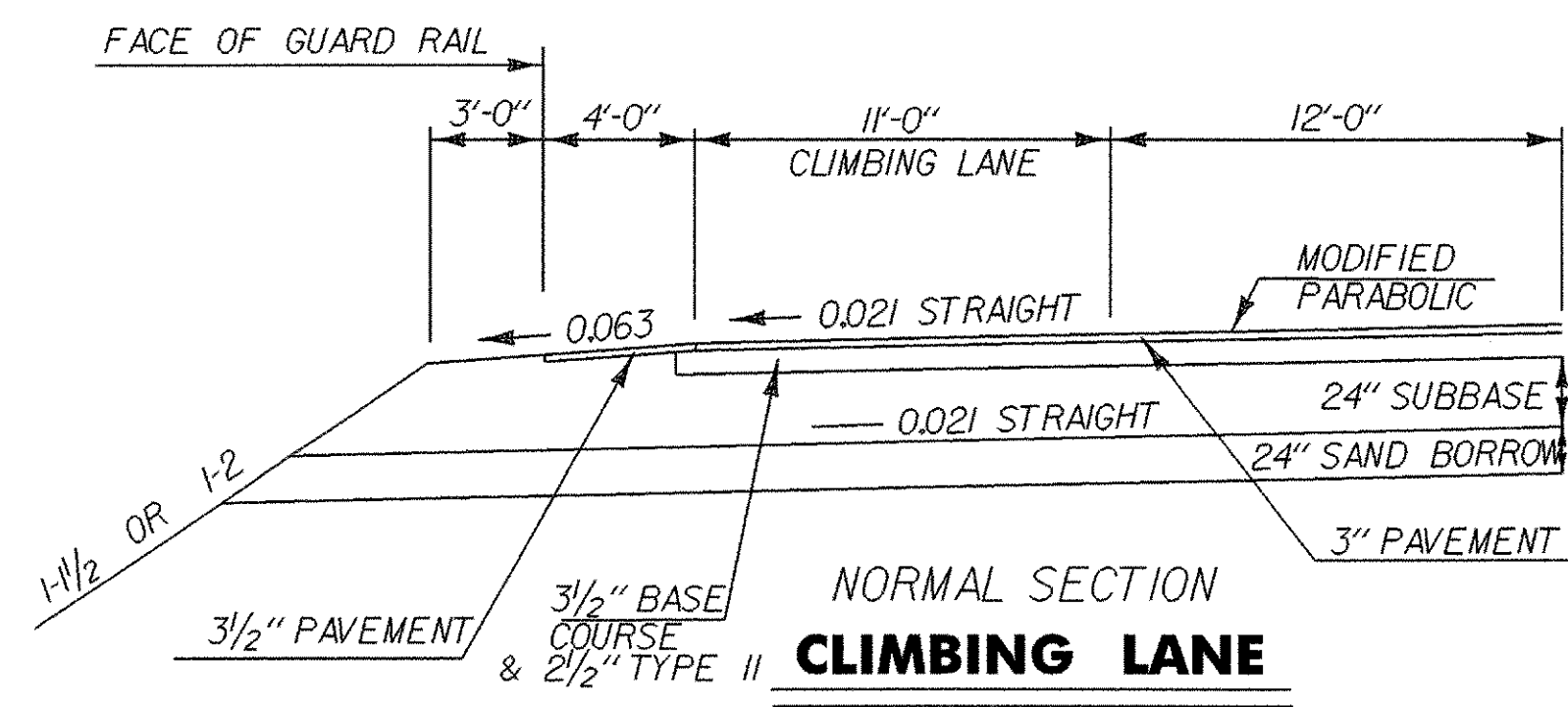


VT. ROUTE 9 TYPICAL SECTIONS

6" BITUMINOUS CONCRETE PAVEMENT (TWO 1 3/4" LIFTS TYPE III OVER 2 1/2" TYPE II)
 3 1/2" BASE COURSE OF BITUMINOUS CONCRETE PAVEMENT (3 1/2" LIFT, TYPE I)
 24" SUBBASE OF DENSE GRADED CRUSHED STONE
 24" SAND BORROW (ONLY 3" REQUIRED IN LEDGE CUT)
 SHOULDERS : 3 1/2" BITUMINOUS CONCRETE PAVEMENT

MATERIAL ITEM	THICKNESS TOLERANCE
PAVEMENT	± 1/4"
SUBBASE	± 1"
SAND BORROW	± 1"



** FOR LIMITS OF STONE FILL AND/OR ROCK EMBANKMENTS SEE CROSS SECTIONS

DATUM	
VERTICAL	NGVD 1929
HORIZONTAL	N/A

FOR REFERENCE ONLY	
SHEET NAME:	VT.RT. 9 TYPICAL SECTIONS
PROJECT NAME:	SEARSBURG-WILMINGTON
PROJECT NUMBER:	NHF 010-(118) C-1
PROJECT LEADER:	J. BROWN
DESIGNED BY:	J. BROWN
FILE NAME:	78d096/design/landtyp01
IPARM FILE NAME:	landtyp01i
DRAWN BY:	SQUAD B
CHECKED BY:	SOAUD B
PLOT DATE:	21-JAN-2004
	SHEET 2 OF 30

NOT TO SCALE