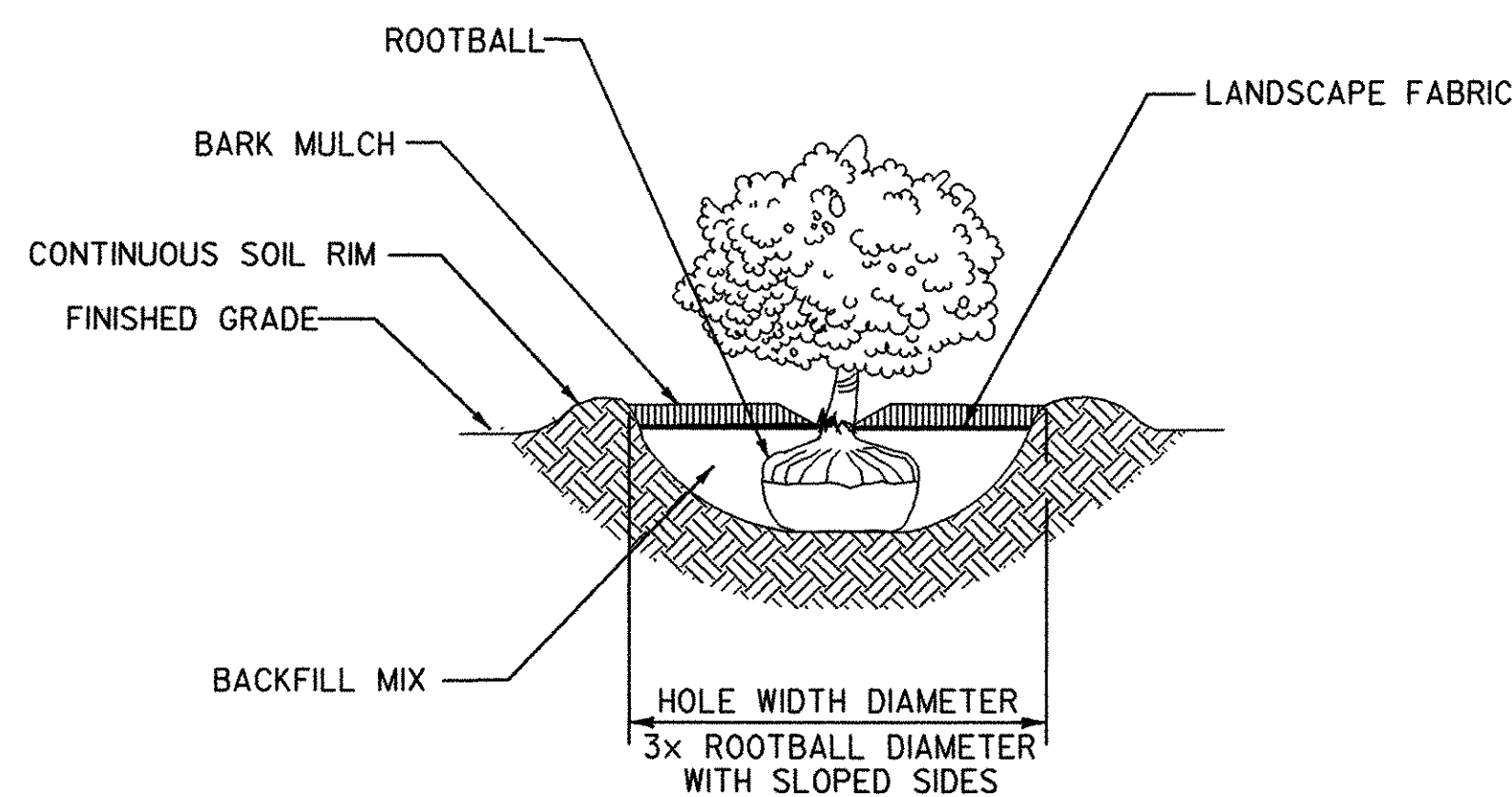
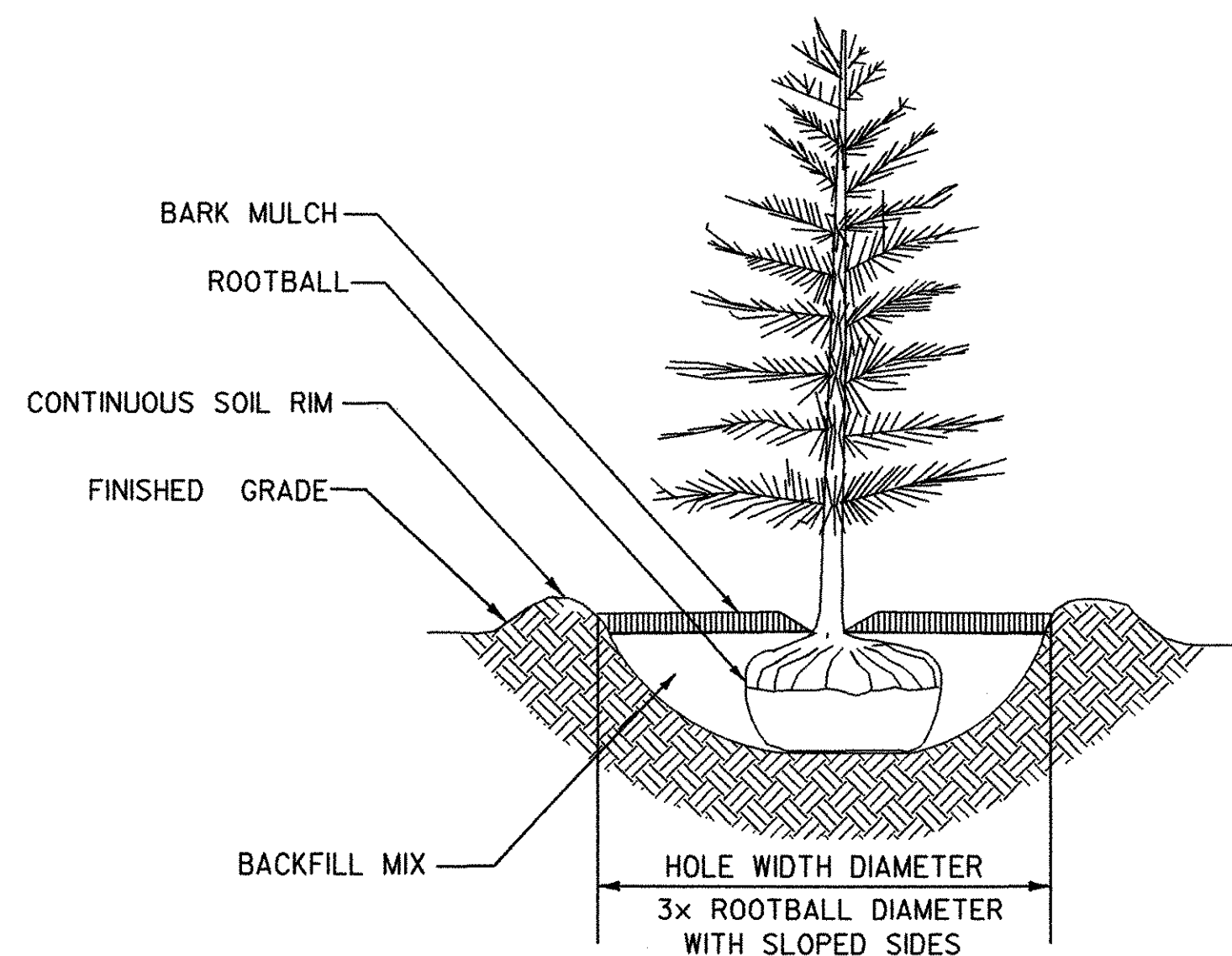


DECIDUOUS TREE PLANTING DETAIL
NOT TO SCALE

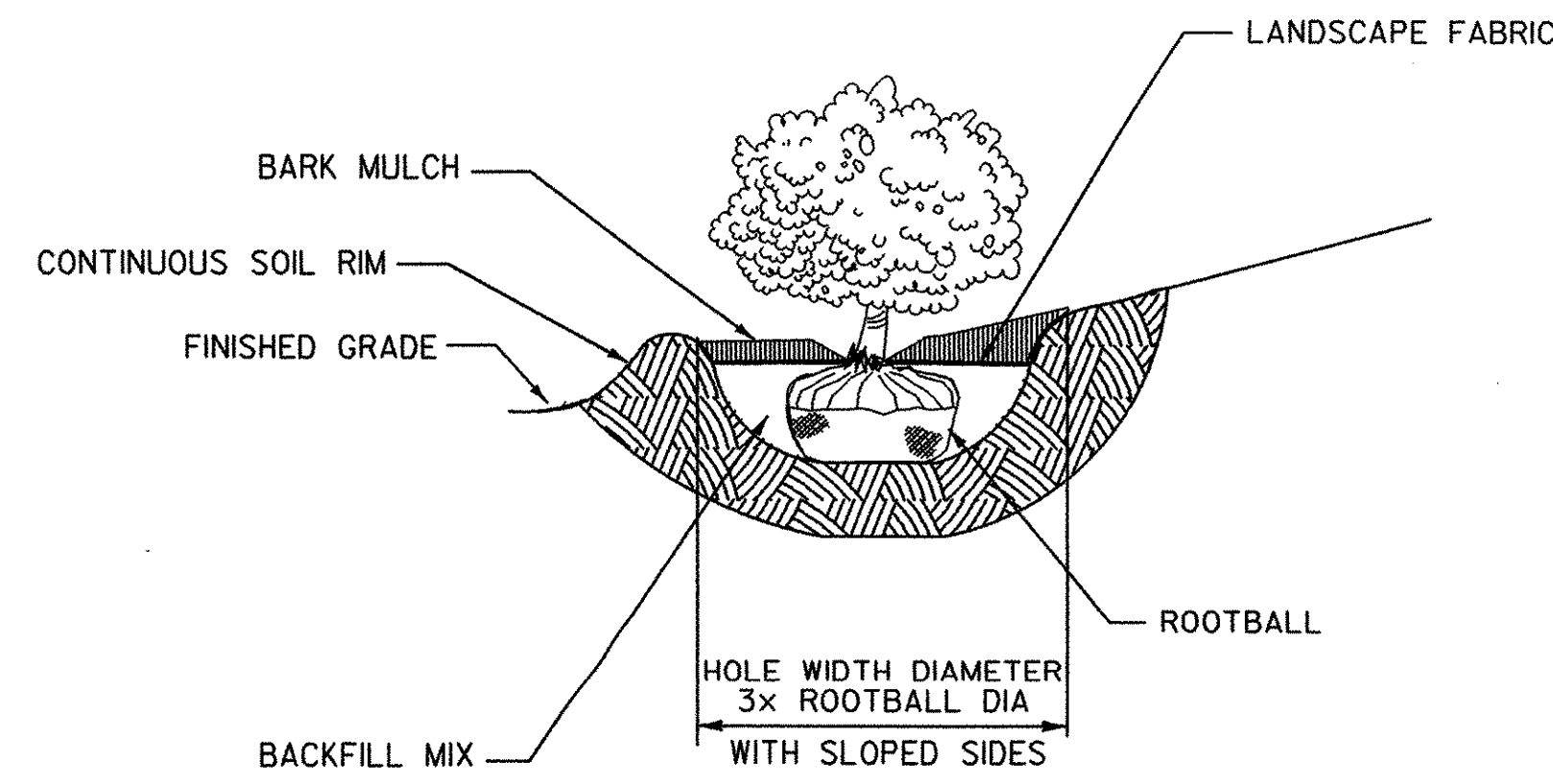


SHRUB PLANTING DETAIL
NOT TO SCALE

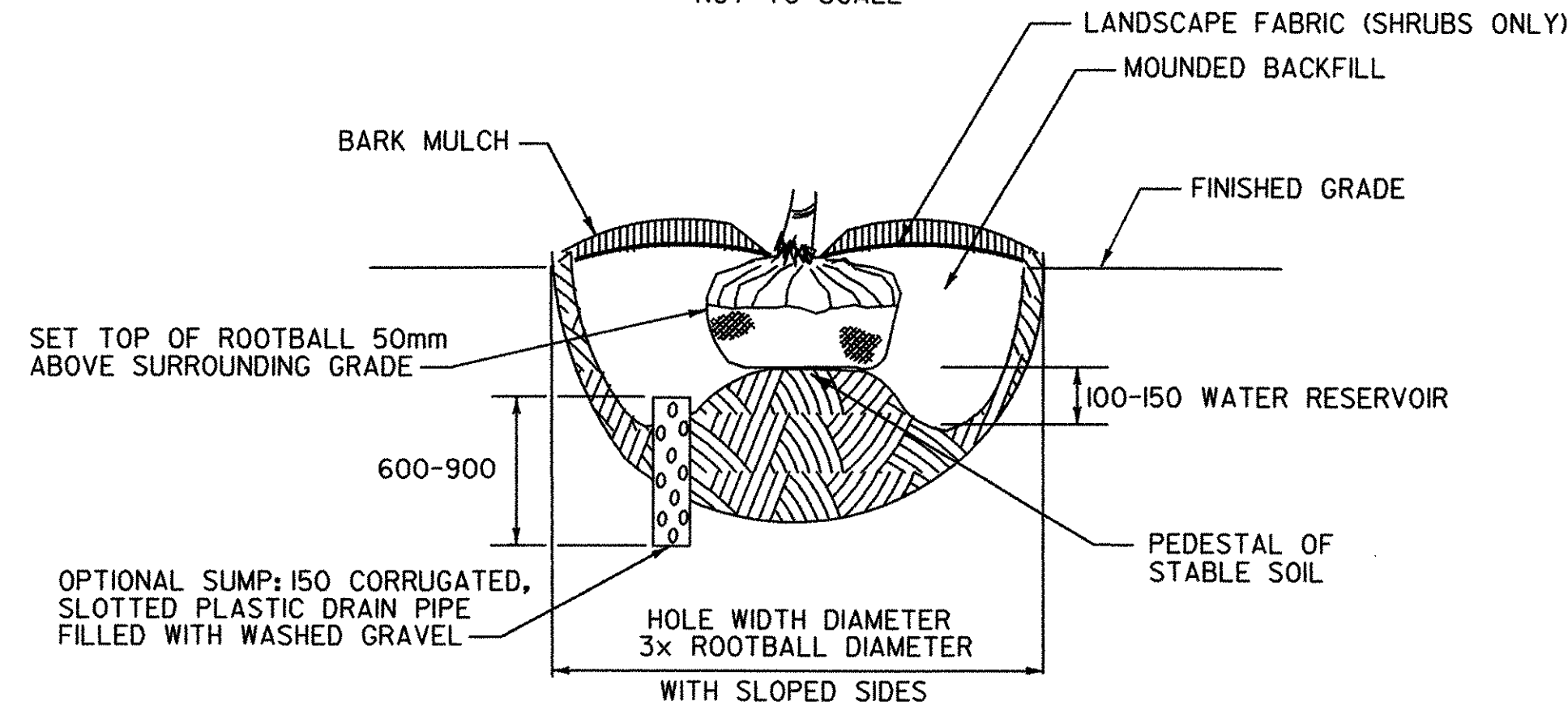


NOTE:
ANTIDESICANT SPRAY SHALL BE APPLIED TO ALL EVERGREENS AS PER MANUFACTURERS SPECIFICATIONS, UNLESS DIRECTED OTHERWISE BY THE RESIDENT ENGINEER.

EVERGREEN TREE PLANTING DETAIL
NOT TO SCALE

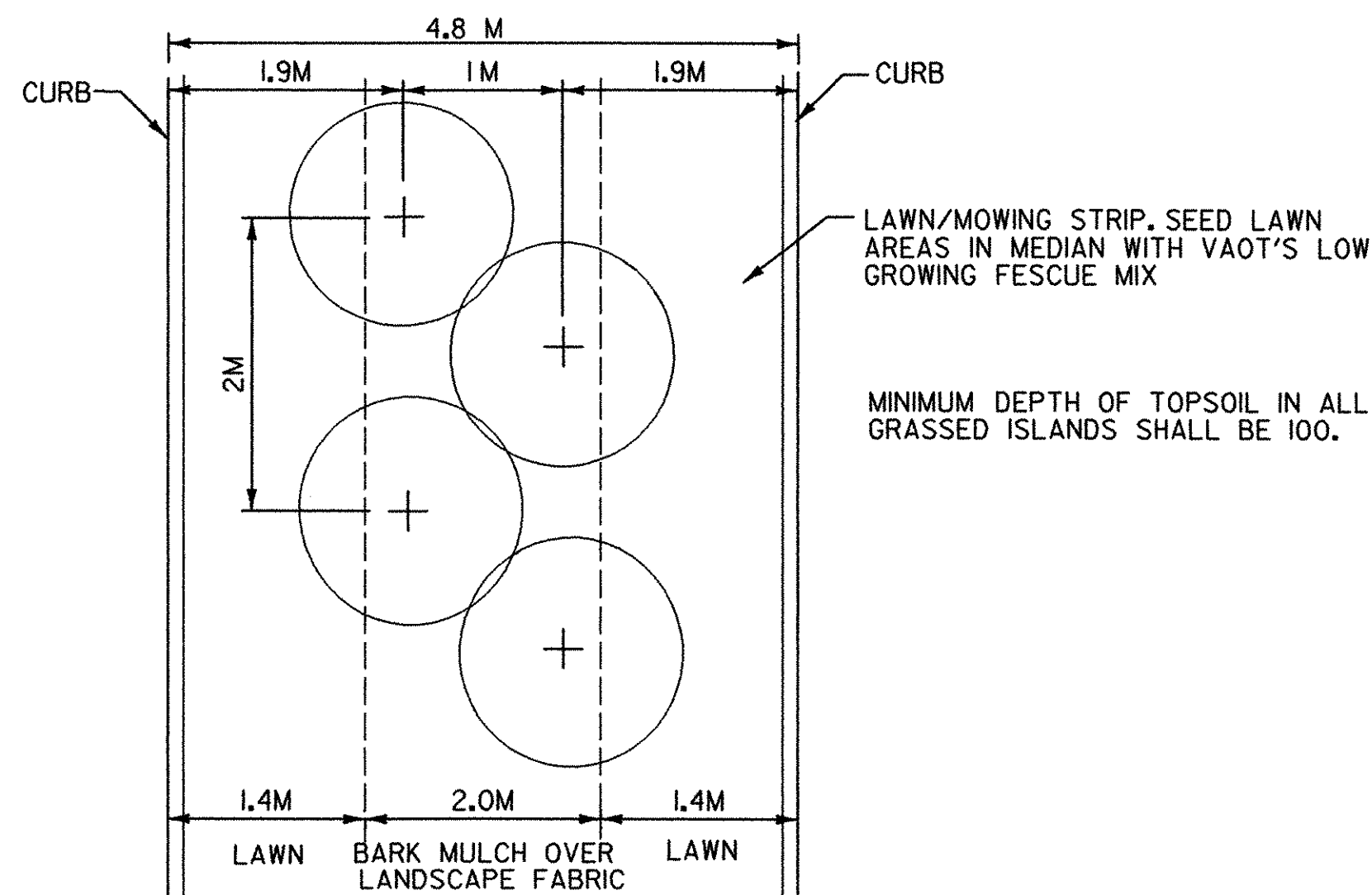
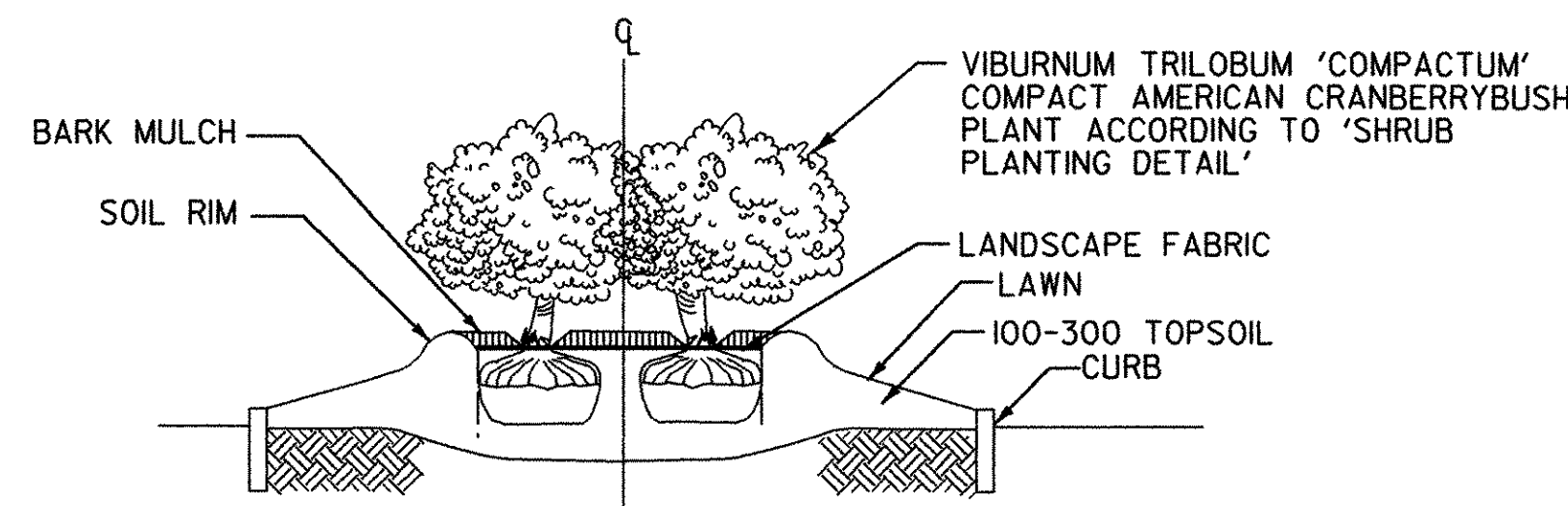


SHRUB PLANTING ON SLOPES DETAIL
NOT TO SCALE



NOTE: THIS DETAIL WILL BE USED AS DIRECTED BY THE RESIDENT ENGINEER

PLANTING DETAIL FOR POORLY DRAINED SOIL
NOT TO SCALE



PLANTING DETAIL IN MEDIAN
NOT TO SCALE

CONSTRUCTION NOTES

1. THE CONTRACTOR SHALL MINIMIZE DISTURBANCE TO ALL EXISTING TREES, SHRUBS, WETLANDS, TURF AND OTHER VEGETATED AREAS WITHIN THE CONSTRUCTION EASEMENT DURING THE PROJECT CONSTRUCTION PERIOD.
2. LIMITS OF ALL CONSTRUCTION ACTIVITY SHALL NOT ENCRoACH WITHIN 10 FEET OF ANY EXISTING TREE LINE UNLESS OTHERWISE DIRECTED BY THE RESIDENT ENGINEER.
3. ALL DISTURBED AREAS SHALL BE SEEDED AND MULCHED AS SPECIFIED WITHIN 2 DAYS OF FINAL GRADING UNLESS OTHERWISE DIRECTED BY THE RESIDENT ENGINEER.
4. THE LOCATIONS OF THE NEW TREES AND SHRUBS SHALL BE STAKED OUT PRIOR TO PLANTING. THE RESIDENT ENGINEER IN CONSULTATION WITH VAOT'S FIELD NATURALIST MAY ADJUST THE STAKES, AS NEEDED PRIOR TO PLANTING. THE CONTRACTOR SHALL BE RESPONSIBLE FOR MAINTAINING THE STAKES DURING CONSTRUCTION.
5. ALL CONSTRUCTION ACTIVITIES SHALL BE CONFINED TO WITHIN THE LIMITS OF DISTURBANCE AS IDENTIFIED ON THE PLANS OR AS OTHERWISE DIRECTED BY THE RESIDENT ENGINEER. THE CONTRACTOR SHALL NOT PLACE EQUIPMENT OR PERFORM WORK ON ADJACENT PROPERTIES WITHOUT WRITTEN PERMISSION FROM THE LANDOWNER AND RESIDENT ENGINEER.
6. THE CONTRACTOR SHALL VERIFY ALL PLANTING LOCATIONS AND QUANTITIES WITH THE RESIDENT ENGINEER PRIOR TO THE PLANTING. ADJUSTMENTS TO THE PLANTING DESIGN AND LAYOUT MAY BE REQUIRED BASED UPON ACTUAL FIELD CONDITIONS. QUANTITIES SHOWN ARE ESTIMATES ONLY AND ARE SUBJECT TO CHANGE.
7. THE CONTRACTOR SHALL PRESERVE AND PROTECT ALL EXISTING VEGETATION OUTSIDE THE LIMITS OF THE CONSTRUCTION EASEMENTS USING BARRIER FENCE AS DIRECTED BY THE RESIDENT ENGINEER. NO STORAGE OF HEAVY EQUIPMENT OR MATERIAL IS ALLOWED BEYOND THE LIMITS OF CONSTRUCTION.

GENERAL NOTES FOR PLANTING

1. FERTILIZER: MYCORRHIZA 3-3-3 SHALL BE APPLIED TO ALL NEW PLANTINGS

ANALYSIS:		
TOTAL NITROGEN (N)		3.0%
1.0% WATER SOLUBLE NITROGEN		
2.0% WATER INSOLUBLE NITROGEN		
AVAILABLE PHOSPHATE (P)		3.0%
SOLUBLE POTASH (K)		3.0%
CALCIUM (Ca)		8.0%
MAGNESIUM (Mg)		0.5%
IRON (Fe)		1.2%
DERIVED FROM: ALFALFA MEAL, POULTRY MANURE, IRON SULFATE AND MAGNESIUM SULFATE		
NON PLANT FOOD INGREDIENTS: SEA KELP, HUMUS, ENDO AND ECTO MYCORRHIZA SPORES.		
APPLICATION: APPLY ON TOP OF BACKFILL AFTER PLANTING AND WATER IN.		

- | TYPE | SIZE | RATE (500ml/500g) |
|------------|----------|-------------------|
| SHRUB | 300 BALL | 100 g |
| SHRUB | 500 BALL | 500 g |
| 40-45 CAL. | 600 BALL | 1.0 kg |
2. MULCH: PLACE A 75mm LAYER OF NATURAL DOUBLE SHREDDED, UNDYED BARK MULCH AROUND TREES AND SHRUBS. TAPER MULCH TO TRUNK FLARE/ROOTBALL.
 3. SETTING PLANTS: PLACE ROOTBALL ON TOP OF STABLE SOIL SO THAT THE TRUNK FLARE/ROOTBALL IS 25 TO 50 HIGHER THAN FINISHED GRADE. AVOID PLANTING TOO DEEP. REMOVE TWINE AND BURLAP FROM TOP HALF OF ROOTBALL; IF SYNTHETIC, REMOVE WRAP OR CONTAINER. REMOVE THE TOP HALF OF WIRE BASKET.
 4. TOPSOIL: IMPORTED TOPSOIL SHALL BE FERTILE, FRIABLE, SANDY LOAM CONTAINING A MINIMUM OF 1.5% BY DRY WEIGHT OF ORGANIC MATTER; FREE FROM SUBSOIL, REFUSE, DEBRIS, ROOTS, HEAVY CLAY, STONES LARGER THAN 20mm, AND NOXIOUS WEED SEEDS; AND SUITABLE FOR THE GERMINATION OF SEEDS AND THE SUPPORT OF HEALTHY VEGETATIVE GROWTH WITH A pH VALUE OF 5.5 TO 6.5
 5. CONTINUOUS SOIL RING: FORM A 75mm HIGH CONTINUOUS SOIL RIM AROUND TREES AND SHRUBS. THE DIAMETER OF THE RIM SHALL BE 3 TIMES THE DIAMETER OF THE ROOTBALL.
 6. ORGANIC COMPOST: ORGANIC COMPOST SHALL BE FULLY COMPOSTED AND ODOOR FREE; SCREENED TO 10mm; NO SEWAGE SLUDGE OR CHEMICALS; APPROVED FOR USE ON ORGANIC FARMS; AND SHALL BE 'INTERVALE' COMPOST (802)660-4979 OR APPROVED EQUAL.
 7. BACKFILL MIX: BACKFILL MIX FOR ALL PLANTS SHALL BE 75% TOPSOIL AND 25% ORGANIC COMPOST.
 8. TREES: ALL TREES SHALL BE GROWN AS TREE FORMS AND TRAINED IN THE NURSERY TO A SINGLE STRAIGHT TRUNK.
 9. PLANT LOCATIONS: TREES AND SHRUBS MAY BE ADJUSTED AT THE TIME OF THEIR PLANTING FOR OPTIMUM LOCATION AS DIRECTED BY THE RESIDENT ENGINEER.
 10. PLANTING DATES: SPRING TREE PLANTING: MAY 1 TO JUNE 15. FALL TREE PLANTING: SEPT 1 TO OCTOBER 15. THE RESIDENT ENGINEER MAY APPROVE PLANTING BEYOND THESE DATES.
 11. LANDSCAPE FABRIC: IN THE STREAMBANK RESTORATION AREAS, EXTEND 50 G/SM NONWOVEN POLYPROPYLENE LANDSCAPE FABRIC 1 METER BEYOND EACH SHRUB OR GROUPS OF SHRUBS TO COVER ENTIRE PLANTING BED UNLESS DIRECTED OTHERWISE BY THE RESIDENT ENGINEER.

CONTRACT PLANS

DATUM
VERTICAL _____
HORIZONTAL _____

**PLANTING
DETAIL
SHEET**

PROJECT: BENNINGTON HOOSICK D.P.I.0146(I)C/7
DESIGN FILE NAME: R13464-PROJECT.dgn
IPARM FILE NAME:
SURVEYED BY:
SQUAD LEADER: J.A.S.
DWG. NO. L3
PLOT DATE: 2/26/04
SURVEY DATE:
DRAWN BY: KRK
SHEET: 4 OF 13