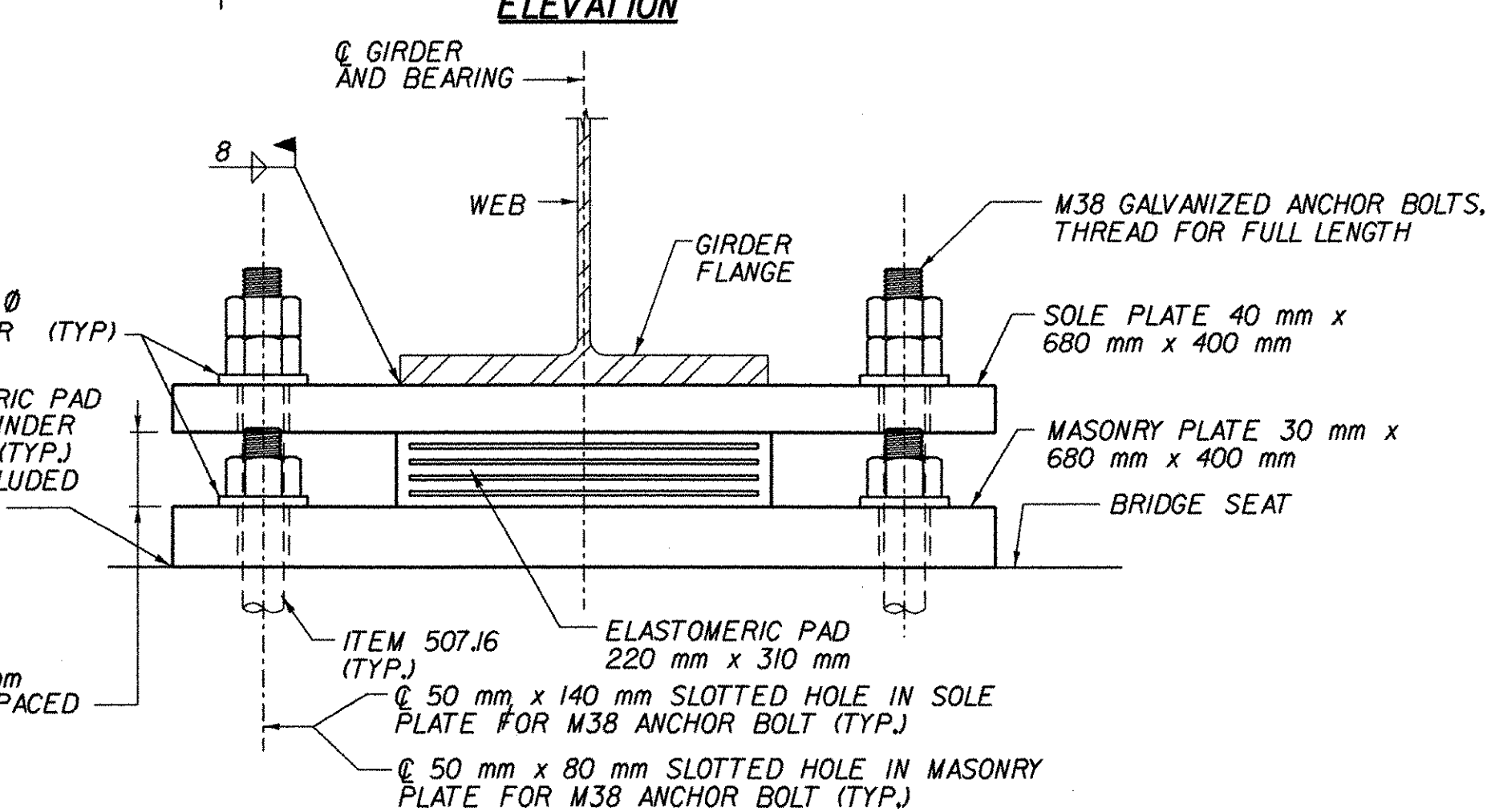
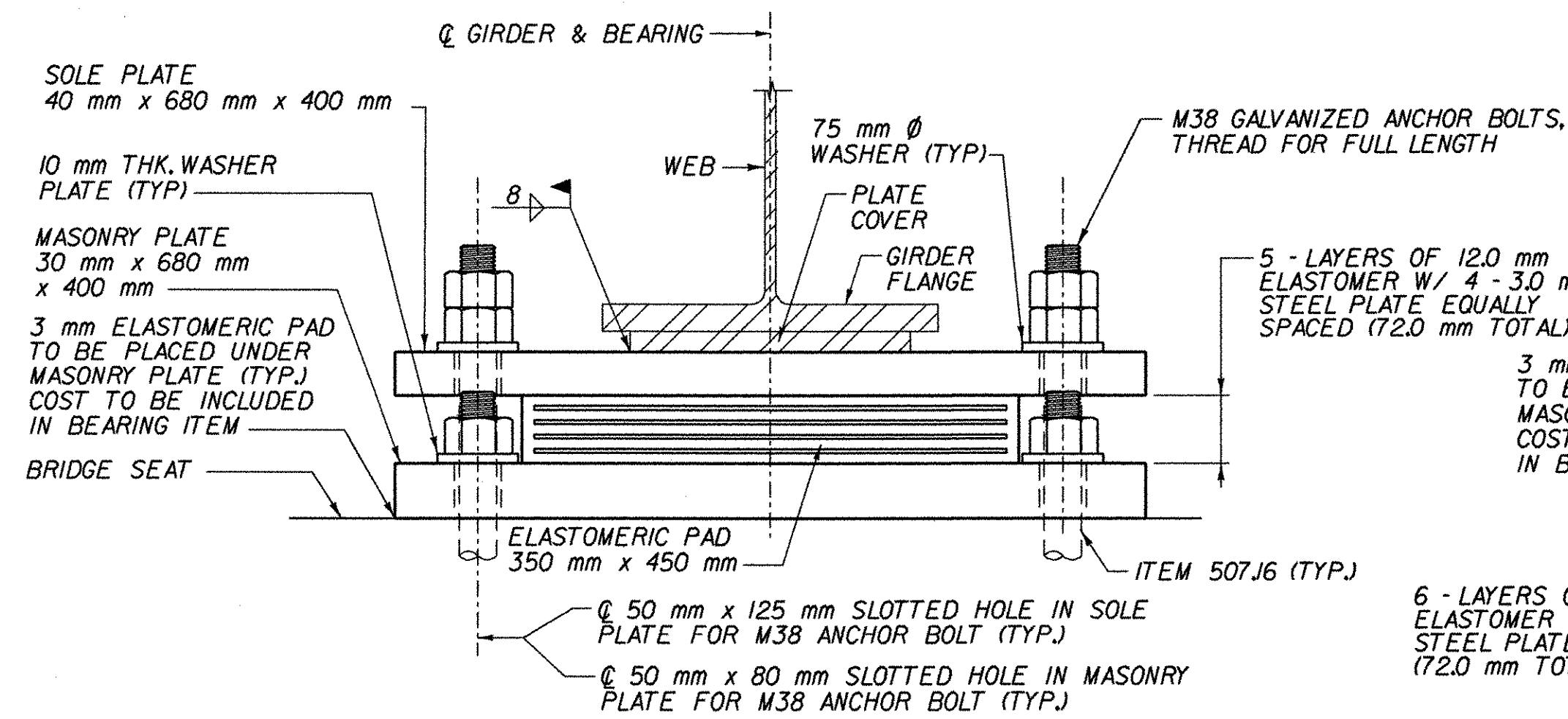
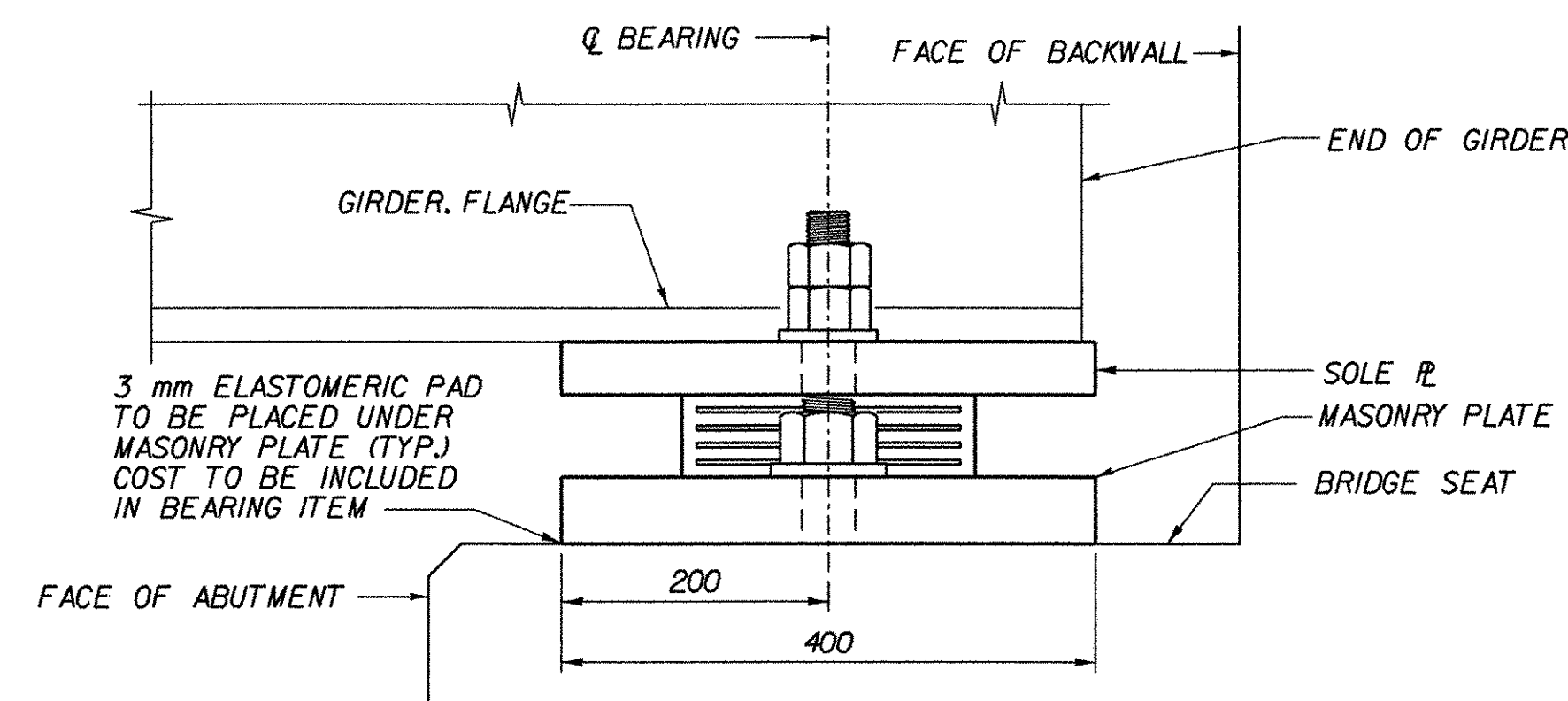
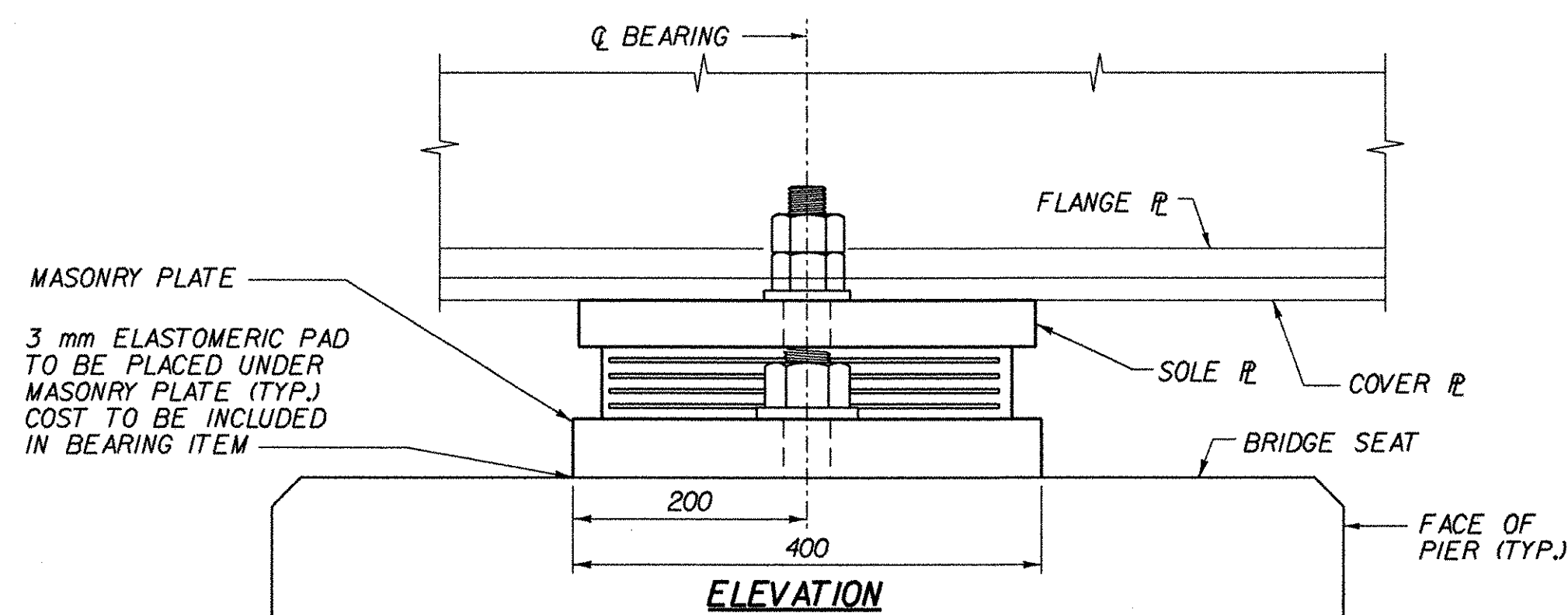
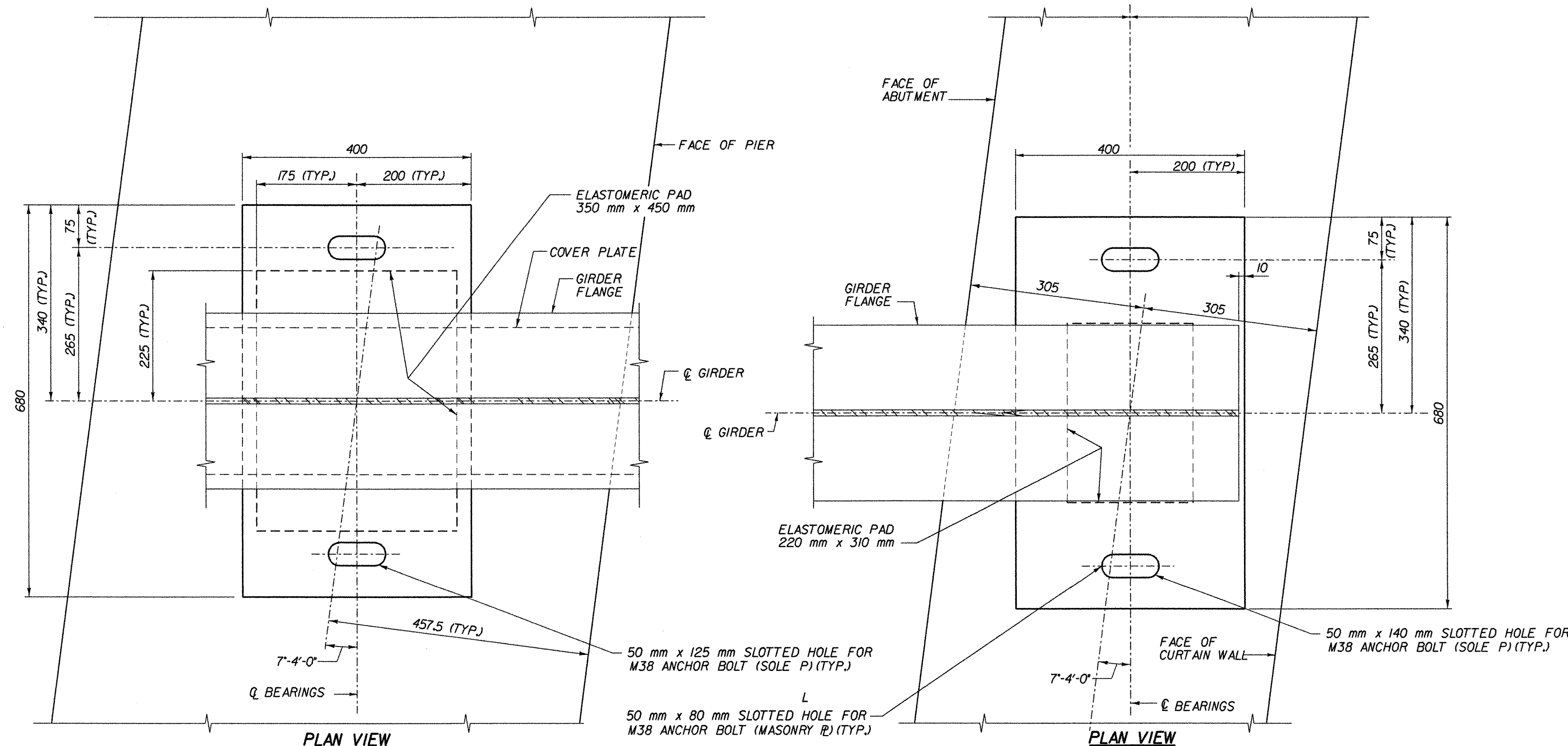


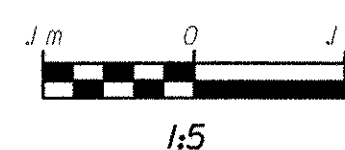
NOTE: UNLESS NOTED OTHERWISE, ALL STATIONS ARE IN KILOMETERS, ALL ELEVATIONS ARE IN METERS, AND ALL DIMENSIONS ARE IN MILLIMETERS.



EXPANSION BEARING AT PIERS (FRONT VIEW)

BEARING DETAILS

EXPANSION BEARING AT ABUTMENTS 2 & 4 (FRONT VIEW)

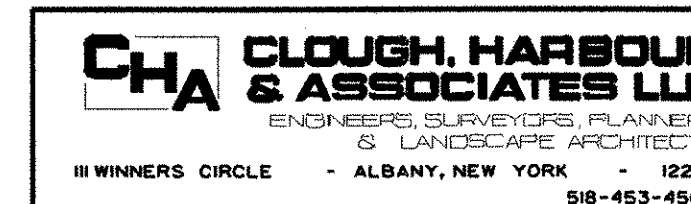


NOTES:

- SEE SHEET NO. BRI FOR BEARING NOTES.
- SEE GENERAL NOTE 13 ON SHEET NO. BRI FOR SHOP DRAWING DISTRIBUTION LIST.

STATE OF VERMONT
AGENCY OF TRANSPORTATION

| | | | |
|---|--------------------|--------------------------|-------------------------|
| Town Of | BENNINGTON | Bridge No. | BRI200 |
| Highway No. | VT. RTE. 279 | Log Sta. | |
| | | Surv. Sta. | 17+853 |
| VT. RTE. 279 OVER HISTORIC VT. ROUTE 7A | | | |
| BEARING DETAILS | | | |
| Designed By | D. STECIAK | Drawn by | K. RAPELLO/B. WEATHERBY |
| Checked By | Date | Bridge Design Supervisor | |
| M. W. OLSTAD | 02/04 | M. W. OLSTAD | Date 02/04 |
| PROJECT | BENNINGTON-HOOSICK | PROJECT NO. | D.P.I. 0146(I) C/6 |
| I.G.C. Info. | | | |
| Bridge Sheet No. | BRI207 | Sheet | 82 OF 83 |



FILE NAME = s:\12502\mstn\frna\7a\brg\brgsh2.plt
DATE/TIME = 2/17/2004
USER = 2225