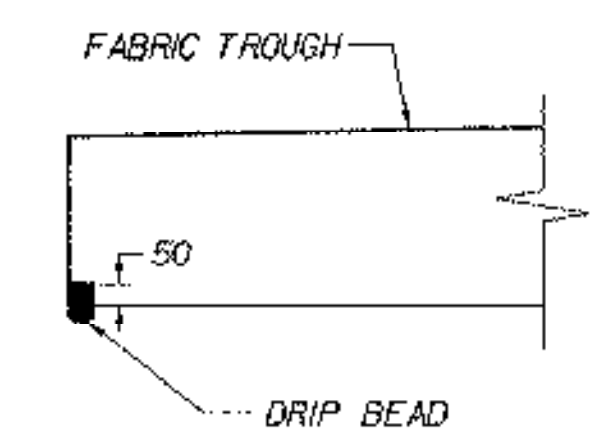
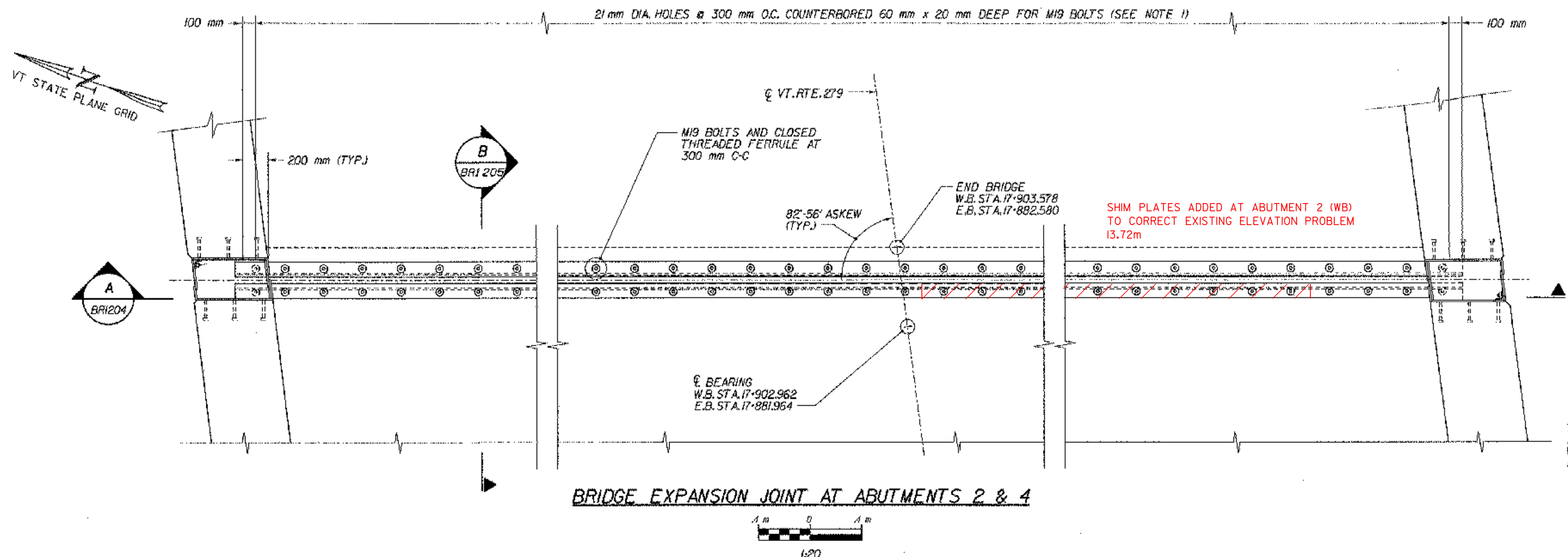
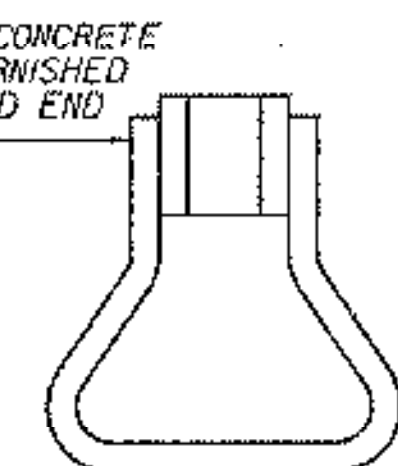


NOTE: UNLESS NOTED OTHERWISE, ALL STATIONS ARE IN KILOMETERS, ALL ELEVATIONS ARE IN METERS, AND ALL DIMENSIONS ARE IN MILLIMETERS.



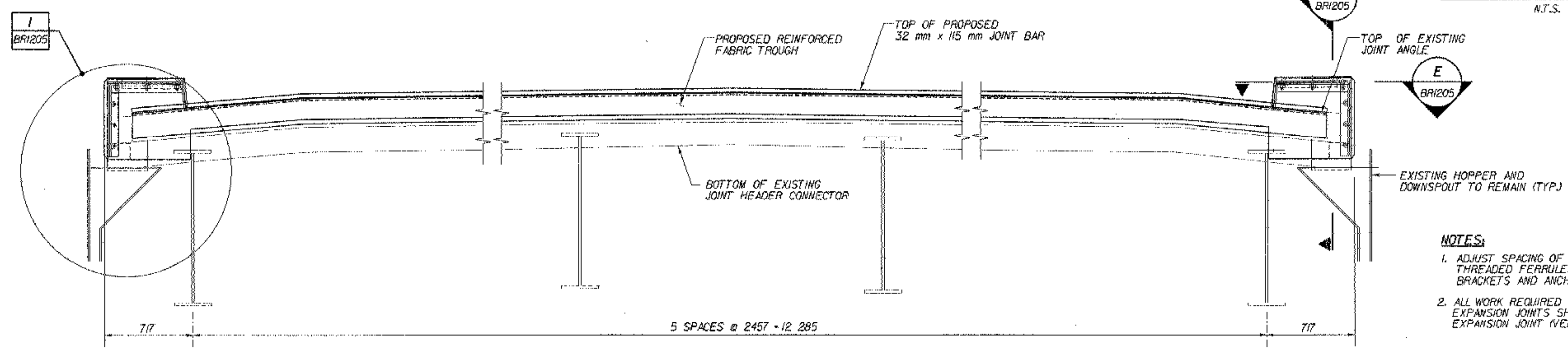
A DRIP BEAD, FABRICATED FROM PREFORMED MATERIAL, IS TO BE MADE ON THE UNDERSIDE OF THE FABRIC TROUGH AS SHOWN, WITH THE COST TO BE SUBSIDIARY TO ITEM 516.10 'BRIDGE EXPANSION JOINT', (VERMONT TYPE) (MOD.)

2 DRIP BEAD DETAIL
BRI205 N.T.S.



NOTE: THREADED CONCRETE ANCHORS MAY BE SUBSTITUTED FOR CLOSED THREADED FERRULES. CLOSED THREADED FERRULES MUST BE TACK WELDED TO JOINT ANGLE.

ANCHOR FERRULE DETAIL
N.T.S.



- NOTES:**
1. ADJUST SPACING OF 21 mm DIA. HOLES, WELDED STUDS, AND THREADED FERRULES FOR CLEARANCE IN AREAS OF EXISTING BRACKETS AND ANCHOR STUDS.
 2. ALL WORK REQUIRED TO PERFORM THE MODIFICATION OF THE EXPANSION JOINTS SHALL BE INCLUDED IN ITEM 516.10 BRIDGE EXPANSION JOINT (VERMONT TYPE), (MOD.).

A BRIDGE SECTION AT JOINT
BRI204 1:20

STATE OF VERMONT AGENCY OF TRANSPORTATION			
Town Of	BENNINGTON	Bridge No.	BR1200
Highway No.	VT. RTE. 279	Log Sta.	
		Surv. Sta.	17+853
VT. RTE. 279 OVER HISTORIC VT. ROUTE 7A			
EXPANSION JOINTS AT EAST ABUTMENTS			
Designed By	D. STECIAK	Drawn by	K. RAPELLO/B. WEATHERBY
Checked By	M. W. OLSTAD	Date	02/04
		Bridge Design Supervisor	M. W. OLSTAD
		Date	02/04
PROJECT	BENNINGTON-HOOSICK	PROJECT NO.	D.P.J. 0146D C/6
I.G.C. Info.			
Bridge Sheet No.	BR1204	Sheet 79 OF 83	

CHA CLOUGH, HARBOUR & ASSOCIATES LLP
ENGINEERS, ARCHITECTS, PLANNERS
& LANDSCAPE ARCHITECTS
WINNERS CIRCLE - ALBANY, NEW YORK - 12208
518-452-4500

FILE NAME: s:\12502\AMSTN\FINAL\7a\brs\untahd\up17
DATE/TIME: 2/17/2004
USER: 52225