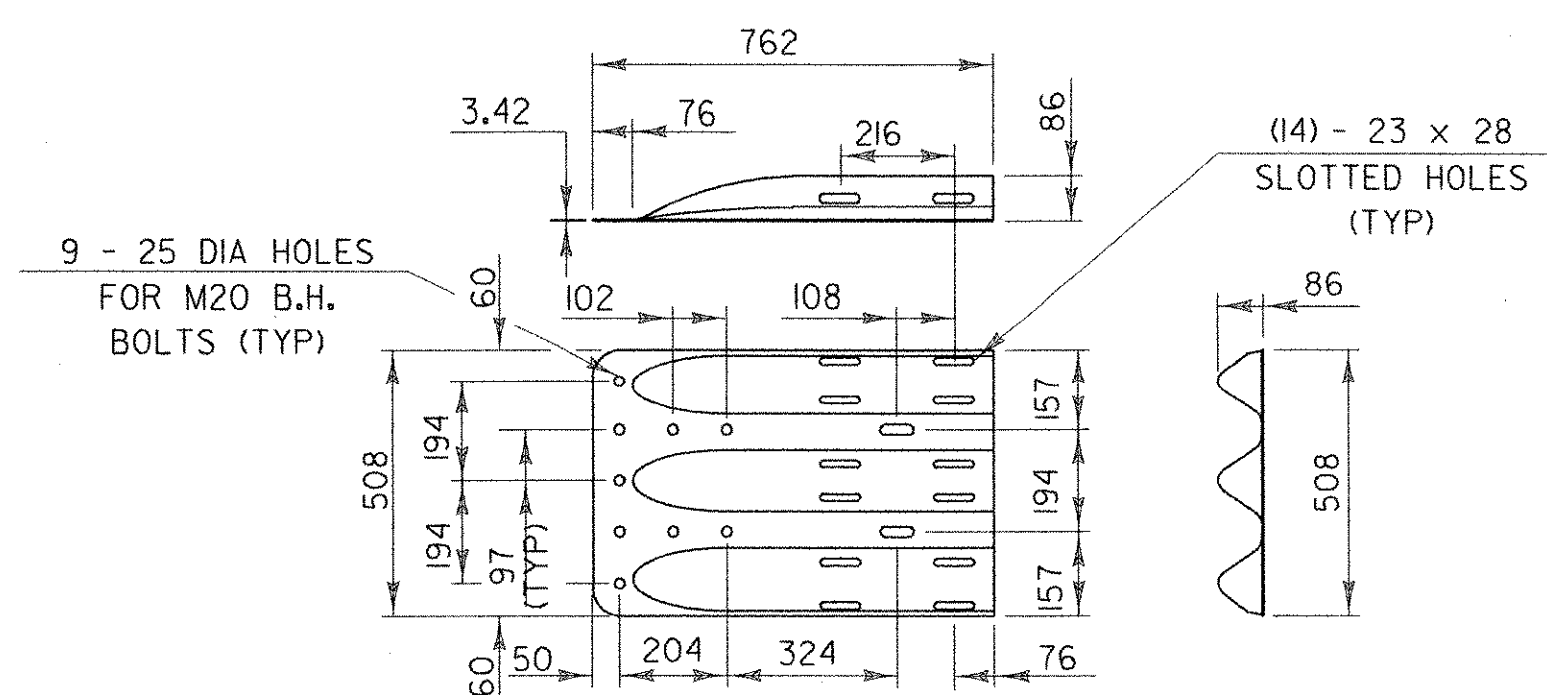
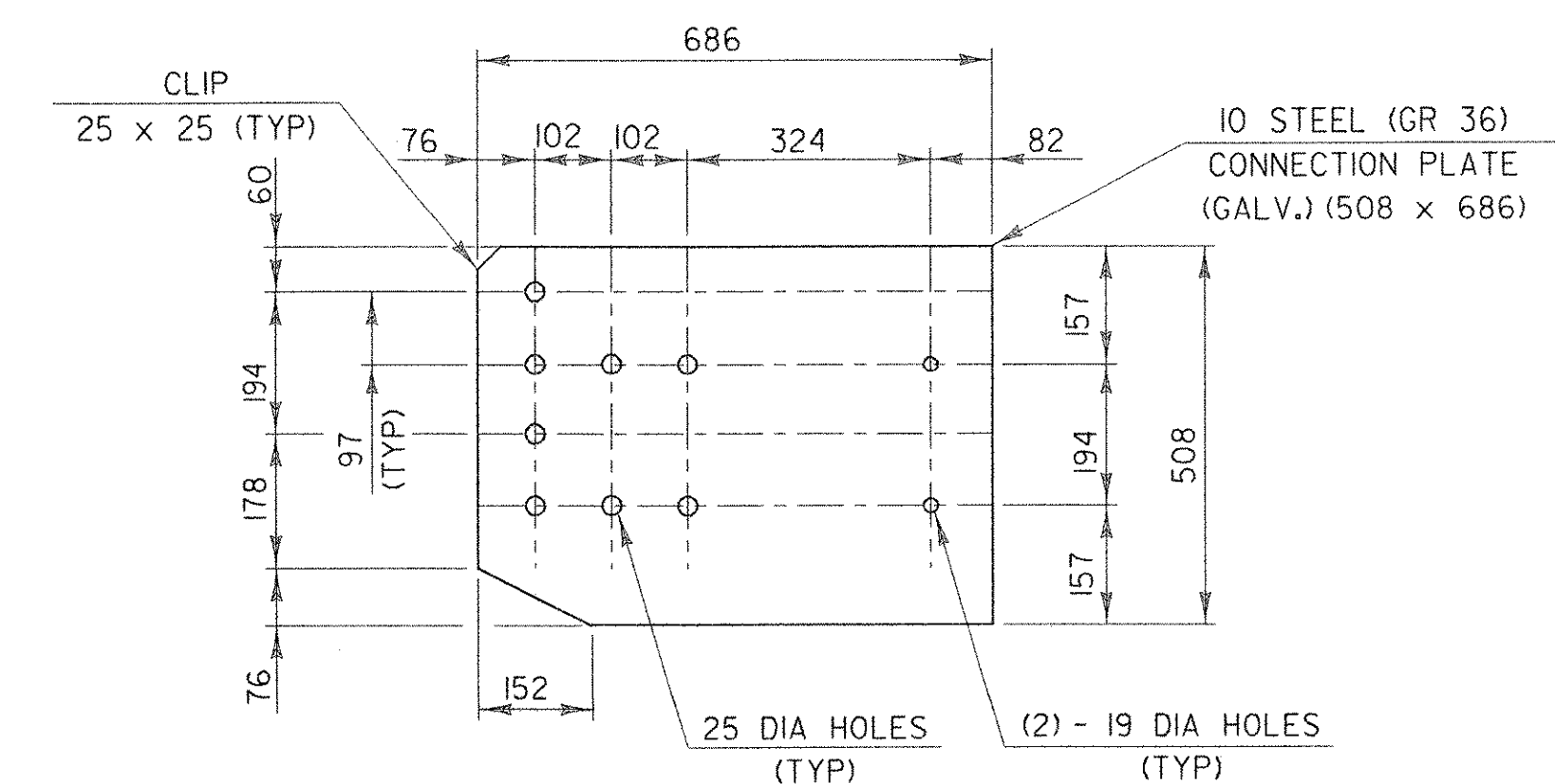


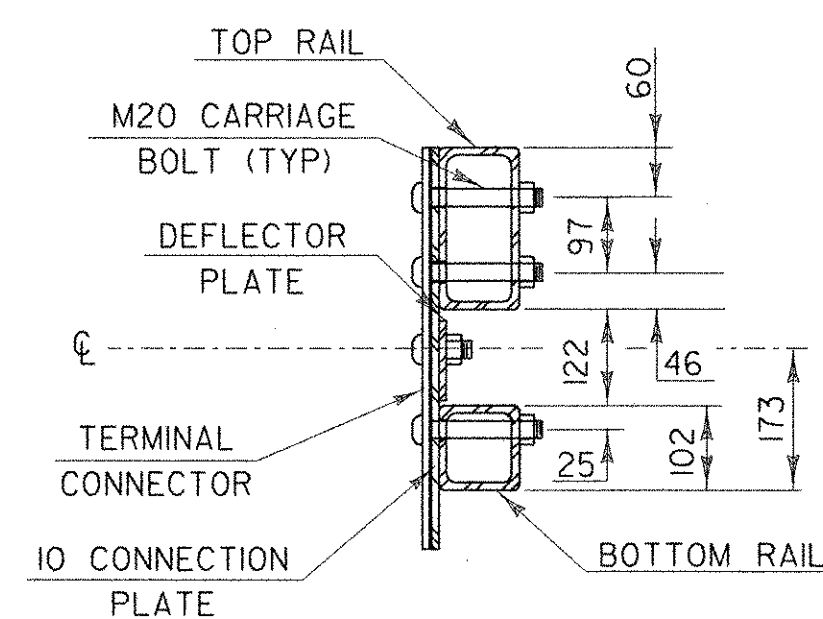
WOOD POST-RAIL ASSEMBLY



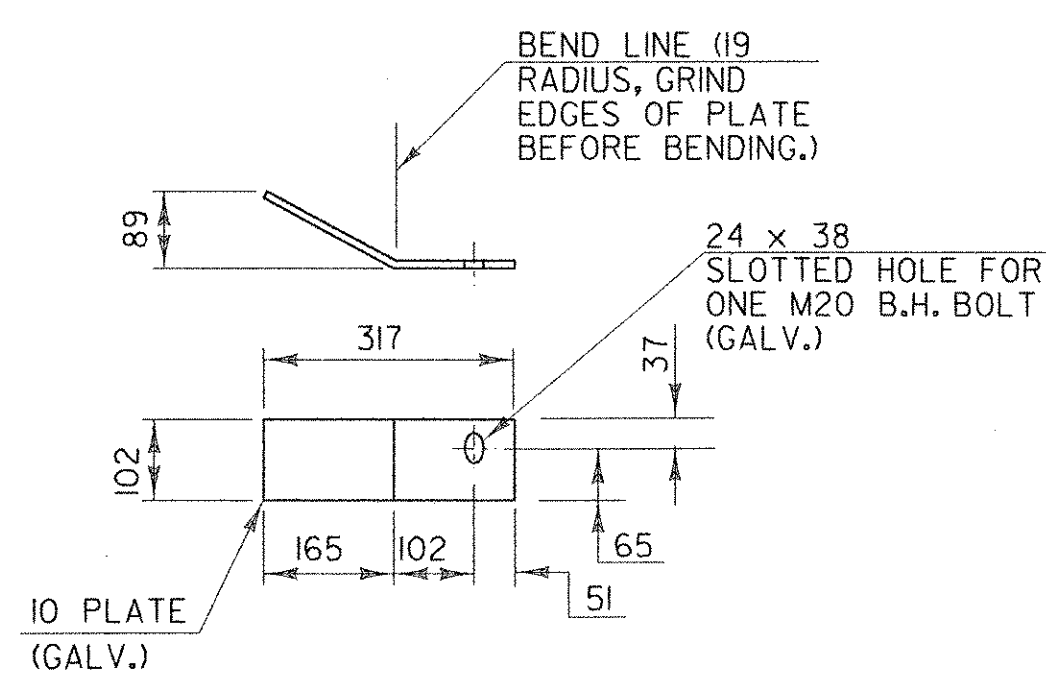
THRIE-BEAM TERMINAL CONNECTOR (HM-TF-13RE-67)



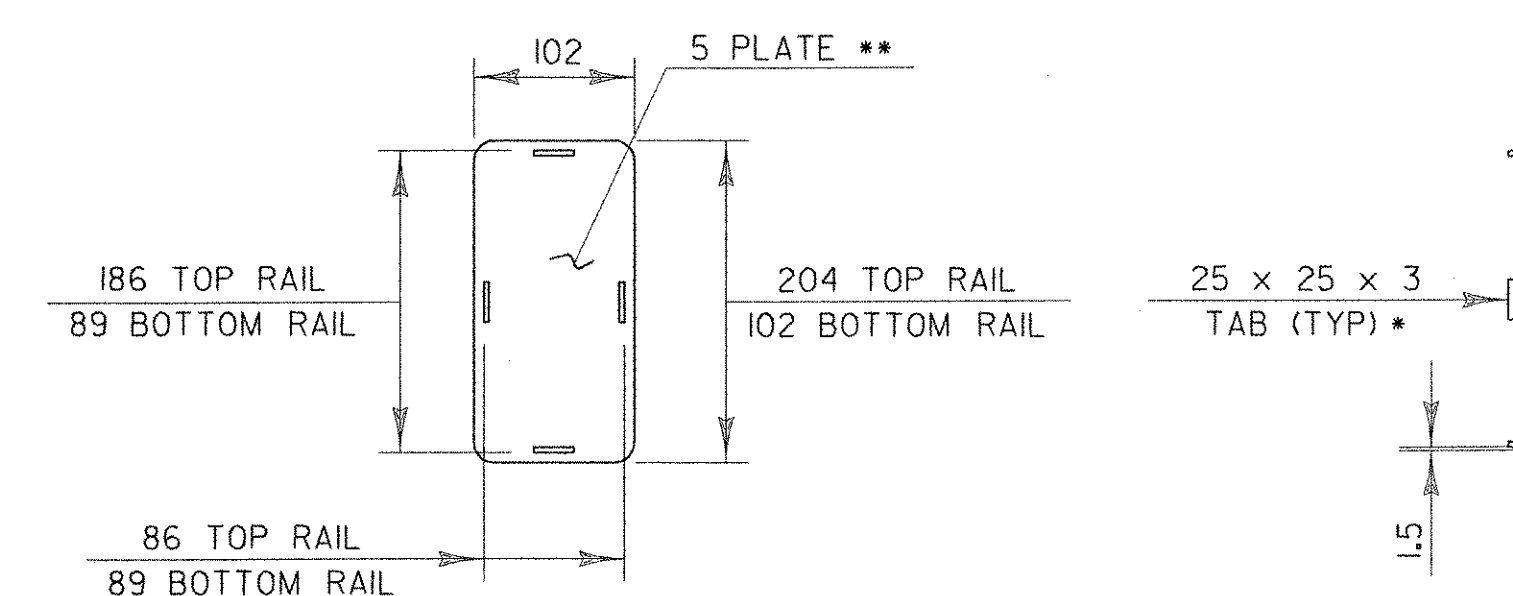
CONNECTION PLATE



SECTION C-C (CONNECTION PLATE)

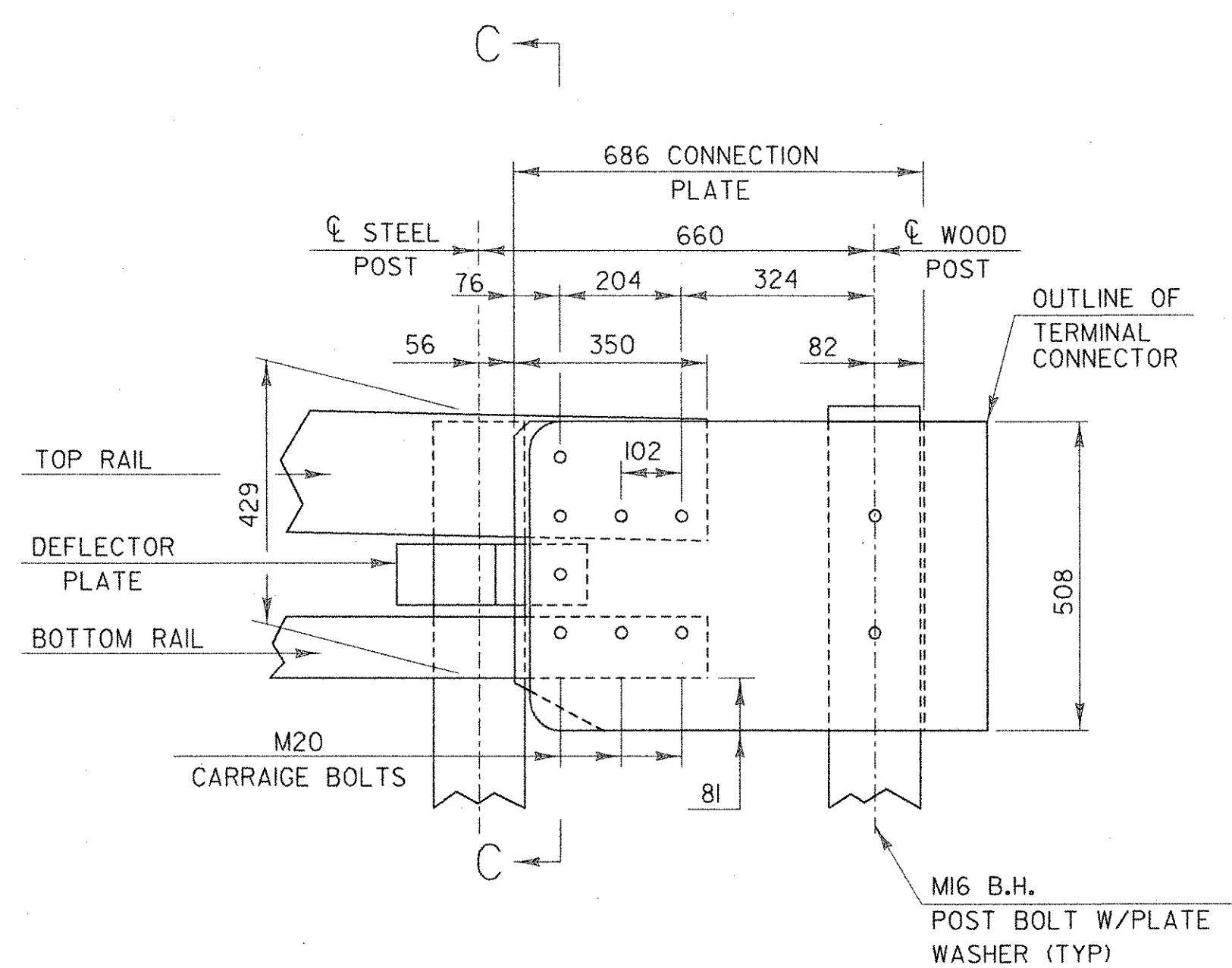


DEFLECTOR PLATE DETAIL

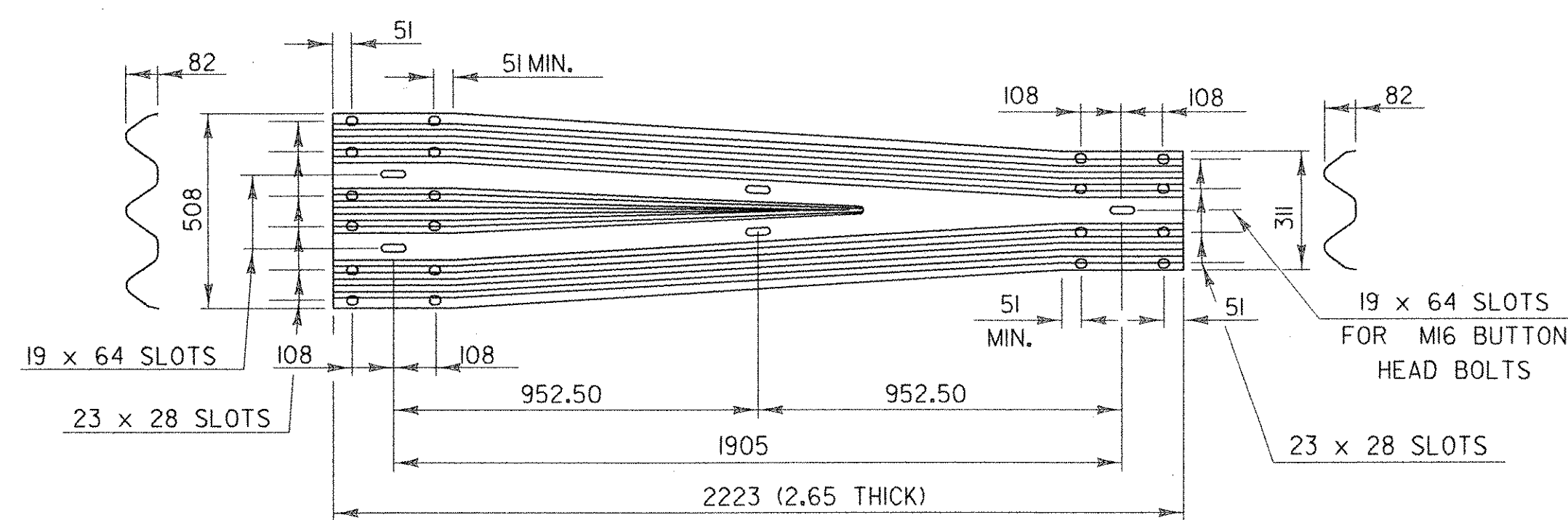


END CAP DETAIL

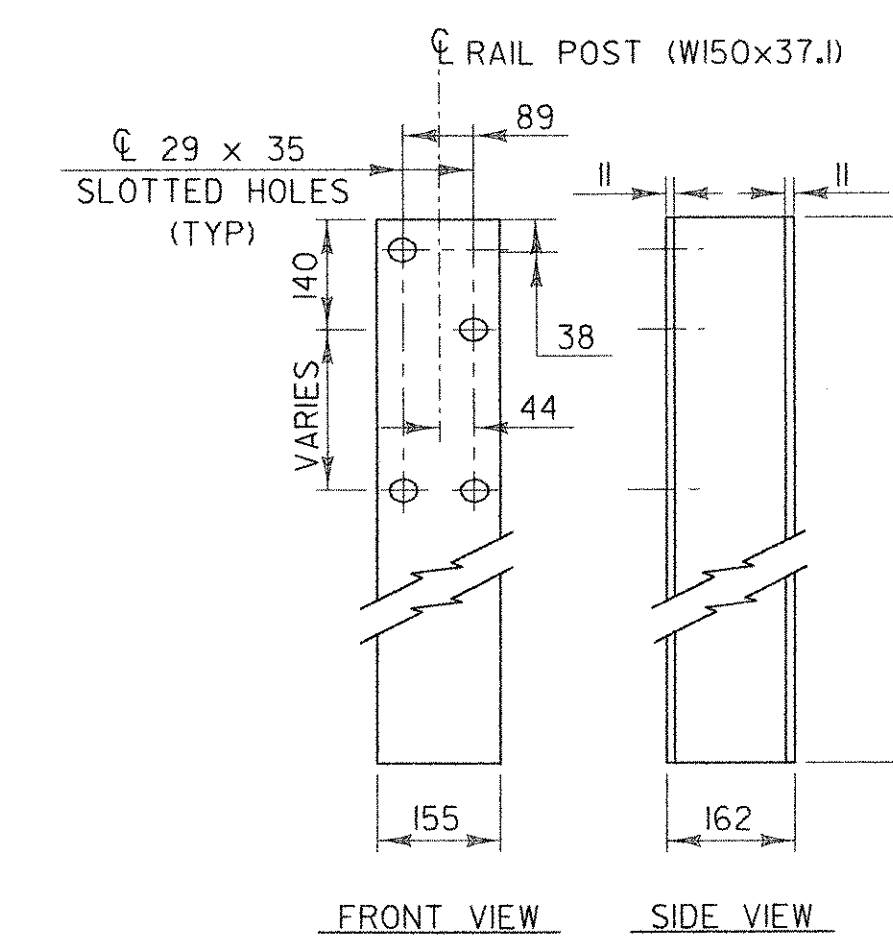
* WELD TABS TO END CAP PLATE IN TAPERED POSITION SO CAP CAN BE JAMMED INTO END OF RAIL TUBE.
 ** ROUND CORNERS 12 RADIUS (TYP)



DETAIL A



THRIE-BEAM TO STD SB TRANSITION SECTION (HM-TF-13RE-69)



RAIL POST

ALL DIMENSIONS IN MILLIMETERS UNLESS OTHERWISE NOTED.

APPROACH RAIL N.E.T.C. 2 RAIL DETAIL SHEET	SURVEYED BY	C.H.A. & V.S.E.	DATE	12/93
	DESIGNED BY	D.W.E.	DATE	2/04
	DRAWN BY	C.A.K.	DATE	2/04
	CHECKED BY	D.E.G.	DATE	2/04
	DESIGN FILE NO.	MD02.DGN		
PROJ. NAME	BENNINGTON - HOOSICK D.P.I. 0146(II) C/6			
PROJ. NO.	P.I.N. 1306.60			
DWG NO.	MD-2	SHEET 53 OF 83		

FILE NAME = u:\5116\vaot\cont-act6\md02.dgn
 DATE/TIME = 2/16/2004
 USER = 2225

DATUM	
VERTICAL	NAVD 88
HORIZONTAL	NAD 83 (1992)