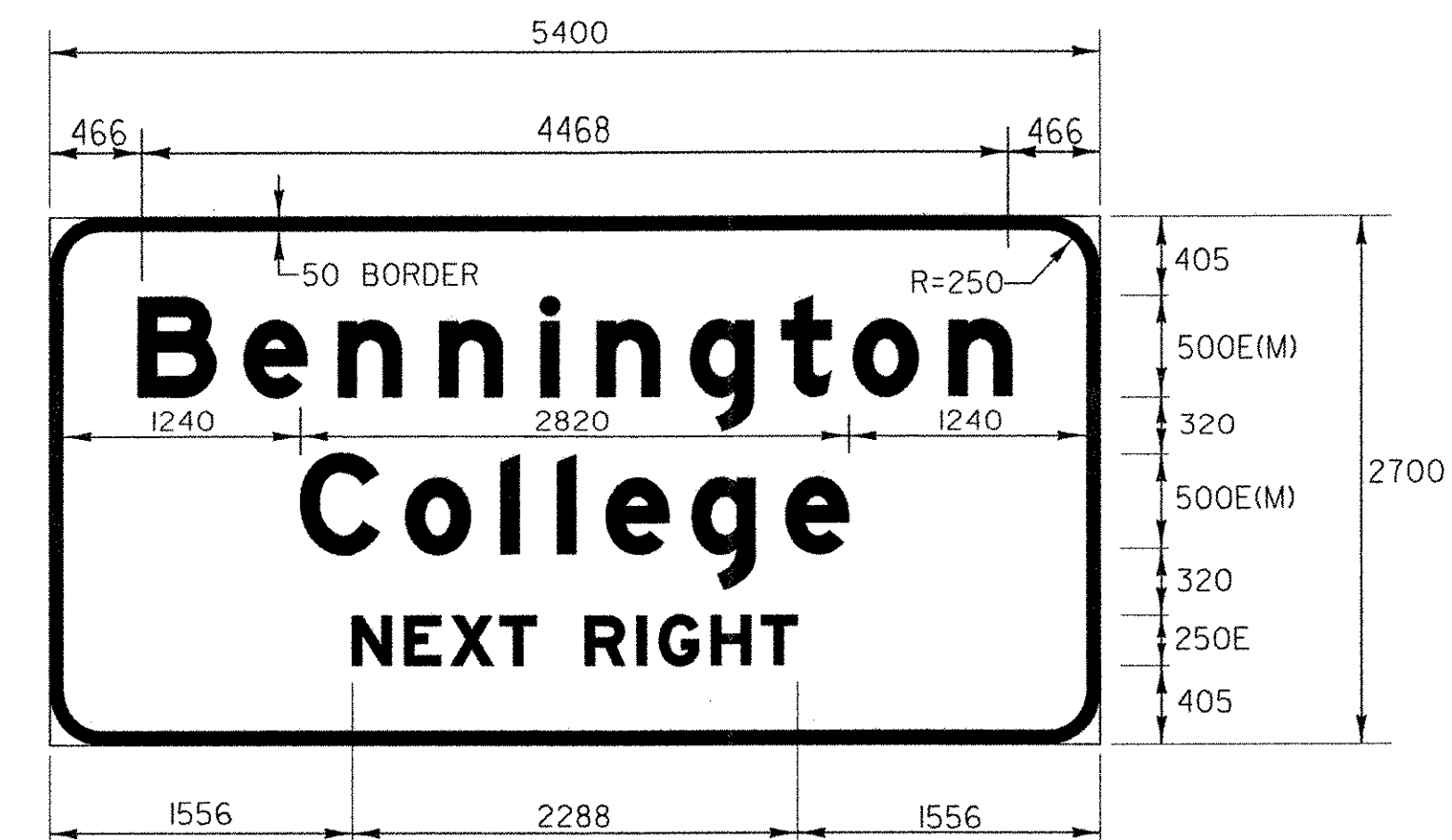


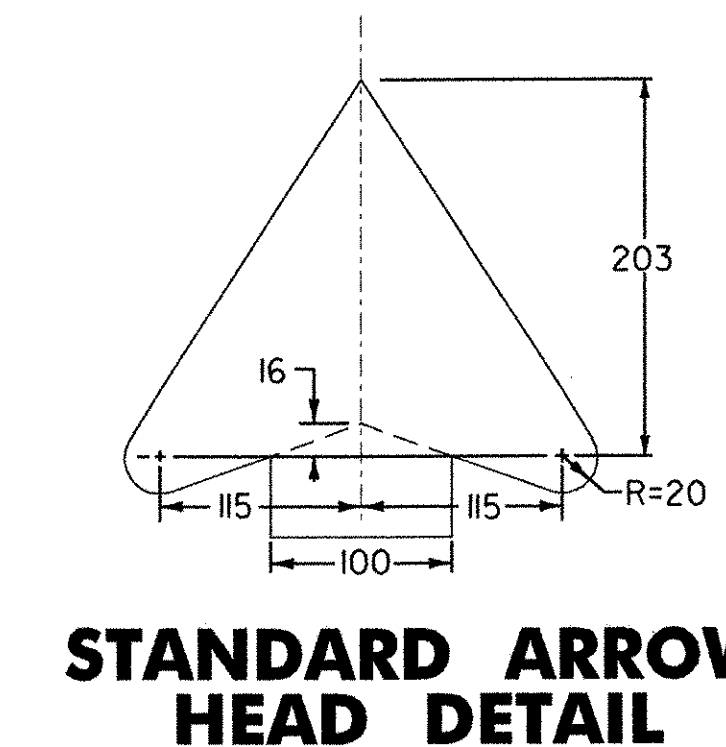
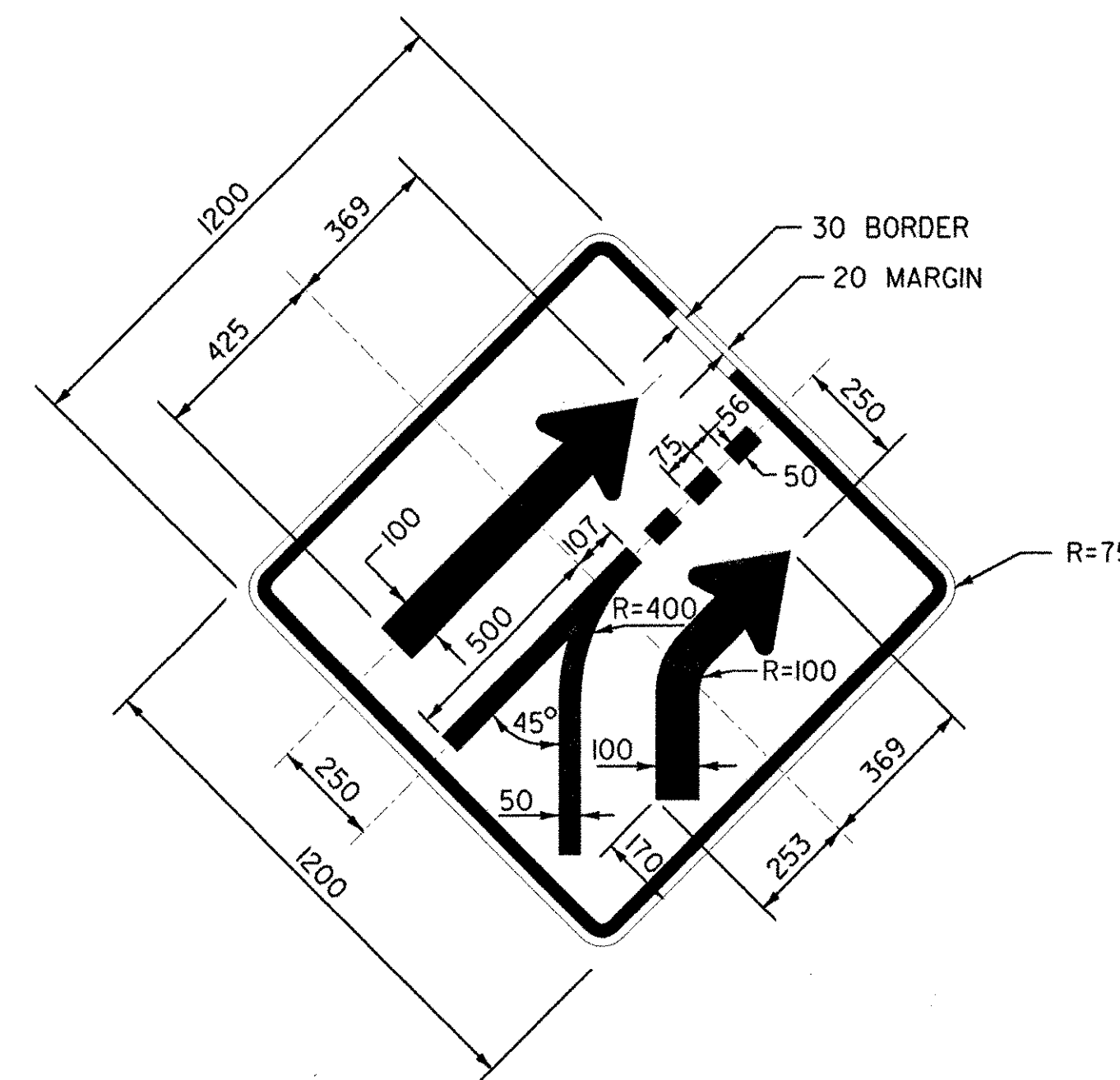
COLOR: WHITE BORDER & TEXT (REFLECTORIZED)
 GREEN BACKGROUND (REFLECTORIZED)
 BLACK TEXT (REFLECTORIZED)
 YELLOW BACKGROUND (REFLECTORIZED)

MATERIAL: PER VAOT STANDARD E-131M
 *50% REDUCTION IN SPACING
 SIGN - VT. ROUTE 279
 W.B. STA. 17+530.3, LT



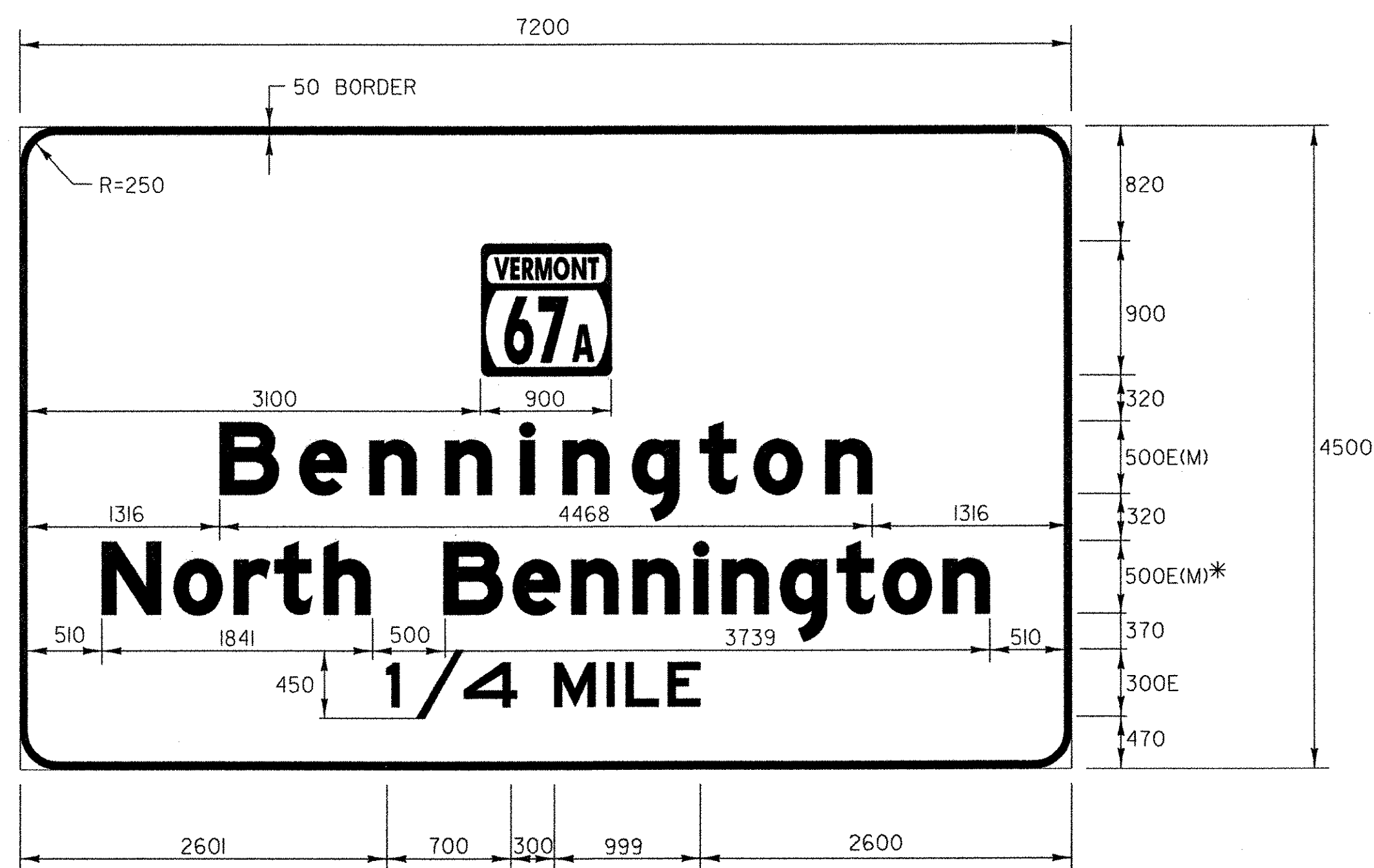
COLOR: WHITE BORDER & SYMBOL (REFLECTORIZED)
 GREEN BACKGROUND (REFLECTORIZED)

MATERIAL: PER VAOT STANDARD E-131M
 SIGN - VT ROUTE 279
 STA. 15+390.0 RT



COLOR: BLACK BORDER & SYMBOL (REFLECTORIZED)
 YELLOW BACKGROUND (REFLECTORIZED)

MATERIAL: PER VAOT STANDARD E-155M
 SIGN - RAMP E
 STA. E2+230.0 RT



COLOR: WHITE BORDER & TEXT (REFLECTORIZED)
 GREEN BACKGROUND (REFLECTORIZED)

MATERIAL: PER VAOT STANDARD E-131M
 *50% REDUCTION IN SPACING
 SIGN - VT. ROUTE 279
 W.B. STA. 17+670.0, LT

ALL DIMENSIONS IN MILLIMETERS UNLESS OTHERWISE NOTED.

TRAFFIC SIGN DETAIL SHEET

SURVEYED BY C.H.A. & V.S.E. DATE 12/93
 DESIGNED BY D.W.E. DATE 2/04
 DRAWN BY C.A.K. DATE 2/04
 CHECKED BY D.E.G. DATE 2/04

DESIGN FILE NO. TSD01.DGN
 PROJ. NAME BENNINGTON - HOOSICK
D.P.I. 0146(II) C/6
 PROJ. NO. P.I.N. 1306.60
 DWG NO. TSD-1 SHEET 50 OF 83

TEXT LAYOUT DIMENSIONS ARE BASED ON THE 'LETTER & NUMERAL WIDTHS AND SPACE' TABLES FOUND IN THE 'STANDARD HIGHWAY SIGNS' BOOKLET. MINOR VARIATIONS IN TEXT DIMENSIONS ARE ACCEPTABLE BASED ON INDIVIDUAL MANUFACTURER'S LETTER FABRICATION. SIGNIFICANT CHANGES WHICH AFFECT SIGN APPEARANCE SHALL BE BROUGHT TO THE ATTENTION OF THE VAOT'S TRAFFIC OPERATIONS SECTION BEFORE FABRICATION.

FILE NAME = u:\5116\vaot\contract6\tsd01.dgn
 DATE/TIME = 2/16/2004
 USER = 2225

DATUM	
VERTICAL	NAVD 88
HORIZONTAL	NAD 83 (1992)