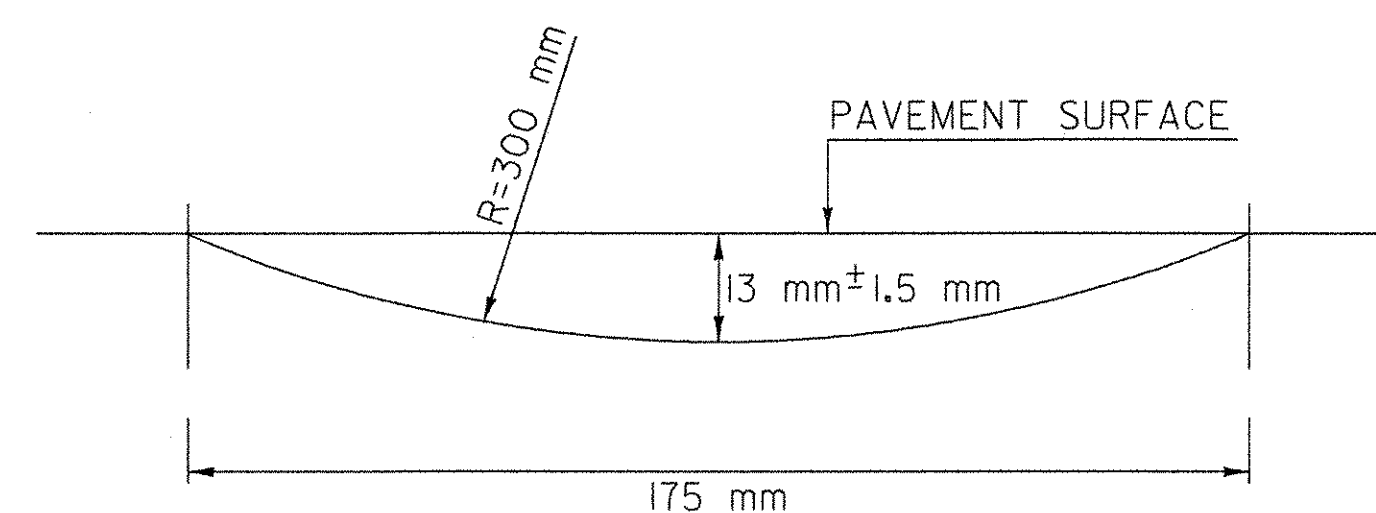
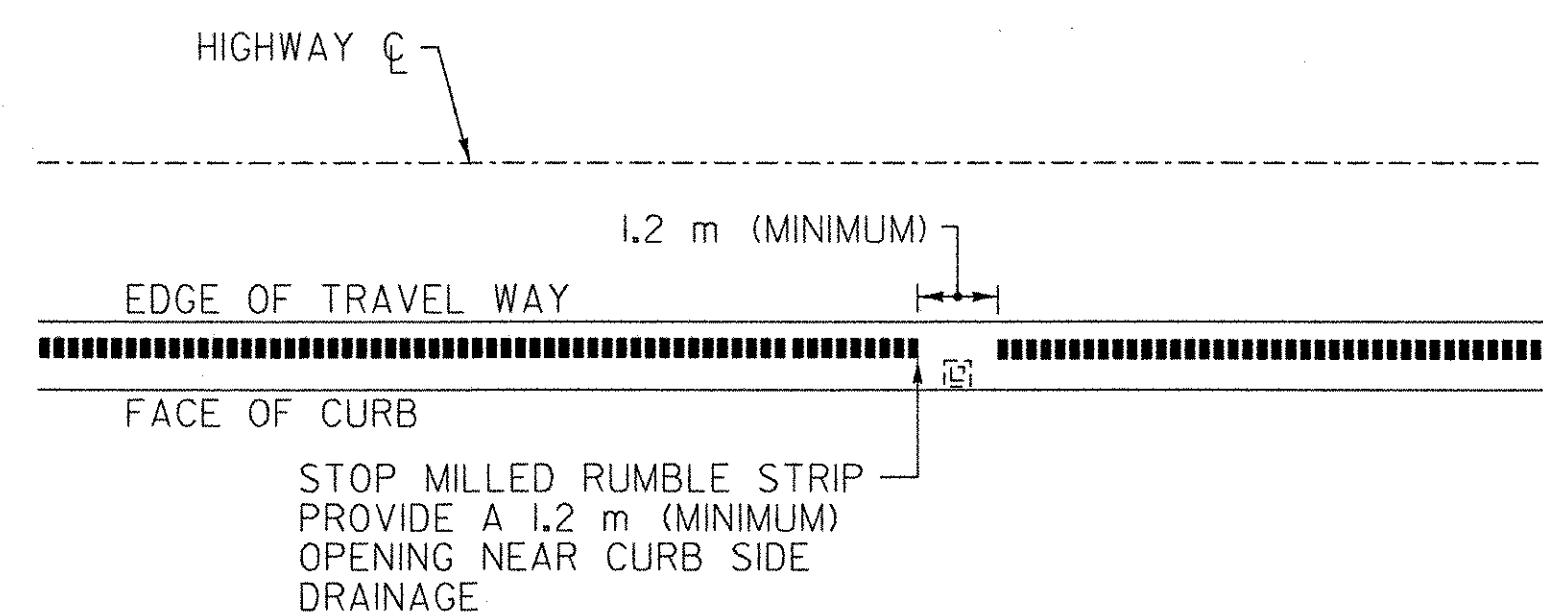


750 mm FOR ALL SHOULDERS 1.8 m WIDER. 150 mm FOR ALL SHOULDERS LESS THAN 1.8 m WIDE WITH NO GUARDRAIL.



SECTION A-A

TYPICAL MILLING DETAIL



DRAINAGE DETAIL

MILLED RUMBLE STRIP DETAIL
N.T.S.

LEGEND

■■■■■■ MILLED RUMBLE STRIPS

| | |
|------------|---------------|
| DATUM | |
| VERTICAL | NAVD 88 |
| HORIZONTAL | NAD 83 (1992) |

NOTE:

1. MILLED RUMBLE STRIPS WILL NOT BE REQUIRED IN GUARDRAIL AREAS ADJACENT TO THE 1.2 m SHOULDER.

PAVING DETAILS SHEET

| | | | |
|-----------------|---|-------|---------|
| SURVEYED BY | C.H.A. & V.S.E. | DATE | 12/93 |
| DESIGNED BY | D.W.E. | DATE | 2/04 |
| DRAWN BY | C.A.K. | DATE | 2/04 |
| CHECKED BY | D.E.G. | DATE | 2/04 |
| DESIGN FILE NO. | PTD_02.dgn | | |
| PROJ. NAME | BENNINGTON - HOOSICK D.P.I. 0146(II) C/6 | | |
| PROJ. NO. | P.I.N. 1306.60 | | |
| DWG NO. | PDT-2 | SHEET | 5 OF 83 |